



Chipsmall Limited consists of a professional team with an average of over 10 year of expertise in the distribution of electronic components. Based in Hongkong, we have already established firm and mutual-benefit business relationships with customers from,Europe,America and south Asia,supplying obsolete and hard-to-find components to meet their specific needs.

With the principle of “Quality Parts,Customers Priority,Honest Operation,and Considerate Service”,our business mainly focus on the distribution of electronic components. Line cards we deal with include Microchip,ALPS,ROHM,Xilinx,Pulse,ON,Everlight and Freescale. Main products comprise IC,Modules,Potentiometer,IC Socket,Relay,Connector.Our parts cover such applications as commercial,industrial, and automotives areas.

We are looking forward to setting up business relationship with you and hope to provide you with the best service and solution. Let us make a better world for our industry!



Contact us

Tel: +86-755-8981 8866 Fax: +86-755-8427 6832

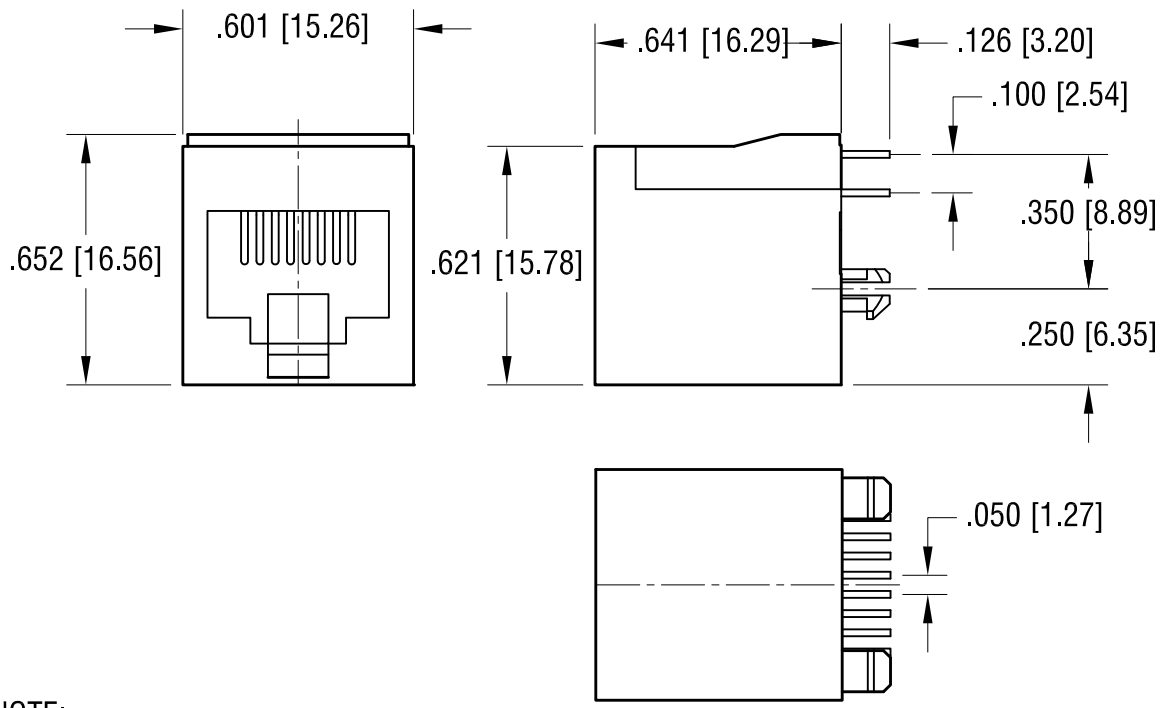
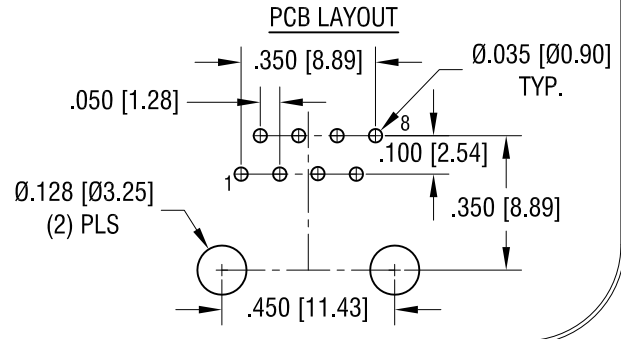
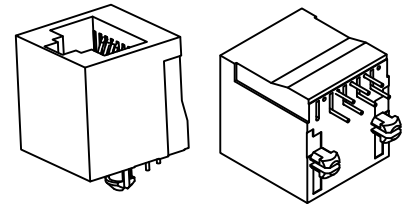
Email & Skype: info@chipsmall.com Web: www.chipsmall.com

Address: A1208, Overseas Decoration Building, #122 Zhenhua RD., Futian, Shenzhen, China



THIS DOCUMENT IS THE PROPERTY OF KEYSTONE ELECTRONICS CORP. AND SHALL NOT BE REPRODUCED, DISTRIBUTED OR USED AS A BASIS FOR MANUFACTURE WITHOUT PRIOR WRITTEN PERMISSION FROM KEYSTONE ELECTRONICS CORP.

ACTUAL SIZE



NOTE:

- 1. INSULATOR: MAT'L- THERMOPLASTIC, COLOR BLACK RATED UL 94V-0
- 2. CONTACT: MAT'L - .014 [0.35] TH'K PHOSPHOR BRONZE FINISH- GOLD PLATE, OVER NICKEL ON CONTACT TIN, OVER COPPER ON SOLDER TAILS
- 3. OPERATING VOLTAGE: 125 VAC.Rms.
CURRENT RATING- 1.5 Amps
CONTACT RESISTANCE- 40 m Ω MAX.
INSULATION RESISTANCE- 1000 M Ω MIN. @500 VDC
- 4. DIELECTRIC STRENGTH: 1000 VAC Rms 60Hz, 1Min..
- 5. STORAGE TEMPERATURE:
-40°F (-40°C) TO +176°F (+85°C)
OPERATION TEMPERATURE:
-4°F (-20°C) TO 167°F (+75°C)

| | | | |
|---|-----------------|--------------|-----------------|
| KEYSTONE ELECTRONICS CORP. | | | |
| www.keyelco.com • ASTORIA, N.Y. 11105-2017 • Tel (718) 956-8900 | | | |
| PART NAME MODULAR KEYSTONE JACK, 8P8C, VERTICAL | | | |
| MATERIAL AS NOTED | | | |
| FINISH AS NOTED | | DRN BY NT | DATE 3.07.15 |
| | | APP'D LN | SCALE 2X |
| TOLERANCES | INCH [MM] | CODE | DWG NO. |
| DECIMAL | ± .005 [± 0.13] | C | 949 |
| ANGULAR | ± 1° | | |
| UNLESS OTHERWISE SPECIFIED | | | |

| | | | |
|------|-------------|------|--|
| DATE | DESCRIPTION | REV. | |
|------|-------------|------|--|