



Chipsmall Limited consists of a professional team with an average of over 10 year of expertise in the distribution of electronic components. Based in Hongkong, we have already established firm and mutual-benefit business relationships with customers from,Europe,America and south Asia,supplying obsolete and hard-to-find components to meet their specific needs.

With the principle of "Quality Parts,Customers Priority,Honest Operation,and Considerate Service",our business mainly focus on the distribution of electronic components. Line cards we deal with include Microchip,ALPS,ROHM,Xilinx,Pulse,ON,Everlight and Freescale. Main products comprise IC,Modules,Potentiometer,IC Socket,Relay,Connector.Our parts cover such applications as commercial,industrial, and automotives areas.

We are looking forward to setting up business relationship with you and hope to provide you with the best service and solution. Let us make a better world for our industry!



Contact us

Tel: +86-755-8981 8866 Fax: +86-755-8427 6832

Email & Skype: info@chipsmall.com Web: www.chipsmall.com

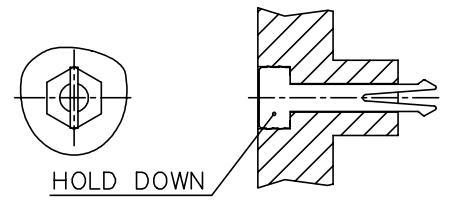
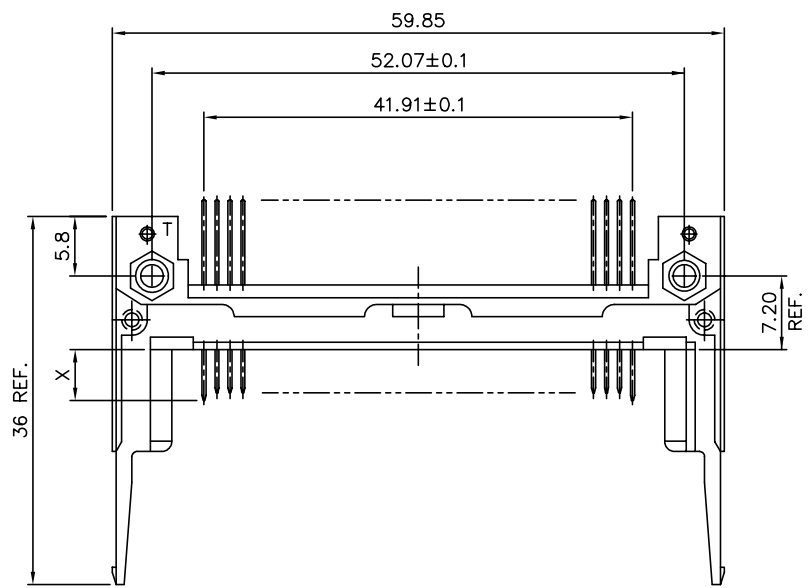
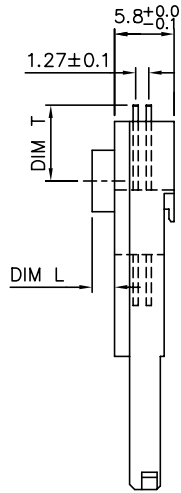
Address: A1208, Overseas Decoration Building, #122 Zhenhua RD., Futian, Shenzhen, China



FCI CONFIDENTIAL

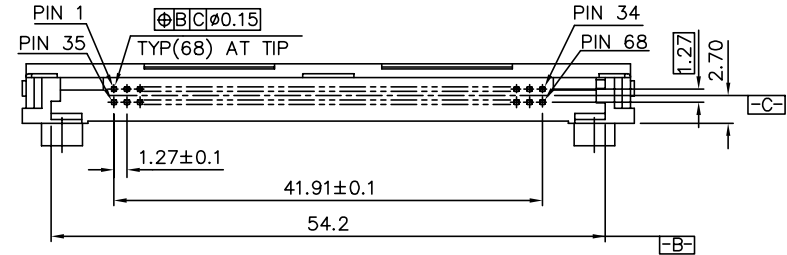


This document is the property of and embodies CONFIDENTIAL and PROPRIETARY information of FCI. No part of this information shown on this document may be used in any way or disclosed to others without the written consent of FCI.
Copyright FCI.



NOTE:
1. ADD "H" TO PART NUMBER FOR OPTIONAL HOLD DOWN (2 PER ASSEMBLY).

PRODUCT NO	DIM. L	DIM. T±0.10
94937-0051LF	5.0	0.6
94937-0100M/0100MLF	0	3.0
94937-0050H/0050HLF	5.0	0.6
94937-0200/0200LF	0	3.0
94937-0150/0150LF	5.0	0.6
94937-0100/0100LF	0	3.0
94937-1522/1522LF	0	11.6
94937-1500/1500LF	0	15.9
94937-0522/0522LF	0	9.9
94937-0022/0022LF	2.2	3.0
94937-0040/0040LF	4.0	0.6
94937-0543/0543LF	0	7.5
94937-0043/0043LF	4.3	0.6
94937-0050/0050LF/0051LF	5.0	0.6
94937-0500/0500LF	0	10.9
94937-0000/0000LF	0	0.6



DIM "X"	4.25±0.1	3.5±0.1	5.0±0.1
PIN NO.	OTHERS	36,67	1,17,34 35,51,68

- 94937-□□□□ LEAD FREE OPTION : LF
- HOLD DOWN : H
- STAND-OFF 00 : 0.0 mm
- 20 : 2.0 mm
- 22 : 2.2 mm
- 30 : 3.0 mm
- 40 : 4.0 mm
- 43 : 4.3 mm
- 50 : 5.0 mm
- UPPER DECK : 5
- LOWER DECK : 0
- LOWER DECK : 1 (FOR HOLLAND)
- LOWER DECK : 2 (FOR VGR)
- TOP MOUNT : 0
- TOP MOUNT : 1
- BOTTOM MOUNT : 5
- BOTTOM MOUNT : 6

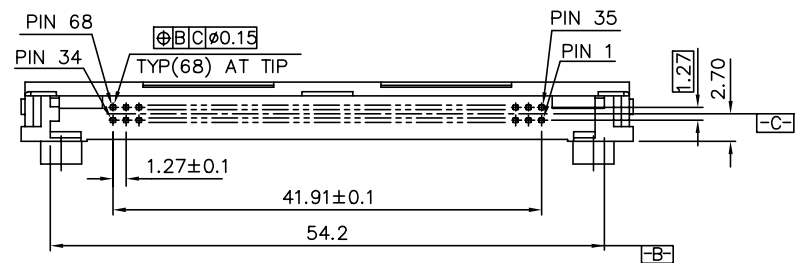
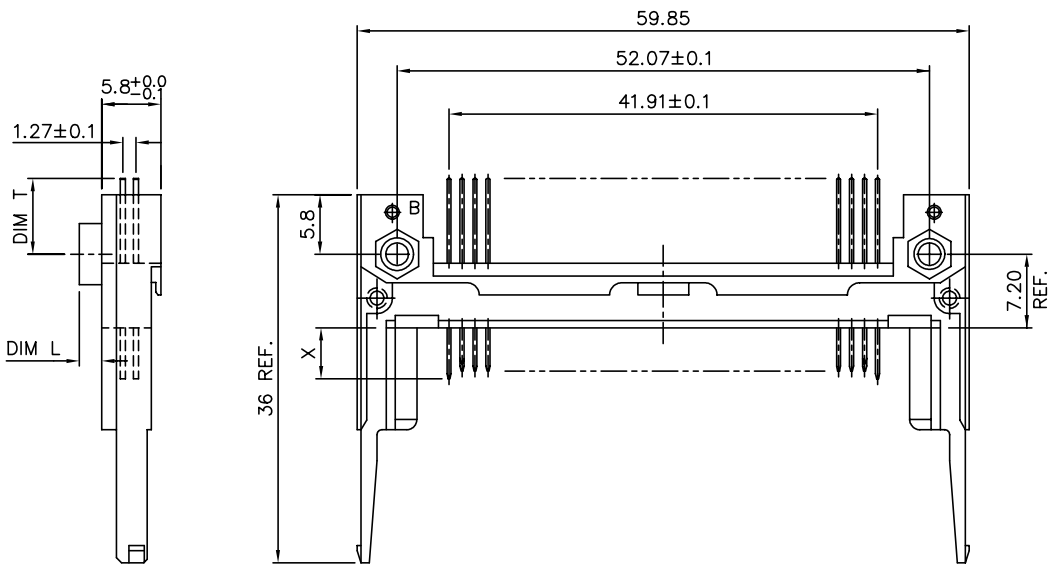
mat'l. code	surface	tolerance	projection	product family
	ISO 1302	ISO 406 ISO 1181	1181	PCMCIA
ltr ecn no dr date	tolerances unless otherwise specified		title	
Y T03-0389 WL 09/10/03	angles	linear ±0.3	MM	68 POS EJECTOR HEADER HSG
AA N04-0092 WB 12/01/04	±2'		scale 2:1	HEADER ASS'Y
AB N06-0110 MZ 07/01'06	dr	Mike Zhou 07/01'06	dwg no	sheet 1 of 2 size
AC N08-0099 MZ 05/20'08	enr	Mike Zhou 07/01'06	94937	A4
AD ELX-N-011437 ZK 04/11/12	chr	Qin David 07/01'06	type	Drawing
	app	Jack Wang 07/01'06	CUSTOMER	
sheet index	revision sheet	AD AD		
	1 2			

FCI CONFIDENTIAL

FCI

This document is the property of and embodies CONFIDENTIAL and PROPRIETARY information of FCI. No part of this information shown on this document may be used in any way or disclosed to others without the written consent of FCI.
Copyright FCI.

PRODUCT NO.	DIM "X"		
94937-****/****LF	4.25±0.1	3.5±0.1	5.0±0.1
OTHERS	36,67	1,17,34 35,51,68	



- Note:
- MATERIAL
1.1 HEADER ASS'Y:
PLASTIC :HOUSING ...HIGH TEMPERATURE THERMOPLASTIC UL94V-0 BLACK
PIN :COPPER ALLOY
 - FINISH (PIN)
UNDER PLATING :0.5 um MIN. Ni
CONTACT AREA :0.076 μm MIN. GOLD
 - SOLDER TAIL: TIN LEAD PLATING: 2.5 um MIN. Sn-Pb
LEAD FREE PLATING: 2.5 um MIN. PURE TIN
 - IF LEAD FREE P/N.THE HOUSING WILL WITHSTAND EXPOSURE TO 260°C PEAK TEMPERATURE FOR 10 SECONDS IN A WAVE SOLDER APPLICATION WITH A 1.00MM MINIMUM THICK CIRCUIT BOARD.
 - IF LEAD FREE P/N. PACKAGING MEETS GS-14-920 SPECIFICATION
 - LEAD FREE PRODUCT MEETS EUROPEAN UNION DIRECTIVES AND OTHER COUNTRY REGULATIONS AS DISCRIBLED IN GS-22-008

94937-□□□□

LEAD FREE OPTION : LF

STAND-OFF

00	: 0.0 mm
20	: 2.0 mm
22	: 2.2 mm
30	: 3.0 mm
40	: 4.0 mm
43	: 4.3 mm
50	: 5.0 mm

UPPER DECK : 5

LOWER DECK : 0

TOP MOUNT : 0

TOP MOUNT : 1

BOTTOM MOUNT : 5

BOTTOM MOUNT : 6

94937-5150/5150LF	5.0	3.0
94937-6522/6522LF	0	11.6
94937-6500/6500LF	0	15.9
94937-5522/5522LF	0	9.9
94937-5022/5022LF	2.2	3.0
94937-5543/5543LF	0	7.5
94937-5043/5043LF	4.3	0.6
94937-5050/5050LF	5.0	0.6
94937-5500/5500LF	0	10.9
94937-5000/5000LF	0	0.6
PRODUCT NO	DIM. L	DIM. T±0.10

6. PRODUCT SPEC:110-263

mat'l. code	surface ISO 1302	tolerance ISO 406	projection ISO 1181	product family PCMCIA
ltr ecn no dr date	tolerances unless otherwise specified			title
AD	angles	linear ±0.3	MM	68 POS EJECTOR HEADER HSG HEADER ASS'Y
	±2'		scale 2:1	
dr	Mike Zhou	07/01'06	FCI	dwg no
enr	Mike Zhou	07/01'06		94937
chr	Qin David	07/01'06		sheet 2 of 2
appd	Jack Wang	07/01'06		size A4
sheet index	revision sheet			type CUSTOMER Drawing