



Chipsmall Limited consists of a professional team with an average of over 10 year of expertise in the distribution of electronic components. Based in Hongkong, we have already established firm and mutual-benefit business relationships with customers from,Europe,America and south Asia,supplying obsolete and hard-to-find components to meet their specific needs.

With the principle of “Quality Parts,Customers Priority,Honest Operation,and Considerate Service”,our business mainly focus on the distribution of electronic components. Line cards we deal with include Microchip,ALPS,ROHM,Xilinx,Pulse,ON,Everlight and Freescale. Main products comprise IC,Modules,Potentiometer,IC Socket,Relay,Connector.Our parts cover such applications as commercial,industrial, and automotives areas.

We are looking forward to setting up business relationship with you and hope to provide you with the best service and solution. Let us make a better world for our industry!



Contact us

Tel: +86-755-8981 8866 Fax: +86-755-8427 6832

Email & Skype: info@chipsmall.com Web: www.chipsmall.com

Address: A1208, Overseas Decoration Building, #122 Zhenhua RD., Futian, Shenzhen, China

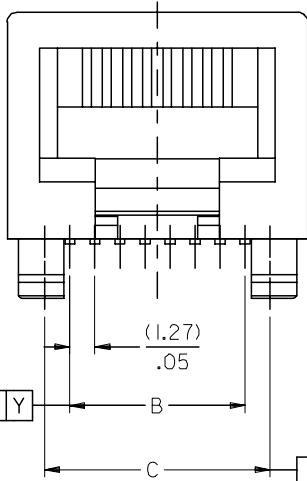
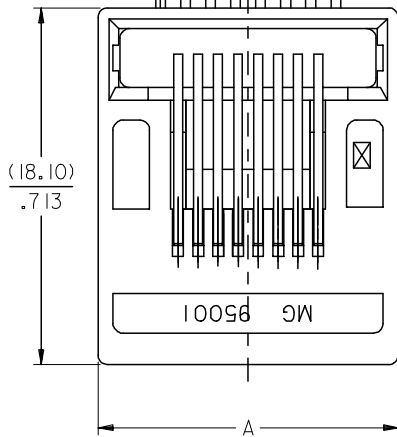


6 & 8 VERSIONS

8 VERSION SHOWN

CIRCUIT I
(8 CKTS VERSION)

CIRCUIT I
(6 CKTS VERSION)



$\equiv (\varnothing .10) / .004 Y$

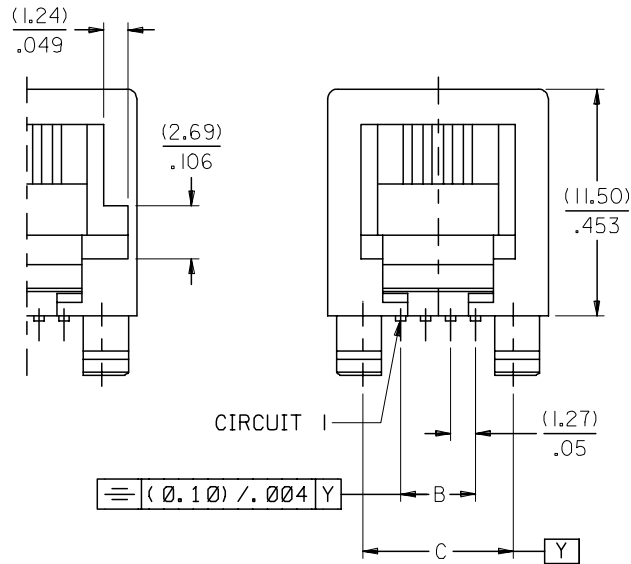
NOTES :

1- MATERIAL:

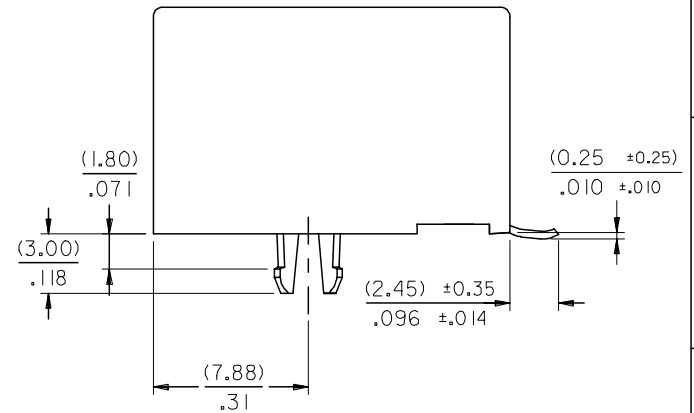
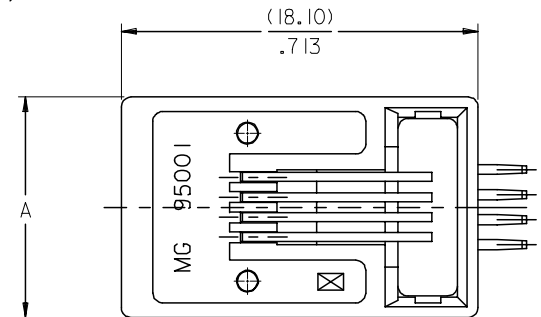
-HOUSING: POLYAMIDE 4/6 FIBER GLASS FILLED UL 94-V0,
COLOR GREY.
SPECIAL VERSION COLOR BLACK

2- SEE OTHER NOTES SHEET 1

OPTIONAL KEYING



4 VERSION ONLY



EC NO: MG2005-0106 2004/10/12 DRAWN: MARTIN 2004/10/12 CHKD: FCARABET 2004/10/12 APPR: KNOLLER 2004/10/13	QUALITY SYMBOLS ▽=0 ▽=0	GENERAL TOLERANCES (UNLESS SPECIFIED)		DIMENSION STYLE MM/IN	SCALE 4:1	DESIGN UNITS METRIC	THIRD ANGLE PROJECTION	
		4 PLACES ± --- ± --- 3 PLACES ± --- ± .006 2 PLACES ± 0.15 ± .010 1 PLACE ± 0.25 ± --- ANGULAR ± ---°	mm INCH FB 1993/02/24 ER 1993/02/24 JB 1993/02/24	DRAWN BY DATE FB 1993/02/24 CHECKED BY DATE ER 1993/02/24 APPROVED BY DATE JB 1993/02/24		TITLE R/A LOW PROFILE PC JACK 4,6,8 CKTS SIZE SMT VERSION		MOLEX INCORPORATED
DRAFT WHERE APPLICABLE MUST REMAIN WITHIN DIMENSIONS		MATERIAL NO. SEE CHART SHEETS 4,5&6		DOCUMENT NO. SDA-95001		SHEET NO. 2 OF 9		
THIS DRAWING CONTAINS INFORMATION THAT IS PROPRIETARY TO MOLEX INCORPORATED AND SHOULD NOT BE USED WITHOUT WRITTEN PERMISSION								

SPECIAL PACKAGING TUBE, SEE PACKAGING SPEC PK95001 SHEET 3

PART NO FOR JACK ASSEMBLY
STANDARD VERSION

PART NO FOR JACK ASSEMBLY
S.M.T. VERSION

HOUSING SIZE	LOADED CONTACTS	PLATING	POLYESTER FIBER GLASS FILED 94V0, COLOR BLACK.							POLYAMIDE 4/6 FIBER GLASS FILED 94V0 COLOR GREY							SPECIAL VERSION					
			NO KEY		TOOLED	KEY		TOOLED	TOOLED	TOOLED	NO KEY		TOOLED	KEY		TOOLED	NOT KEY		TOOLED	POLYESTER BLACK LOW TEMP.		
			NOT RIBBED	TOOLED		NOT RIBBED	TOOLED				NOT RIBBED	TOOLED		NOT RIBBED	TOOLED		NOT RIBBED	TOOLED		NOT RIBBED	TOOLED	NOT RIBBED
4	4	2	95001-2401	X	95001-2402					95001-6441	X	95001-6442		95001-6449	X							
		7	95001-4401	X																		
6	4	2	95001-2601	X	95001-2602					95001-6641	X	95001-6642		95001-6649	X							
6	6	2	95001-2611	X	95001-2612					95001-6661	X	95001-6662		95001-6669	X							
		7	95001-4611	X																		
8	4	2	95001-2801		95001-2802					95001-6841		95001-6842		95001-6849						95001-2843	X	
8	6	2	95001-2811	X	95001-2812					95001-6861	X	95001-6862		95001-6869	X					95001-2863	X	
8	8	2	95001-2821	X	95001-2822	X				95001-6881	X	95001-6882	X	95001-6889	X							

EC NO: MG2005-0106 DRAWN: MARTIN 2004/10/12 CHKD: FCARABET 2004/10/12 APPR: KNOLLER 2004/10/13	QUALITY SYMBOLS ▽=0 ▽=0	GENERAL TOLERANCES (UNLESS SPECIFIED)		DIMENSION STYLE MM ONLY	SCALE ---	DESIGN UNITS METRIC	THIRD ANGLE PROJECTION			
				mm	INCH					
		4 PLACES	±---	±---						
		3 PLACES	±---	±---						
		2 PLACES	±---	±---						
		1 PLACE	±---	±---						
		ANGULAR ±---°								
		DRAFT WHERE APPLICABLE MUST REMAIN WITHIN DIMENSIONS		SEE CHART		MOLEX INCORPORATED				
				MATERIAL NO. JB		DATE 1993/10/05		DOCUMENT NO. SDA-95001		
				SIZE A3		THIS DRAWING CONTAINS INFORMATION THAT IS PROPRIETARY TO MOLEX INCORPORATED AND SHOULD NOT BE USED WITHOUT WRITTEN PERMISSION		SHEET NO. 6 OF 9		