



Chipsmall Limited consists of a professional team with an average of over 10 year of expertise in the distribution of electronic components. Based in Hongkong, we have already established firm and mutual-benefit business relationships with customers from,Europe,America and south Asia,supplying obsolete and hard-to-find components to meet their specific needs.

With the principle of “Quality Parts,Customers Priority,Honest Operation,and Considerate Service”,our business mainly focus on the distribution of electronic components. Line cards we deal with include Microchip,ALPS,ROHM,Xilinx,Pulse,ON,Everlight and Freescale. Main products comprise IC,Modules,Potentiometer,IC Socket,Relay,Connector.Our parts cover such applications as commercial,industrial, and automotives areas.

We are looking forward to setting up business relationship with you and hope to provide you with the best service and solution. Let us make a better world for our industry!



Contact us

Tel: +86-755-8981 8866 Fax: +86-755-8427 6832

Email & Skype: info@chipsmall.com Web: www.chipsmall.com

Address: A1208, Overseas Decoration Building, #122 Zhenhua RD., Futian, Shenzhen, China



NOTES :

1- MATERIAL:

- HOUSING: POLYESTER FIBER GLASS FILLED UL 94-V0 COLOR BLACK.
- TERMINAL: PHOSPHOR BRONZE.

PLATING 2:

POST PLATE (0.00127-0.00152)/.000050-.000060 GOLD IN CONTACT AREA. (0.00190)/.000075 MIN. PURE TIN IN TAIL AREA BOTH OVER (0.00127)/.000050 MIN. NICKEL OVERALL.

PLATING 7: ONLY ON REQUEST

POST PLATE 0.00005/.000002 MIN GOLD OVER 0.000763 .000030 MIN PALLADIUM NICKEL IN CONTACT AREA. 0.00190/.000075 MIN PURE TIN IN TAIL AREA. BOTH OVER 0.00127/.000050 MIN NICKEL OVERALL:

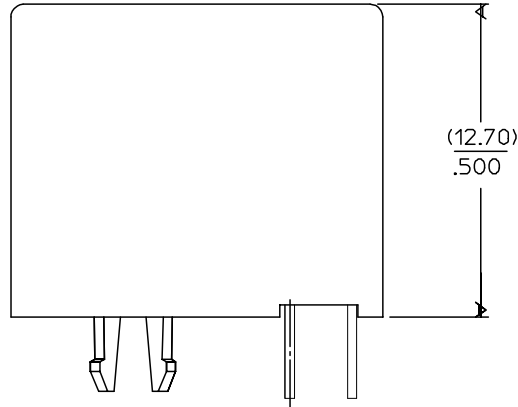
2- JACK FOR MATING WITH F.C.C. 68 PLUGS 90075 MOLEX SERIES.

3- PRODUCT SPECIFICATION PS-95003.

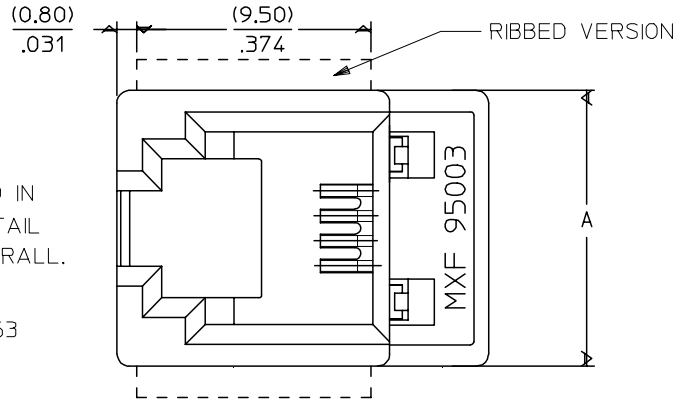
4- APPLICATION SPECIFICATION AS-95001.

5- PACKAGING SPECIFICATION PK-95003:

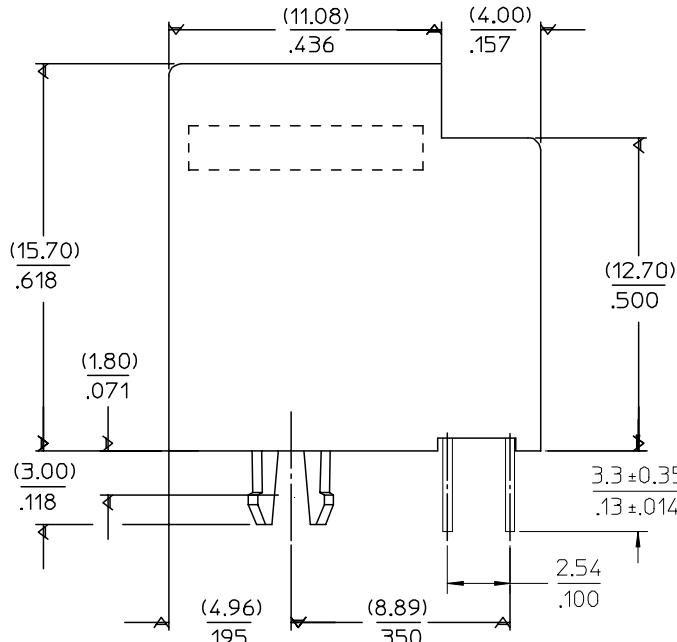
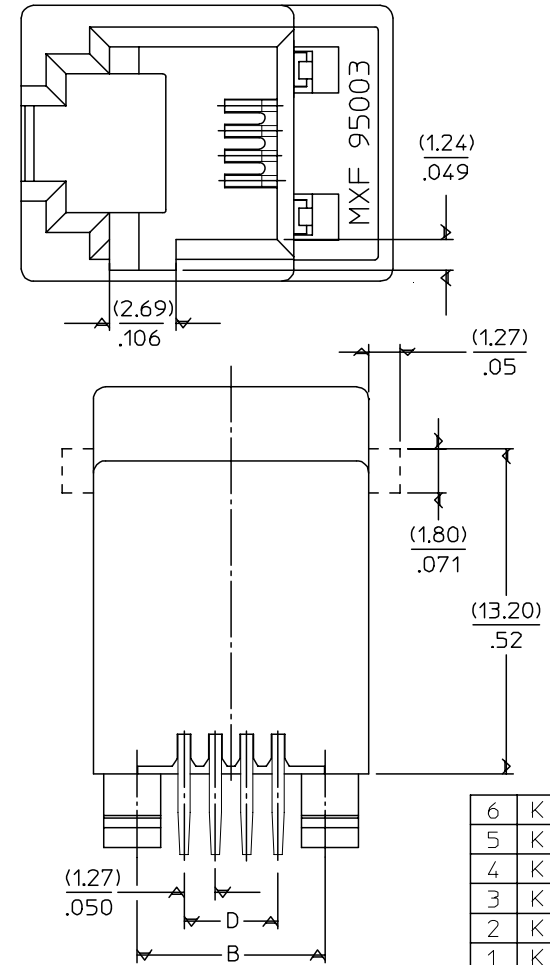
- STANDARD PACKAGING SHEET 1.
- TUBE PACKAGING FOR SMT VERSION SHEET 2.
- TUBE PACKAGING FOR THROUGH HOLE VERSION SHEET 3.



SHORT VERSION



OPTIONAL KEYING



6	K
5	K
4	K
3	K
2	K
1	K

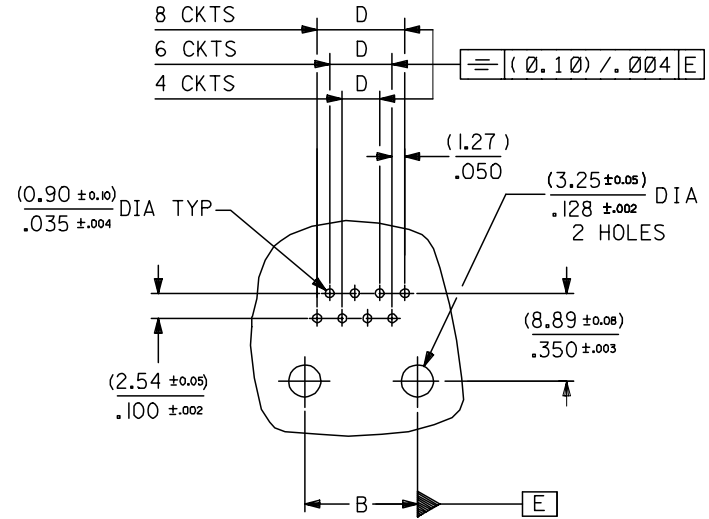
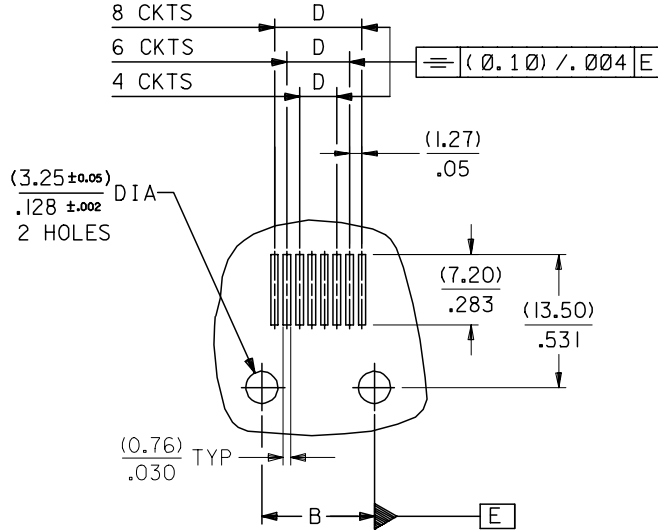
ENTER DESCRIPTION EC NO: MG2005-0119 DRAWN:KNOLLER 2004/10/06 CHKD:FCARABET 2004/10/06 APPR:KNOLLER 2004/10/11	QUALITY SYMBOLS ▽=0 ▽=0	GENERAL TOLERANCES (UNLESS SPECIFIED) 4 PLACES ± --- ± --- 3 PLACES ± --- ± .006 2 PLACES ± 0.15 ± .010 1 PLACE ± 0.25 ± --- ANGULAR ± .5 °	DIMENSION STYLE MM/IN	SCALE 5:1	DESIGN UNITS METRIC	THIRD ANGLE PROJECTION
	DRAWN BY GP	DATE 95/05/15	TITLE LOW PROFILE TOP ENTRY JACK (THROUGH HOLE VERSION)	APPROVED BY DATE 95/05/15	MOLEX INCORPORATED	SHEET NO. 1 OF 6
	MATERIAL NO. SEE SHT 4,5,6	DOCUMENT NO. SDA-95003-F	DRAFT WHERE APPLICABLE MUST REMAIN WITHIN DIMENSIONS			
	THIS DRAWING CONTAINS INFORMATION THAT IS PROPRIETARY TO MOLEX INCORPORATED AND SHOULD NOT BE USED WITHOUT WRITTEN PERMISSION					

DIM. \ TYPE	POS. 4		POS. 6		POS. 8	
	4 CKTS.	4 CKTS.	6 CKTS.	4 CKTS.	6 CKTS.	8 CKTS.
A	(11.18) / .440	(13.21) / .520	(13.21) / .520	(15.24) / .600	(15.24) / .600	(15.24) / .600
B (± 0.05) / ± 0.002	(7.62) / .300	(10.16) / .400	(10.16) / .400	(11.43) / .450	(11.43) / .450	(11.43) / .450
D (± 0.05) / ± 0.002	(3.81) / .150	(3.81) / .150	(6.35) / .250	(3.81) / .150	(6.35) / .250	(8.89) / .350

P.C.B. MOUNTING PATTERNS - SEE FROM COMPONENT SIDE

FOR SMT JACK (SURFACE MOUNT)

FOR STANDARD JACK (THROUGH HOLE)



ENTER DESCRIPTION	2004/10/06
EC NO: MG2005-0119	2004/10/06
DRWN:KNOLLER	2004/10/06
CHKD:FCARABET	2004/10/06
APPR:KNOLLER	2004/10/11
REV	DESCRIPTION
K	

QUALITY SYMBOLS
▽=0
▽C=0

GENERAL TOLERANCES (UNLESS SPECIFIED)	
	MM
	INCH
4 PLACES	± ---
3 PLACES	± ---
2 PLACES	± 0.15
1 PLACE	± 0.25
ANGULAR ± .5 °	
DRAFT WHERE APPLICABLE MUST REMAIN WITHIN DIMENSIONS	

DIMENSION STYLE	
MM/IN	
DRAWN BY	DATE
GP	95/05/15
CHECKED BY	DATE
APPROVED BY	DATE
MATERIAL NO.	DOCUMENT NO.
SEE SHT. 4, 5	SDA-95003-F

SCALE	DESIGN UNITS	THIRD ANGLE PROJECTION
2:1	METRIC	
TITLE		
LOW PROFILE T/E JACK		
MOLEX INCORPORATED		
DOCUMENT NO.		SHEET NO.
SDA-95003-F		3 OF 6
THIS DRAWING CONTAINS INFORMATION THAT IS PROPRIETARY TO MOLEX INCORPORATED AND SHOULD NOT BE USED WITHOUT WRITTEN PERMISSION		

TRAY PACKAGING, SEE PACKAGING SPEC PK95003 SHEET 1

HOUSING SIZE	LOADED CONTACTS	PLATING	PART NO FOR JACK ASSEMBLY THROUGH HOLE STANDARD VERSION					PART NO FOR JACK ASSEMBLY THROUGH HOLE SHORT VERSION					PART NO FOR JACK ASSEMBLY S.M.T. SHORT VERSION						
			POLYESTER FIBER GLASS FILED 94VO COLOR BLACK					POLYESTER FIBER GLASS FILED 94VO COLOR BLACK					POLYAMIDE 4/6 FIBER GLASS FILED 94VO COLOR GREY					POLYAMIDE 4/6 FIBER GLASS FILED 94VO COLOR BLACK	
			NO KEY	KEY			NO KEY	KEY			NO KEY	KEY			NO KEY	KEY			
			NO RIB	NO RIB	TOOLED	TOOLED	NO RIB	NO RIB	TOOLED	TOOLED	NO RIB	NO RIB	TOOLED	TOOLED	NO RIB	NO RIB	TOOLED	TOOLED	TOOLED
4	4	2	95003-2441	X	95003-2442		95003-2444		95003-2445		95003-6444		95003-6445		95003-6454		95003-6455		
6	4	2	95003-2641	X	95003-2642		95003-2644		95003-2645		95003-6644		95003-6645		95003-6654		95003-6655		
6	6	2	95003-2661	X	95003-2662		95003-2664	X	95003-2665		95003-6664	X	95003-6665		95003-6674	X	95003-6675		
8	4	2	95003-2841		95003-2842		95003-2844		95003-2845		95003-6844		95003-6845		95003-6854		95003-6855		
8	6	2	95003-2861		95003-2862		95003-2864		95003-2865		95003-6864		95003-6865		95003-6874		95003-6875		
8	8	2	95003-2881	X	95003-2882	X	95003-2884		95003-2885		95003-6884		95003-6885		95003-6894		95003-6895		

TOOLED	<input checked="checked" type="checkbox"/>
NOT TOOLED	<input type="checkbox"/>

ENTER DESCRIPTION EC NO: MG2005-0119 DRAWN: KNOLLER 2004/10/06 CHKD: FCARABET 2004/10/06 APPR: KNOLLER 2004/10/11	QUALITY SYMBOLS ▽=0 ▽=0	GENERAL TOLERANCES (UNLESS SPECIFIED) <table border="1" style="width: 100%; border-collapse: collapse;"> <tr> <td></td> <td>mm</td> <td>INCH</td> </tr> <tr> <td>4 PLACES</td> <td>± ---</td> <td>± ---</td> </tr> <tr> <td>3 PLACES</td> <td>± ---</td> <td>± ---</td> </tr> <tr> <td>2 PLACES</td> <td>± ---</td> <td>± ---</td> </tr> <tr> <td>1 PLACE</td> <td>± ---</td> <td>± ---</td> </tr> <tr> <td colspan="3" style="text-align: center;">ANGULAR ± ---°</td> </tr> </table>		mm	INCH	4 PLACES	± ---	± ---	3 PLACES	± ---	± ---	2 PLACES	± ---	± ---	1 PLACE	± ---	± ---	ANGULAR ± ---°			DIMENSION STYLE MM/IN	SCALE ---	DESIGN UNITS METRIC	THIRD ANGLE PROJECTION
	mm	INCH																						
4 PLACES	± ---	± ---																						
3 PLACES	± ---	± ---																						
2 PLACES	± ---	± ---																						
1 PLACE	± ---	± ---																						
ANGULAR ± ---°																								
DRAFT WHERE APPLICABLE MUST REMAIN WITHIN DIMENSIONS		DRAWN BY: GP DATE: 95/05/15	CHECKED BY: _____ DATE: _____	TITLE LOW PROFILE T/E JACK THROUGH HOLE STD. VERS. THROUGH H. SMT SHORT V.			APPROVED BY: _____ DATE: _____																	
MATERIAL NO. _____		DOCUMENT NO. SDA-95003-F		SHEET NO. 4 OF 6																				
SEE CHART THIS DRAWING CONTAINS INFORMATION THAT IS PROPRIETARY TO MOLEX INCORPORATED AND SHOULD NOT BE USED WITHOUT WRITTEN PERMISSION																								