



Chipsmall Limited consists of a professional team with an average of over 10 year of expertise in the distribution of electronic components. Based in Hongkong, we have already established firm and mutual-benefit business relationships with customers from,Europe,America and south Asia,supplying obsolete and hard-to-find components to meet their specific needs.

With the principle of “Quality Parts,Customers Priority,Honest Operation,and Considerate Service”,our business mainly focus on the distribution of electronic components. Line cards we deal with include Microchip,ALPS,ROHM,Xilinx,Pulse,ON,Everlight and Freescale. Main products comprise IC,Modules,Potentiometer,IC Socket,Relay,Connector.Our parts cover such applications as commercial,industrial, and automotives areas.

We are looking forward to setting up business relationship with you and hope to provide you with the best service and solution. Let us make a better world for our industry!



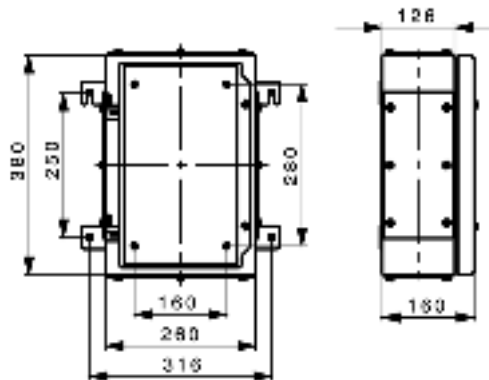
## Contact us

Tel: +86-755-8981 8866 Fax: +86-755-8427 6832

Email & Skype: info@chipsmall.com Web: www.chipsmall.com

Address: A1208, Overseas Decoration Building, #122 Zhenhua RD., Futian, Shenzhen, China





#### General ordering data

Order No.	9507750000
Part designation	NexT 38/26/16 2gp 7032
Version	Ex enclosure, 160 mm, 380 mm, 260 mm, Sheet steel 1.5 mm (16 SWG)
EAN	4008190480332
Qty.	1 pc(s).

#### Dimensions

Fixing dimension, height	250 mm
Fixing dimension, width	316 mm
Height	160 mm
Length	380 mm
Width	260 mm

#### General details

Cover fixing	Removable cover + M6 screws
Enclosure fixing	Outside mounting with 10 mm holes
Integral fixing	4 x 10 mm spacers
Sealing material	Chloroprene (cover & flange)
Version cover	closed
Colour	RAL 7032 - pebble grey
Surface finish	RAL 7032, textured
Class of protection to EN 60529	IP 66
Weight	7,000 g
Ambient temperature, min.	-40 °C
Ambient temperature, max.	85 °C

#### Screwed cable glands top/bottom

M 12	38
M 16	24
M 20	14
M 25	6
M 32	4
M 40	3

**Screwed cable glands top/bottom**

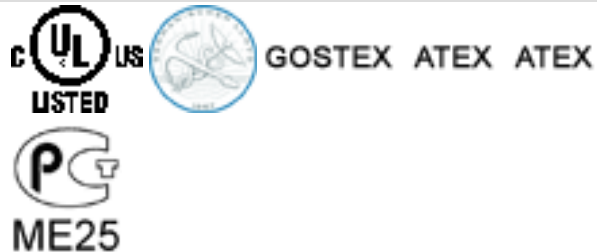
M 50	2
Side of enclosure	Top / Bottom

**Screwed cable glands, left/right**

M12	38
M16	24
M20	14
M25	6
M32	4
M40	3
M50	2
On housing side	left / right

**Approvals**

Approvals institutes

**Classifications**

ETIM 2.0	EC000049
ETIM 3.0	EC000049
eClass 4.1	27-14-12-06
eClass 5.0	27-18-05-02
eClass 5.1	27-18-05-02

**Similar products**

Order No.	Part designation	Version
9523600000	NexT 38/26/16 0gp 7032	Ex enclosure, 160 mm, 380 mm, 260 mm, Sheet steel 1.5 mm (16 SWG)
9523460000	NexT 38/26/16 0gp ss	Ex enclosure, 160 mm, 380 mm, 260 mm, Stainless steel 1.4404
9522900000	NexT 38/26/16 1gp 7032	Ex enclosure, 160 mm, 380 mm, 260 mm, Sheet steel 1.5 mm (16 SWG)
9522620000	NexT 38/26/16 1gp ss	Ex enclosure, 160 mm, 380 mm, 260 mm, Stainless steel 1.4404
9508560000	NexT 38/26/16 2gp ss	Ex enclosure, 160 mm, 380 mm, 260 mm, Stainless steel 1.4404
9523040000	NexT 38/26/16 3gp 7032	Ex enclosure, 160 mm, 380 mm, 260 mm, Sheet steel 1.5 mm (16 SWG)
9522760000	NexT 38/26/16 3gp ss	Ex enclosure, 160 mm, 380 mm, 260 mm, Stainless steel 1.4404
9507820000	NexT 38/26/16 4gp 7032	Ex enclosure, 160 mm, 380 mm, 260 mm, Sheet steel 1.5 mm (16 SWG)
9508630000	NexT 38/26/16 4gp ss	Ex enclosure, 160 mm, 380 mm, 260 mm, Stainless steel