



Chipsmall Limited consists of a professional team with an average of over 10 year of expertise in the distribution of electronic components. Based in Hongkong, we have already established firm and mutual-benefit business relationships with customers from,Europe,America and south Asia,supplying obsolete and hard-to-find components to meet their specific needs.

With the principle of "Quality Parts,Customers Priority,Honest Operation,and Considerate Service",our business mainly focus on the distribution of electronic components. Line cards we deal with include Microchip,ALPS,ROHM,Xilinx,Pulse,ON,Everlight and Freescale. Main products comprise IC,Modules,Potentiometer,IC Socket,Relay,Connector.Our parts cover such applications as commercial,industrial, and automotives areas.

We are looking forward to setting up business relationship with you and hope to provide you with the best service and solution. Let us make a better world for our industry!



Contact us

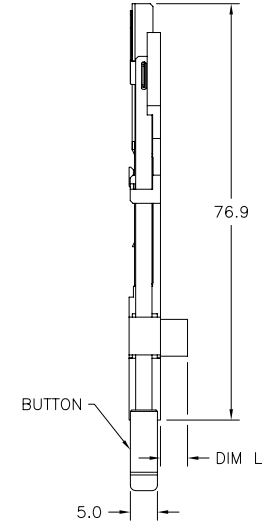
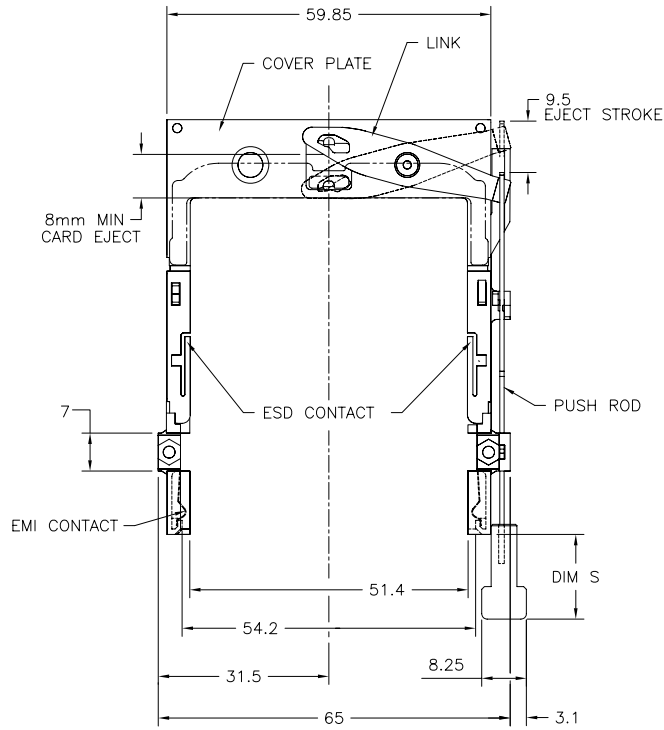
Tel: +86-755-8981 8866 Fax: +86-755-8427 6832

Email & Skype: info@chipsmall.com Web: www.chipsmall.com

Address: A1208, Overseas Decoration Building, #122 Zhenhua RD., Futian, Shenzhen, China

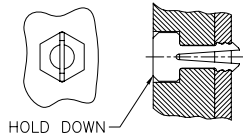


PRODUCT NO. NOTE ⑤	STAND-OFF DIM L	DIM S	BUTTON COLOR
95079-00CA	0	13	BLACK
95079-00CALF	0		
95079-02CA	2		
95079-02CALF	2		
95079-04CA	4		
95079-05CA	5		
95079-00DA	0	15.6	BLACK
95079-02DA	2		
95079-04DA	4		
95079-05DA	5		
95079-00FA	0	21	BLACK
95079-02FA	2		
95079-04FA	4		
95079-05FA	5		
95079-00CH	0	13	NATURAL
95079-02CH	2		
95079-04CH	4		
95079-05CH	5		
95079-00DH	0		
95079-02DH	2		
95079-04DH	4		
95079-05DH	5		
95079-00FH	0	21	NATURAL
95079-02FH	2		
95079-04FH	4		
95079-05FH	5		



NOTES:

- EJECT PLATE TO MOVE ALONG INSIDE WALL OF COVER PLATE SMOOTHLY AFTER ASSEMBLING WITH HEADER.
- MATERIAL:
PLASTIC GUIDES: POLYPHTHARAMIDE UL94V-0 BLACK
COVER PLATE: STAINLESS STEEL
EMI CONTACT: PHOSPHOR BRONZE
- FINISH:
EMI CONTACT:
CONTACT AREA: 0.5um Au
UNDER PLATING: 2.0um Ni
- ADD "H" TO PART NUMBER FOR OPTIONAL HOLD DOWN (2 PER ASSEMBLY).



- RECOMMENDED SCREW TORQUE: 1.0 TO 1.5 MAX in-lbs. (1.2-1.7 cm-kgs).

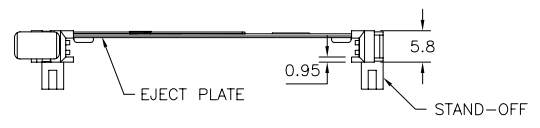
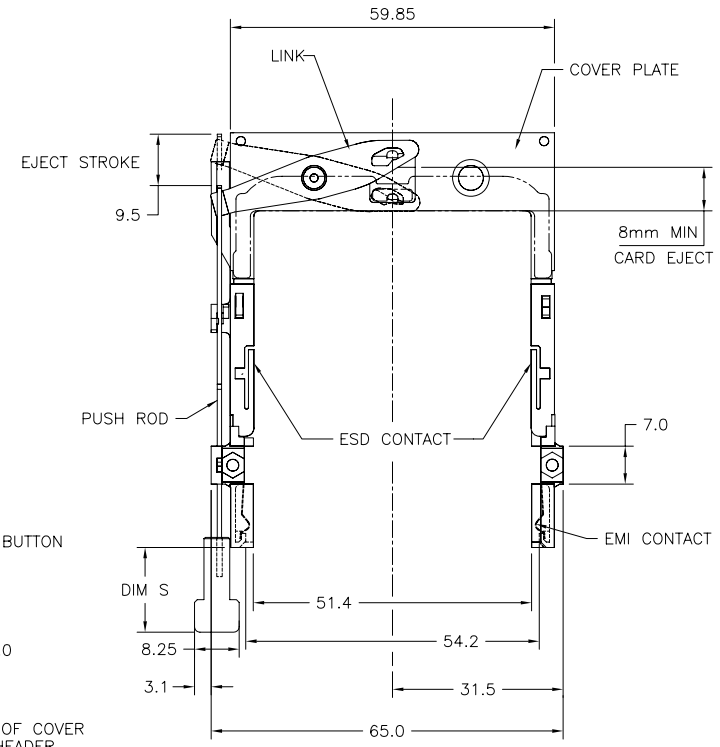
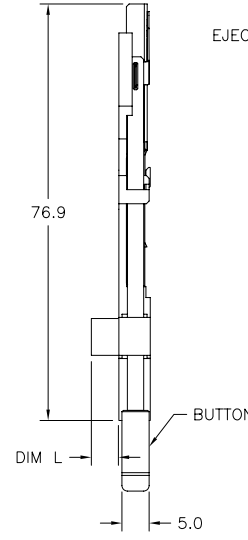
mat'l. code		surface		tolerance		projection		product family	
ltr	ecn no	dr	date	tolerances unless otherwise specified		MM		title	
F	v91417	CGC	7/2/99	angles	linear	±0.15		NARROW BODY FRONT EJECT TYPE 123 MECHANISM ASS'Y	
G	v03-0522	WL	05/29/03			scale			
H	T03-0485	WL	11/03/03						
J	N06-0034	M Z	02/13/06	dr	Mike Zhou	05/25/06		dwg no	
K	N06-0135	M Z	05/25/06	enrg	Mike Zhou	05/25/06		sheet 1 of 3	
L	N06-0110	M Z	06/29/06	chr	Mike Zhou	05/25/06		size	
M	ELX-N-18397	HJ	07/30/14	appd	Qin David	05/25/06		A4	
sheet		revision		M	M			type	
index		sheet		1	2	3		CUSTOMER Drawing	

FCI CONFIDENTIAL

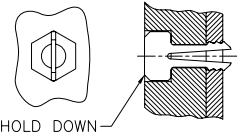


This document is the property of and embodies CONFIDENTIAL and PROPRIETARY information of FCI. No part of the information shown on this document may be used in any way or disclosed to others without the written consent of FCI. Copyright FCI.

PRODUCT NO. NOTE ⑤	STAND-OFF DIM L	DIM S	BUTTON COLOR
95079-10CA	0	13	BLACK
95079-10CALF	0		
95079-12CA	2		
95079-14CA	4		
95079-15CA	5		
95079-15CAH	5		
95079-10DA	0	15.6	BLACK
95079-12DA	2		
95079-14DA	4		
95079-15DA	5		
95079-10FA	0	21	BLACK
95079-12FA	2		
95079-14FA	4		
95079-15FA	5		
95079-10CH	0	13	NATURAL
95079-12CH	2		
95079-14CH	4		
95079-15CH	5		
95079-10DH	0	15.6	NATURAL
95079-12DH	2		
95079-14DH	4		
95079-15DH	5		
95079-10FH	0	21	NATURAL
95079-12FH	2		
95079-14FH	4		
95079-15FH	5		



- NOTES:
- EJECT PLATE TO MOVE ALONG INSIDE WALL OF COVER PLATE SMOOTHLY AFTER ASSEMBLING WITH HEADER.
 - MATERIAL:
PLASTIC GUIDES: POLYPHTHARAMIDE UL94V-0 BLACK
COVER PLATE: STAINLESS STEEL
EMI CONTACT: PHOSPHOR BRONZE
 - FINISH:
EMI CONTACT:
CONTACT AREA: 0.5um Au
UNDER PLATING: 2.0um Ni
 - ADD "H" TO PART NUMBER FOR OPTIONAL HOLD DOWN (2 PER ASSEMBLY).



- RECOMMENDED SCREW TORQUE: 1.0 TO 1.5 MAX in-lbs. (1.2-1.7 cm-kgs).

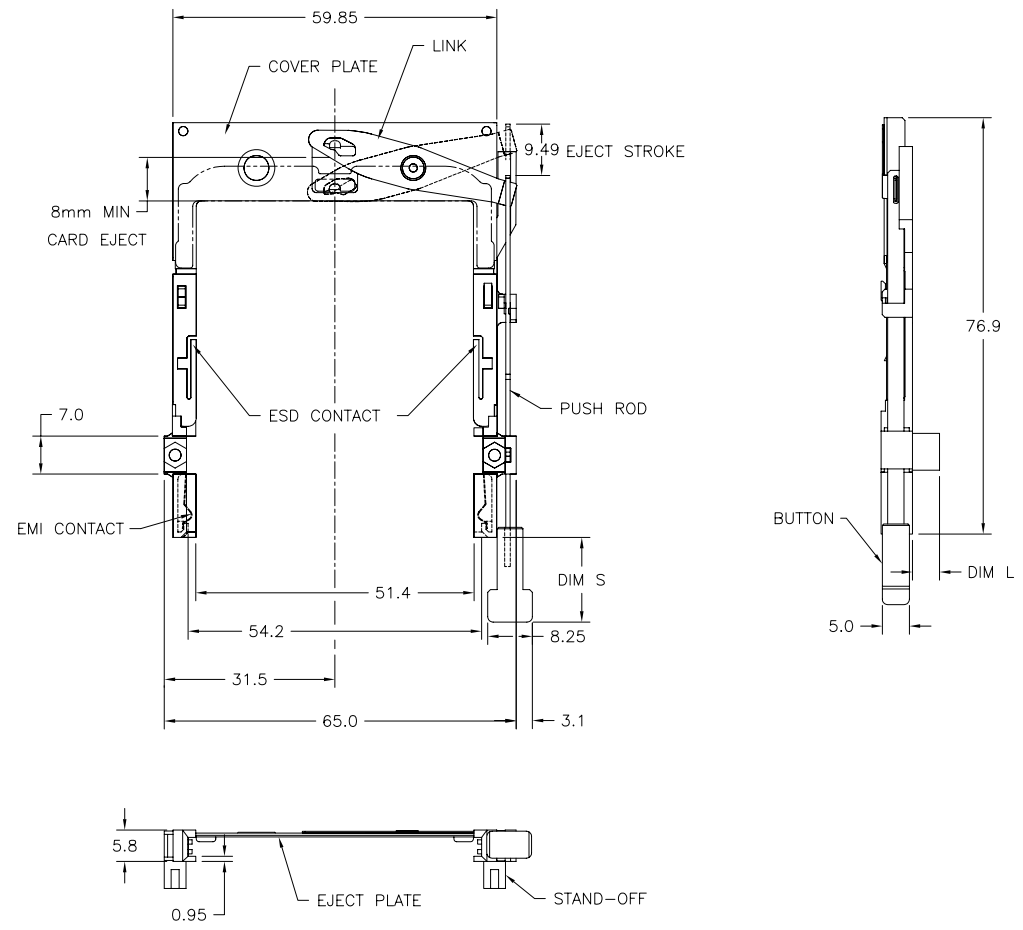
mat'l. code		surface		tolerance		projection		product family	
ltr	ecn no	dr	date	tolerances unless otherwise specified				title	
M				angles	linear	±0.15	MM	NARROW BODY FRONT EJECT TYPE 123 MECHANISM ASS'Y	
				±2'			scale	dwg no sheet 2 of 3 size	
				dr	Mike Zhou	05/25'06		95079 A4	
				enfr	Mike Zhou	05/25'06		type CUSTOMER Drawing	
				chr	Mike Zhou	05/25'06			
				appd	Qin David	05/25'06			
sheet index	revision sheet								

FCI CONFIDENTIAL

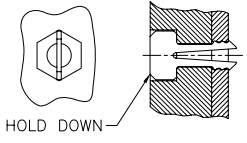
This document is the property of and embodies CONFIDENTIAL and PROPRIETARY information of FCI. No part of the information shown on this document may be used in any way or disclosed to others without the written consent of FCI. Copyright FCI.

FCI
FCIconnect.com

PRODUCT NO. NOTE ⑤	STAND-OFF DIM L	DIM S	BUTTON COLOR
95079-00MCA	0	13	BLACK



- NOTES:
- EJECT PLATE TO MOVE ALONG INSIDE WALL OF COVER PLATE SMOOTHLY AFTER ASSEMBLING WITH HEADER.
 - MATERIAL:
PLASTIC GUIDES: POLYPHTHARAMIDE UL94V-0 BLACK
COVER PLATE: STAINLESS STEEL
EMI CONTACT: PHOSPHOR BRONZE
 - FINISH:
EMI CONTACT:
CONTACT AREA: 0.5um Au
UNDER PLATING: 2.0um Ni
 - ADD "H" TO PART NUMBER FOR OPTIONAL HOLD DOWN (2 PER ASSEMBLY).



- RECOMMENDED SCREW TORQUE: 1.0 TO 1.5 MAX in-lbs. (1.2-1.7 cm-kgs).

mat'l. code		surface		tolerance		projection		product family	
ltr	ecn no	dr	date	tolerances unless otherwise specified				title	
M				angles	linear	±0.15		NARROW BODY FRONT EJECT TYPE 123 MECHANISM ASS'Y	
				±2'		MM			
						scale		dwg no	
				dr	Mike Zhou	05/25'06		sheet 3 of 3 size	
				enr	Mike Zhou	05/25'06		95079 A4	
				chr	Mike Zhou	05/25'06			
				appd	Qin David	05/25'06		type CUSTOMER Drawing	
sheet index	revision sheet								