



Chipsmall Limited consists of a professional team with an average of over 10 year of expertise in the distribution of electronic components. Based in Hongkong, we have already established firm and mutual-benefit business relationships with customers from,Europe,America and south Asia,supplying obsolete and hard-to-find components to meet their specific needs.

With the principle of "Quality Parts,Customers Priority,Honest Operation,and Considerate Service",our business mainly focus on the distribution of electronic components. Line cards we deal with include Microchip,ALPS,ROHM,Xilinx,Pulse,ON,Everlight and Freescale. Main products comprise IC,Modules,Potentiometer,IC Socket,Relay,Connector.Our parts cover such applications as commercial,industrial, and automotives areas.

We are looking forward to setting up business relationship with you and hope to provide you with the best service and solution. Let us make a better world for our industry!



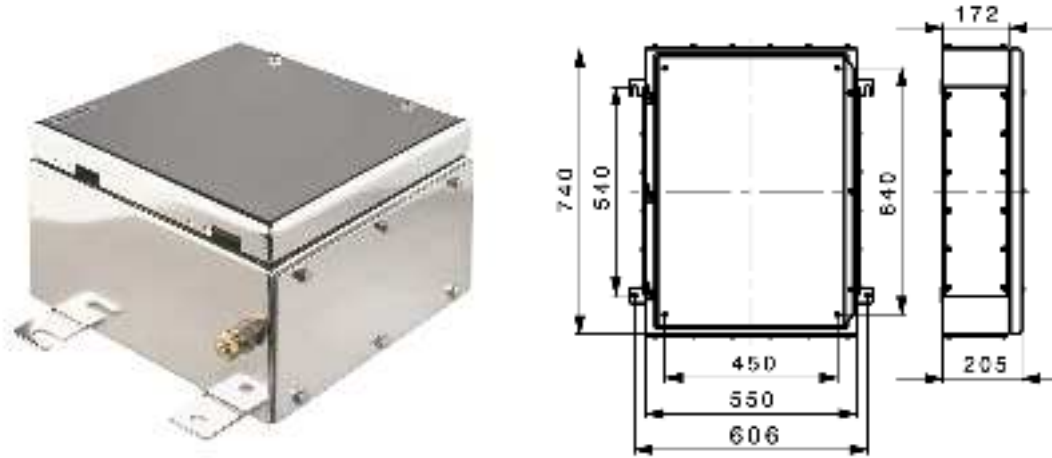
Contact us

Tel: +86-755-8981 8866 Fax: +86-755-8427 6832

Email & Skype: info@chipsmall.com Web: www.chipsmall.com

Address: A1208, Overseas Decoration Building, #122 Zhenhua RD., Futian, Shenzhen, China




General ordering data

Order No.	9507990000
Part designation	NexT 74/55/20 4gp 7032
Version	Ex enclosure, 205 mm, 740 mm, 550 mm, Sheet steel 2.02 mm (14 SWG)
EAN	4008190499556
Qty.	1 pc(s).

Dimensions

Fixing dimension, height	540 mm
Fixing dimension, width	606 mm
Height	205 mm
Length	740 mm
Width	550 mm

General details

Cover fixing	Removable cover + M6 screws
Enclosure fixing	Outside mounting with 10 mm holes
Integral fixing	4 x 10 mm spacers
Sealing material	Chloroprene (cover & flange)
Version cover	closed
Colour	RAL 7032 - pebble grey
Surface finish	RAL 7032, textured
Class of protection to EN 60529	IP 66
Weight	23,500 g
Ambient temperature, min.	-40 °C
Ambient temperature, max.	85 °C

Screwed cable glands top/bottom

M 12	141
M 16	103
M 20	64
M 25	39
M 32	20
M 40	16

Screwed cable glands top/bottom

M 50	6
M 63	5
M 75	4
Side of enclosure	Top / Bottom

Screwed cable glands, left/right

M12	141
M16	103
M20	64
M25	39
M32	20
M40	16
M50	6
M63	5
M75	4
On housing side	left / right

Approvals

Approvals institutes



Classifications

ETIM 2.0	EC000049
ETIM 3.0	EC000049
eClass 4.1	27-14-12-06
eClass 5.0	27-18-05-02
eClass 5.1	27-18-05-02

Similar products

Order No.	Part designation	Version
9523700000	NexT 74/55/20 0gp 7032	Ex enclosure, 205 mm, 740 mm, 550 mm, Sheet steel 2.02 mm (14 SWG)
9523560000	NexT 74/55/20 0gp ss	Ex enclosure, 205 mm, 740 mm, 550 mm, Stainless steel 1.4404
9523000000	NexT 74/55/20 1gp 7032	Ex enclosure, 205 mm, 740 mm, 550 mm, Sheet steel 2.02 mm (14 SWG)
9522720000	NexT 74/55/20 1gp ss	Ex enclosure, 205 mm, 740 mm, 550 mm, Stainless steel 1.4404
9507920000	NexT 74/55/20 2gp 7032	Ex enclosure, 205 mm, 740 mm, 550 mm, Sheet steel 2.02 mm (14 SWG)
9508730000	NexT 74/55/20 2gp ss	Ex enclosure, 205 mm, 740 mm, 550 mm, Stainless steel 1.4404
9522860000	NexT 74/55/20 3gp ss	Ex enclosure, 205 mm, 740 mm, 550 mm, Stainless steel 1.4404
9508800000	NexT 74/55/20 4gp ss	Ex enclosure, 205 mm, 740 mm, 550 mm, Stainless steel 1.4404