

Chipsmall Limited consists of a professional team with an average of over 10 year of expertise in the distribution of electronic components. Based in Hongkong, we have already established firm and mutual-benefit business relationships with customers from,Europe,America and south Asia,supplying obsolete and hard-to-find components to meet their specific needs.

With the principle of “Quality Parts,Customers Priority,Honest Operation,and Considerate Service”,our business mainly focus on the distribution of electronic components. Line cards we deal with include Microchip,ALPS,ROHM,Xilinx,Pulse,ON,Everlight and Freescale. Main products comprise IC,Modules,Potentiometer,IC Socket,Relay,Connector.Our parts cover such applications as commercial,industrial, and automotives areas.

We are looking forward to setting up business relationship with you and hope to provide you with the best service and solution. Let us make a better world for our industry!

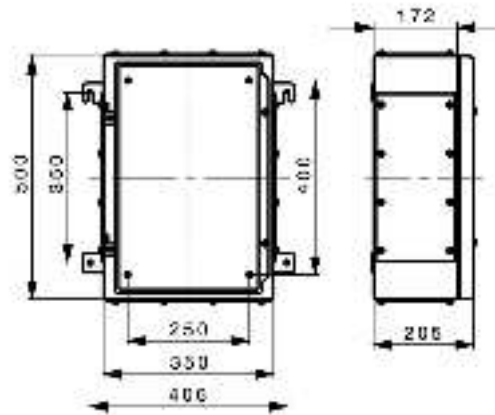


Contact us

Tel: +86-755-8981 8866 Fax: +86-755-8427 6832

Email & Skype: info@chipsmall.com Web: www.chipsmall.com

Address: A1208, Overseas Decoration Building, #122 Zhenhua RD., Futian, Shenzhen, China



General ordering data

Order No.	9508780000
Part designation	NexT 50/35/20 4gp ss
Version	Ex enclosure, 205 mm, 500 mm, 350 mm, Stainless steel 1.4404
EAN	4008190489656
Qty.	1 pc(s).

Dimensions

Fixing dimension, height	350 mm
Fixing dimension, width	406 mm
Height	205 mm
Length	500 mm
Width	350 mm

General details

Cover fixing	Removable cover + M6 screws
Enclosure fixing	Outside mounting with 10 mm holes
Integral fixing	4 x 10 mm spacers
Sealing material	Chloroprene (cover & flange)
Version cover	closed
Colour	Miscellaneous
Surface finish	polished, chemically immersed
Class of protection to EN 60529	IP 66
Weight	1,000 g
Ambient temperature, min.	-40 °C
Ambient temperature, max.	85 °C

Screwed cable glands top/bottom

M 12	81
M 16	60
M 20	38
M 25	24
M 32	12
M 40	10

Screwed cable glands top/bottom

M 50	4
M 63	3
M 75	2
Side of enclosure	Top / Bottom

Screwed cable glands, left/right

M12	81
M16	60
M20	38
M25	24
M32	12
M40	10
M50	4
M63	3
M75	2
On housing side	left / right

Approvals

Approvals institutes



Classifications

ETIM 2.0	EC000049
ETIM 3.0	EC000049
eClass 4.1	27-14-12-06
eClass 5.0	27-18-05-02
eClass 5.1	27-18-05-02

Similar products

Order No.	Part designation	Version
9523680000	NexT 50/35/20 0gp 7032	Ex enclosure, 205 mm, 500 mm, 350 mm, Sheet steel 1.5 mm (16 SWG)
9523540000	NexT 50/35/20 0gp ss	Ex enclosure, 205 mm, 500 mm, 350 mm, Stainless steel 1.4404
9522980000	NexT 50/35/20 1gp 7032	Ex enclosure, 205 mm, 500 mm, 350 mm, Sheet steel 1.5 mm (16 SWG)
9522700000	NexT 50/35/20 1gp ss	Ex enclosure, 205 mm, 500 mm, 350 mm, Stainless steel 1.4404
9507900000	NexT 50/35/20 2gp 7032	Ex enclosure, 205 mm, 500 mm, 350 mm, Sheet steel 1.5 mm (16 SWG)
9508710000	NexT 50/35/20 2gp ss	Ex enclosure, 205 mm, 500 mm, 350 mm, Stainless steel 1.4404
9523120000	NexT 50/35/20 3gp 7032	Ex enclosure, 205 mm, 500 mm, 350 mm, Sheet steel 1.5 mm (16 SWG)

9522840000	NexT 50/35/20 3gp ss	Ex enclosure, 205 mm, 500 mm, 350 mm, Stainless steel 1.4404
9507970000	NexT 50/35/20 4gp 7032	Ex enclosure, 205 mm, 500 mm, 350 mm, Sheet steel 1.5 mm (16 SWG)