



Chipsmall Limited consists of a professional team with an average of over 10 year of expertise in the distribution of electronic components. Based in Hongkong, we have already established firm and mutual-benefit business relationships with customers from,Europe,America and south Asia,supplying obsolete and hard-to-find components to meet their specific needs.

With the principle of “Quality Parts,Customers Priority,Honest Operation,and Considerate Service”,our business mainly focus on the distribution of electronic components. Line cards we deal with include Microchip,ALPS,ROHM,Xilinx,Pulse,ON,Everlight and Freescale. Main products comprise IC,Modules,Potentiometer,IC Socket,Relay,Connector.Our parts cover such applications as commercial,industrial, and automotives areas.

We are looking forward to setting up business relationship with you and hope to provide you with the best service and solution. Let us make a better world for our industry!



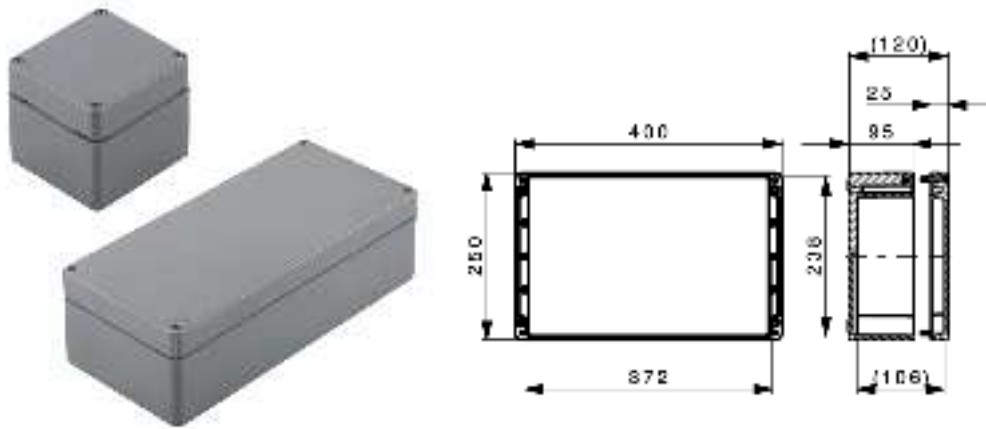
## Contact us

Tel: +86-755-8981 8866 Fax: +86-755-8427 6832

Email & Skype: info@chipsmall.com Web: www.chipsmall.com

Address: A1208, Overseas Decoration Building, #122 Zhenhua RD., Futian, Shenzhen, China





#### General ordering data

Order No.	9510290000
Part designation	Klippon POK 9 Ex
Version	EXI enclosure, 120 mm, 250 mm, 400 mm, glass fibre-reinforced polyester
EAN	4008190498788
Qty.	1 pc(s).

#### Dimensions

Fixing dimension, height	200 mm
Fixing dimension, width	380 mm
Height	120 mm
Length	250 mm
Width	400 mm

#### General details

Cover fixing	4 stainless steel M6 screws
Enclosure fixing	Holes 6 mm
Sealing material	Polyurethane and chloroprene
Colour	grey
Class of protection to EN 60529	IP 66
Weight	3,650 g
Ambient temperature, min.	-40 °C
Ambient temperature, max.	90 °C

#### Screwed cable glands top/bottom

M 12	62
M 16	54
M 20	33
M 25	18
M 32	14
M 40	6
M 50	4
Side of enclosure	Top / Bottom

**Screwed cable glands, left/right**

M12	32
M16	21
M20	15
M25	8
M32	3
M40	3
M50	2
On housing side	left / right

**Approvals**

Approvals institutes

GOSTEX ATEX ATEX



**Classifications**

ETIM 2.0	EC000520
ETIM 3.0	EC000049
eClass 4.1	27-14-12-06
eClass 5.0	27-18-05-02
eClass 5.1	27-18-05-02

**Similar products**

Order No.	Part designation	Version
1565430000	Klippon POK 9	Housings, 120 mm, 250 mm, 400 mm, glass fibre-reinforced polyester