



Chipsmall Limited consists of a professional team with an average of over 10 year of expertise in the distribution of electronic components. Based in Hongkong, we have already established firm and mutual-benefit business relationships with customers from,Europe,America and south Asia,supplying obsolete and hard-to-find components to meet their specific needs.

With the principle of “Quality Parts,Customers Priority,Honest Operation,and Considerate Service”,our business mainly focus on the distribution of electronic components. Line cards we deal with include Microchip,ALPS,ROHM,Xilinx,Pulse,ON,Everlight and Freescale. Main products comprise IC,Modules,Potentiometer,IC Socket,Relay,Connector.Our parts cover such applications as commercial,industrial, and automotives areas.

We are looking forward to setting up business relationship with you and hope to provide you with the best service and solution. Let us make a better world for our industry!



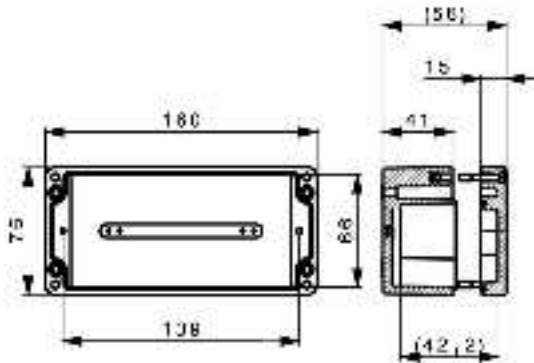
Contact us

Tel: +86-755-8981 8866 Fax: +86-755-8427 6832

Email & Skype: info@chipsmall.com Web: www.chipsmall.com

Address: A1208, Overseas Decoration Building, #122 Zhenhua RD., Futian, Shenzhen, China





General ordering data

Order No.	9510320000
Part designation	Klippon POK 3 Ex
Version	EXI enclosure, 55 mm, 75 mm, 160 mm, glass fibre-reinforced polyester
EAN	4008190498542
Qty.	1 pc(s).

Dimensions

Fixing dimension, height	45 mm
Fixing dimension, width	148 mm
Height	55 mm
Length	75 mm
Width	160 mm

General details

Cover fixing	4 stainless steel M4 screws
Enclosure fixing	Holes 4 mm
Sealing material	Polyurethane and chloroprene
Colour	grey
Class of protection to EN 60529	IP 66
Weight	405 g
Ambient temperature, min.	-40 °C
Ambient temperature, max.	90 °C

Screwed cable glands top/bottom

M 12	11
M 16	5
M 20	4
M 25	3
Side of enclosure	Top / Bottom

Screwed cable glands, left/right

M12	1
M16	1

Screwed cable glands, left/right

M20	1
On housing side	left / right

Approvals

Approvals institutes

GOSTEX ATEX ATEX



Classifications

ETIM 2.0	EC000520
ETIM 3.0	EC000049
eClass 4.1	27-14-12-06
eClass 5.0	27-18-05-02
eClass 5.1	27-18-05-02

Similar products

Order No.	Part designation	Version
1277400000	Klippon POK 3	Housings, 55 mm, 75 mm, 160 mm, glass fibre-reinforced polyester