



Chipsmall Limited consists of a professional team with an average of over 10 year of expertise in the distribution of electronic components. Based in Hongkong, we have already established firm and mutual-benefit business relationships with customers from,Europe,America and south Asia,supplying obsolete and hard-to-find components to meet their specific needs.

With the principle of "Quality Parts,Customers Priority,Honest Operation,and Considerate Service",our business mainly focus on the distribution of electronic components. Line cards we deal with include Microchip,ALPS,ROHM,Xilinx,Pulse,ON,Everlight and Freescale. Main products comprise IC,Modules,Potentiometer,IC Socket,Relay,Connector.Our parts cover such applications as commercial,industrial, and automotives areas.

We are looking forward to setting up business relationship with you and hope to provide you with the best service and solution. Let us make a better world for our industry!



## Contact us

Tel: +86-755-8981 8866 Fax: +86-755-8427 6832

Email & Skype: info@chipsmall.com Web: www.chipsmall.com

Address: A1208, Overseas Decoration Building, #122 Zhenhua RD., Futian, Shenzhen, China



**TECHNICAL SPECIFICATIONS:**

**MATERIAL :**

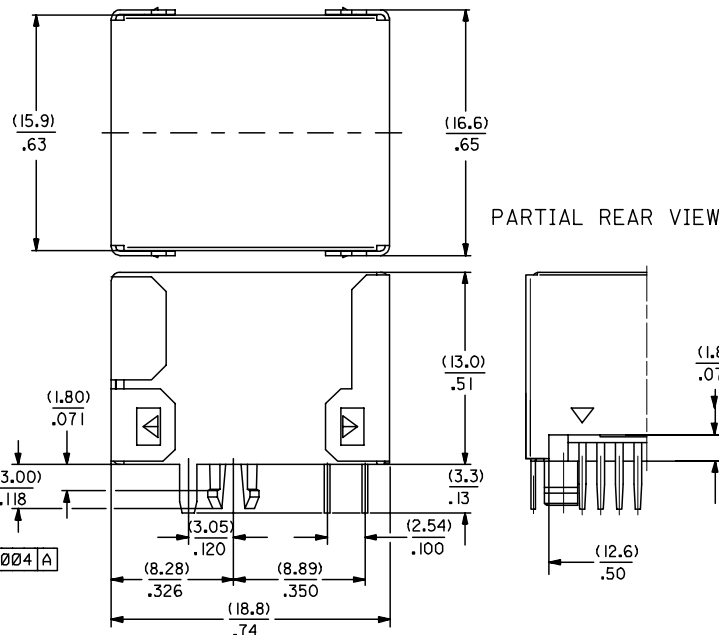
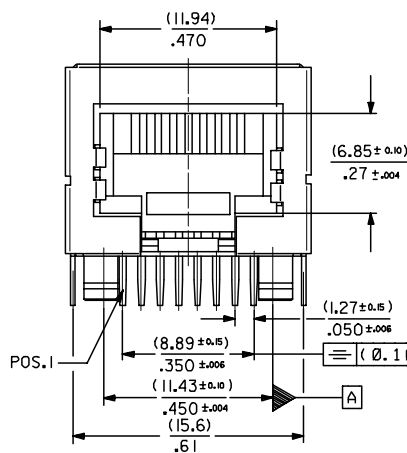
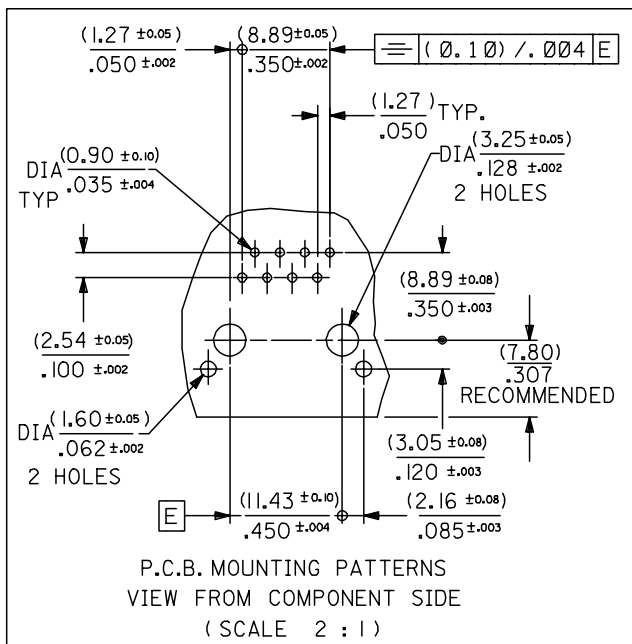
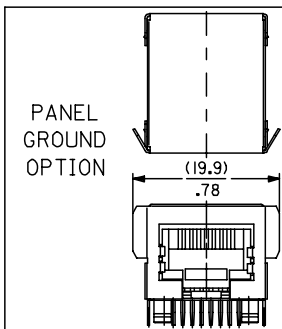
HOUSING TYPE 1: POLYESTER GLASS FILLED UL 94V0  
COLOR BLACK

HOUSING TYPE 2: POLYAMIDE HIGH TEMPERATURE GLASS  
FILLED UL 94V0 COLOR BLACK

TERMINAL : PHOSPHOR BRONZE PLATED WITH :  
(0.00127)/.000050 MIN. GOLD IN CONTACT AREA,  
(0.00190)/.000075 MIN. PURE TIN IN TAIL AREA,  
BOTH OVER (0.00127)/.000050 MIN. NICKEL OVERALL

SHIELD : BRASS PLATED WITH (0.0020)/.000078 MIN. TIN.

ENG.N°.	HOUSING SIZE	HOUSING MATERIAL TYPE	LOADED CKTS	PANEL GROUND	TOOLED	PACKAGING SPECIFICATION PK-95122
95122-2881	8	1	8	NO	YES	TRAY (SHEET 1)
95122-2882				YES	YES	BLISTER (SHEET 2)
95122-2883		2		NO	YES	TRAY (SHEET 1)



**NOTES:**

- 1- JACK FOR MATING WITH SHIELDED PLUG  
MOLEX 95043 AND 85568 SERIES.
- 2- PRODUCT SPECIFICATION: MOLEX PS-95122.
- 3- APPLICATION SPECIFICATION: MOLEX AS-95001.
- 4- PACKAGING SPECIFICATION: MOLEX PK-95122 (SEE CHART)
- 5- P.C. BOARD THICKNESS : (1.57)/.062

ENTER DESCRIPTION EC NO: MG2005-0122 2004/10/08 DRAWN: KNOLLER CHKD: FCARABET 2004/10/08 APPR: KNOLLER 2004/10/08	QUALITY SYMBOLS ▽=0 ▽=0	GENERAL TOLERANCES (UNLESS SPECIFIED)		DIMENSION STYLE	SCALE	DESIGN UNITS	THIRD ANGLE PROJECTION
		mm	INCH	MM/IN	3:1	METRIC	
K	REV	4 PLACES	± ---	± ---	DRAWN BY	DATE	TITLE
		3 PLACES	± ---	± .010	GP	93/04/20	FULLY SHIELDED R/A MODULAR JACK 8 CKTS THROUGH HOLE - VERSION A
K	REV	2 PLACES	± 0.25	± .014	CHECKED BY	DATE	
		1 PLACE	± 0.35	± ---	FB	93/04/20	
K	REV	ANGULAR ± 2 °		APPROVED BY	DATE	MOLEX INCORPORATED	
				JB	93/04/20		
		DRAFT WHERE APPLICABLE MUST REMAIN WITHIN DIMENSIONS		MATERIAL NO.	DOCUMENT NO.	SHEET NO.	
				SEE CHART	SDA-95122	1 OF 3	
THIS DRAWING CONTAINS INFORMATION THAT IS PROPRIETARY TO MOLEX INCORPORATED AND SHOULD NOT BE USED WITHOUT WRITTEN PERMISSION							