



Chipsmall Limited consists of a professional team with an average of over 10 year of expertise in the distribution of electronic components. Based in Hongkong, we have already established firm and mutual-benefit business relationships with customers from,Europe,America and south Asia,supplying obsolete and hard-to-find components to meet their specific needs.

With the principle of “Quality Parts,Customers Priority,Honest Operation,and Considerate Service”,our business mainly focus on the distribution of electronic components. Line cards we deal with include Microchip,ALPS,ROHM,Xilinx,Pulse,ON,Everlight and Freescale. Main products comprise IC,Modules,Potentiometer,IC Socket,Relay,Connector.Our parts cover such applications as commercial,industrial, and automotives areas.

We are looking forward to setting up business relationship with you and hope to provide you with the best service and solution. Let us make a better world for our industry!



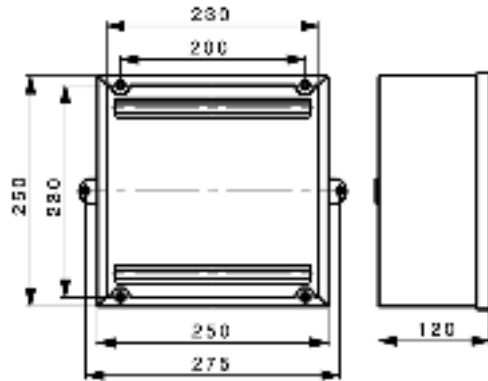
Contact us

Tel: +86-755-8981 8866 Fax: +86-755-8427 6832

Email & Skype: info@chipsmall.com Web: www.chipsmall.com

Address: A1208, Overseas Decoration Building, #122 Zhenhua RD., Futian, Shenzhen, China





General ordering data

Order No.	9513900000
Part designation	STB 4 PAINTED
Version	Ex enclosure, 120 mm, 250 mm, 250 mm, Sheet steel 1.5 mm (16 SWG)
EAN	4008190498375
Qty.	1 pc(s).

Dimensions

Fixing dimension, width	275 mm
Height	120 mm
Length	250 mm
Width	250 mm

General details

Cover fixing	4 x M6 captive (hexagon)
Enclosure fixing	8 mm holes through outside mounting
Integral fixing	TAS 20 rail welded to floor
Resistance to shocks	7 J
Sealing material	Chloroprene (cover & flange)
Version cover	closed
Colour	RAL 7032 - pebble grey
Surface finish	RAL 7032, textured
Class of protection to EN 60529	IP 66
Weight	3,700 g
Ambient temperature, min.	-20 °C
Ambient temperature, max.	85 °C

Screwed cable glands top/bottom

M 12	44
M 16	30
M 20	23
M 25	12
M 32	5
M 40	4

Screwed cable glands top/bottom

M 50	3
Side of enclosure	Top / Bottom

Screwed cable glands, left/right

M12	38
M16	32
M20	20
M25	10
M32	7
M40	3
M50	2
M63	1
On housing side	left / right

Approvals

Approvals institutes

**Classifications**

ETIM 2.0	EC000049
ETIM 3.0	EC000049
eClass 4.1	27-14-12-06
eClass 5.0	27-18-05-02
eClass 5.1	27-18-05-02

Similar products

Order No.	Part designation	Version
3873100000	STB 1 PAINTED	Ex enclosure, 80 mm, 120 mm, 120 mm, Sheet steel 1.5 mm (16 SWG)
9524770000	STB1.1 Painted	Ex enclosure, 80 mm, 150 mm, 120 mm, Sheet steel
3873500000	STB 2 PAINTED	Ex enclosure, 90 mm, 150 mm, 150 mm, Sheet steel 1.5 mm (16 SWG)
9524790000	STB 2.1 ptd.	Ex enclosure, 90 mm, 190 mm, 150 mm, Sheet steel 1.5 mm (16 SWG)
9513870000	STB 3 PAINTED	Ex enclosure, 100 mm, 190 mm, 190 mm, Sheet steel 1.5 mm (16 SWG)
9505260000	STB 5 PAINTED	Ex enclosure, 120 mm, 160 mm, 380 mm, Sheet steel 1.5 mm (16 SWG)
9505270000	STB 6 PAINTED	Ex enclosure, 130 mm, 250 mm, 400 mm, Sheet steel 1.5 mm (16 SWG)