



Chipsmall Limited consists of a professional team with an average of over 10 year of expertise in the distribution of electronic components. Based in Hongkong, we have already established firm and mutual-benefit business relationships with customers from,Europe,America and south Asia,supplying obsolete and hard-to-find components to meet their specific needs.

With the principle of "Quality Parts,Customers Priority,Honest Operation,and Considerate Service",our business mainly focus on the distribution of electronic components. Line cards we deal with include Microchip,ALPS,ROHM,Xilinx,Pulse,ON,Everlight and Freescale. Main products comprise IC,Modules,Potentiometer,IC Socket,Relay,Connector.Our parts cover such applications as commercial,industrial, and automotives areas.

We are looking forward to setting up business relationship with you and hope to provide you with the best service and solution. Let us make a better world for our industry!



Contact us

Tel: +86-755-8981 8866 Fax: +86-755-8427 6832

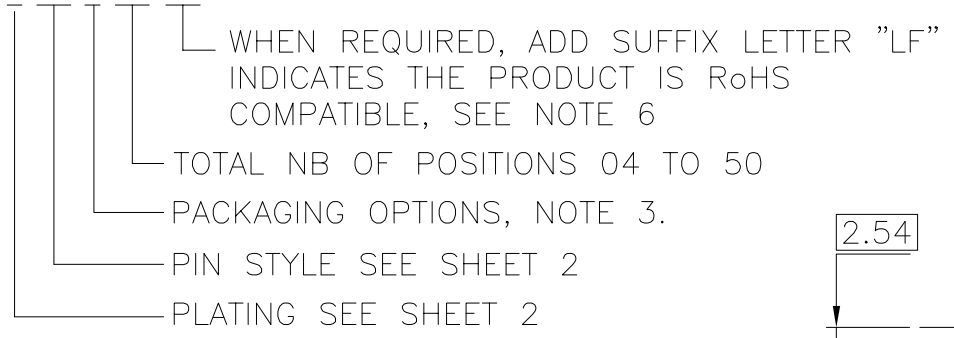
Email & Skype: info@chipsmall.com Web: www.chipsmall.com

Address: A1208, Overseas Decoration Building, #122 Zhenhua RD., Futian, Shenzhen, China



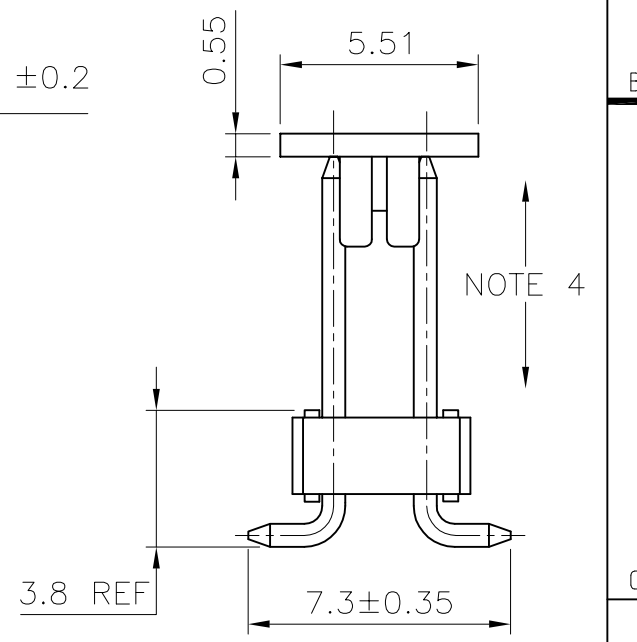
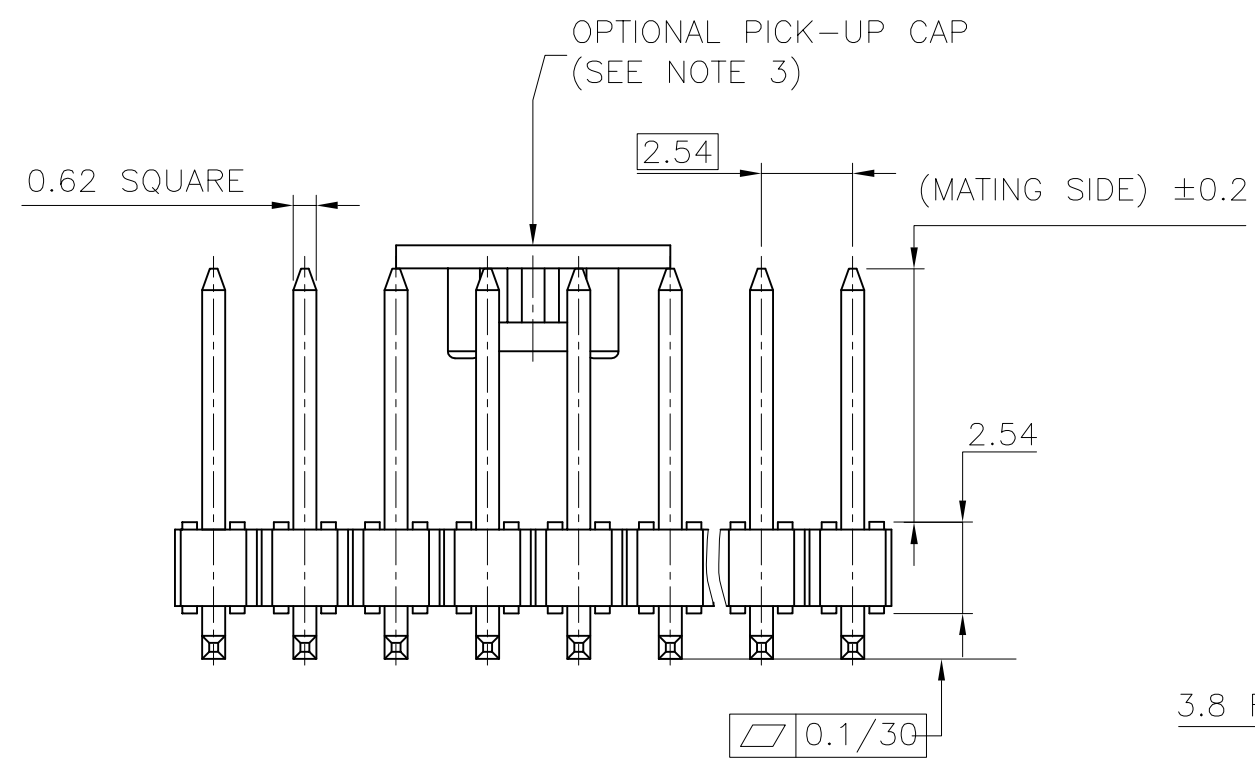
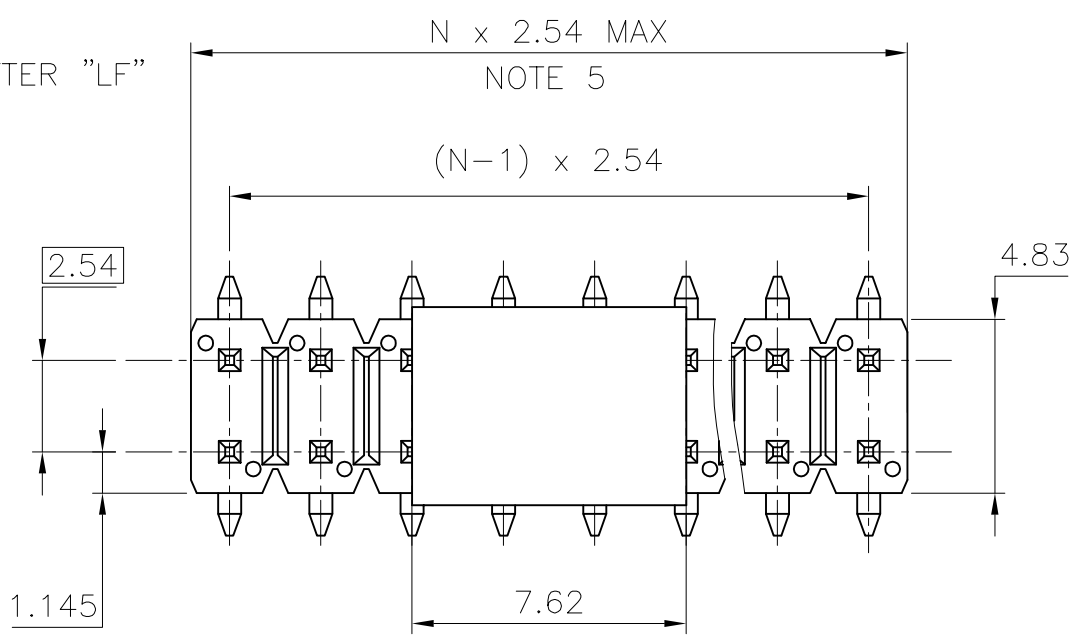
PRODUCT NUMBER

95278-YXX-XXLF



NOTES:

1. HOUSING MAT'L : HIGH TEMPERATURE THERMOPLASTIC. UL94V-0 COLOR: BLACK
2. PIN MATERIAL : PHOSPHOR BRONZE
- 3 - PACKAGING OPTIONS:
 - = POLY BAGS
 - B = TUBE + CAP
 - A = TAPE & REEL WITH CAP, SEE TA840 FOR PRODUCT AVAILABILITY.
4. 9N MIN RETENTION IN EITHER DIRECTION
5. TO DETERMINE DIMENSIONS :
 N = NUMBER OF POSITIONS PER ROW
 EXAMPLE : 8 POS N x 2.54 = 20.32mm
6. RoHS COMPATIBLE PRODUCT SPECIFICATIONS
 - a - PLATING:
 - "LF" MEANS THE PRODUCT IS LEAD-FREE, 2µm MINIMUM MATTE TIN OVER 1.27µm MINIMUM NICKEL UNDERPLATE.
 - b - MANUFACTURING PROCESS COMPATIBILITY
 - THE HOUSING WILL WITHSTAND EXPOSURE TO 260°C PEAK TEMPERATURE FOR 30 SECONDES IN A CONVECTION, INFRA-RED OR VAPOR PHASE REFLOW OVEN.
 - c - LABELING:
 - MEETS PACKAGING SPECS AS PER GS-14-920
 - d - LEGAL STATEMENT: SEE GS-22-008



mat'l. code				surface	tolerance	projection	product family		
				ISO 1302	ISO 406 ISO 1101		BERGSTIK		
ltr	ecn no	dr	date	tolerances unless otherwise specified			title		
N	F08-0148	RTR	08.03.31	angles	x.x ±0.3		UNSHR.HEADER		
P	F08-0253	LMU	08.12.10	linear	x.xx ±0.13	mm	DR SMT		
			01.03.29		x.xxx ±0.05	scale 5:1	dwg no		
J	F04-0362	JCO	04.12.10	dr	D.LE		sheet 1 of 2		
K	F06-0168	LMU	06.04.21	enr	JM.C		95278		
L	F06-0208	JCO	06.06.22	chr	JM.C		A3		
M	F08-0124	LMU	08.02.11	appd	JF.N		type CUSTOMER Drawing		
sheet index	revision	P	N						
1	2								



Copyright FCI

CORE RANGE		
PLATING	PIN STYLE	MATING
1	01	5.9

PLATING
 1 = 0.76µm GOLD/GXT ON CONTACT AREA
 3.81µm TIN/LEAD ON TAIL

WHEN "LF" IS REQUIRED, 2µm MIN MATTE TIN OVER 1.27µm MIN NICKEL INSTEAD OF TIN-LEAD

CATALOGUE RANGE		
PLATING	PIN STYLE	MATING
4/8	01	5.9
1/4/8	02	8

PLATING
 1 = 0.76µm GOLD/GXT ON CONTACT AREA
 3.81µm TIN-LEAD ON TAIL

4 = 3.81µm TIN-LEAD ON CONTACT AREA AND ON TAIL

8 = 0.38µm GOLD/GXT ON CONTACT AREA
 3.81µm TIN-LEAD ON TAIL

WHEN "LF" IS REQUIRED, 2µm MIN MATTE TIN OVER 1.27µm MIN NICKEL INSTEAD OF TIN-LEAD

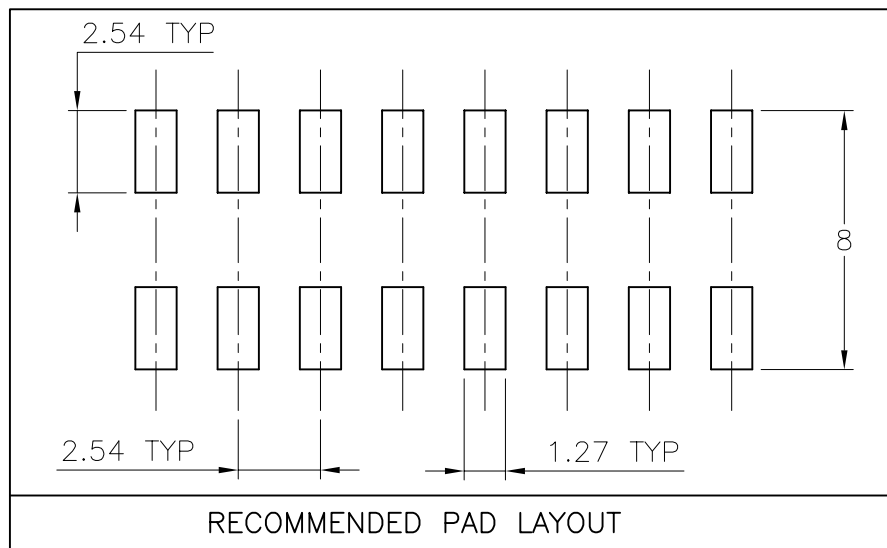
APPLICATION SPECIFIC		
PLATING	PIN STYLE	MATING
1/4/8	06	10.4
1/4/8	07	5.3
1/4/8	09	17.00
1/4/8	10	8.10

PLATING
 1 = 0.76µm GOLD/GXT ON CONTACT AREA
 3.81µm TIN-LEAD ON TAIL

4 = 3.81µm TIN-LEAD ON CONTACT AREA AND ON TAIL

8 = 0.38µm GOLD/GXT ON CONTACT AREA
 3.81µm TIN-LEAD ON TAIL

WHEN "LF" IS REQUIRED, 2µm MIN MATTE TIN OVER 1.27µm MIN NICKEL INSTEAD OF TIN-LEAD



mat'l. code				surface ISO 1302	tolerance ISO 406 ISO 1101	projection mm	product family BERGSTIK
ltr	ecn no	dr	date	tolerances unless otherwise specified	angles	linear	title UNSHR.HEADER DR SMT
N	F08-0253	LMU	08.12.10				
H	F10181	LMU	01.03.29			scale N/A	
J	F04-0362	JCO	04.12.10	dr	D.LE	01.01.24	dwg no 95278
K	F06-0208	JCO	06.06.22	enr	JM.C	01.01.24	sheet 2 of - A3
L	F08-0124	LMU	08.02.11	chr	JM.C	01.01.24	type CUSTOMER Drawing
M	F08-0148	RTR	08.03.31	appd	JF.N	01.01.24	
sheet index	revision sheet						