



Chipsmall Limited consists of a professional team with an average of over 10 year of expertise in the distribution of electronic components. Based in Hongkong, we have already established firm and mutual-benefit business relationships with customers from,Europe,America and south Asia,supplying obsolete and hard-to-find components to meet their specific needs.

With the principle of “Quality Parts,Customers Priority,Honest Operation,and Considerate Service”,our business mainly focus on the distribution of electronic components. Line cards we deal with include Microchip,ALPS,ROHM,Xilinx,Pulse,ON,Everlight and Freescale. Main products comprise IC,Modules,Potentiometer,IC Socket,Relay,Connector.Our parts cover such applications as commercial,industrial, and automotives areas.

We are looking forward to setting up business relationship with you and hope to provide you with the best service and solution. Let us make a better world for our industry!



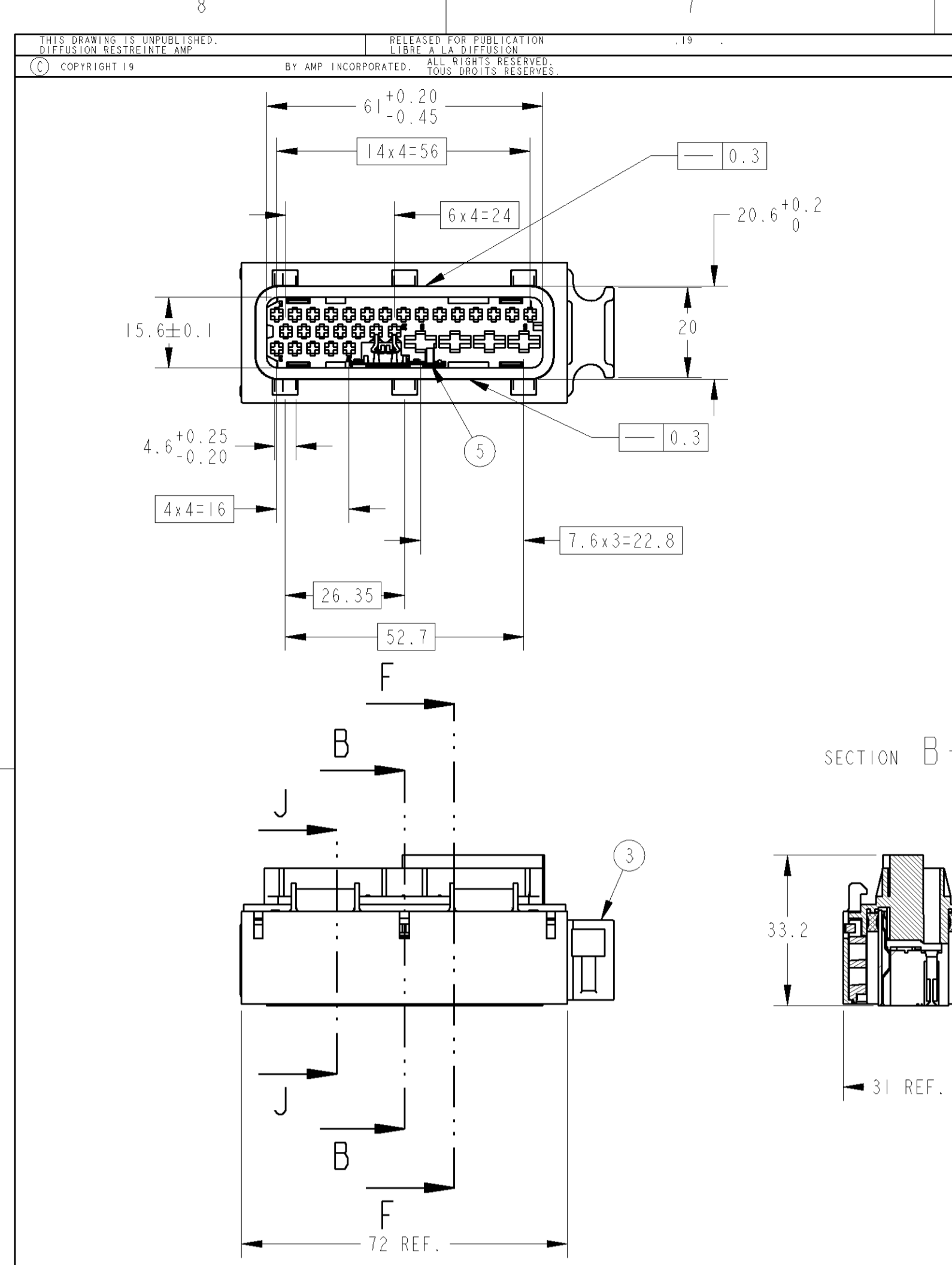
Contact us

Tel: +86-755-8981 8866 Fax: +86-755-8427 6832

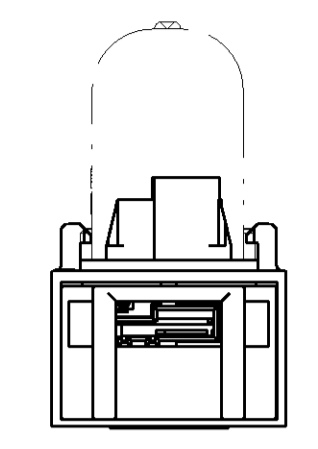
Email & Skype: info@chipsmall.com Web: www.chipsmall.com

Address: A1208, Overseas Decoration Building, #122 Zhenhua RD., Futian, Shenzhen, China

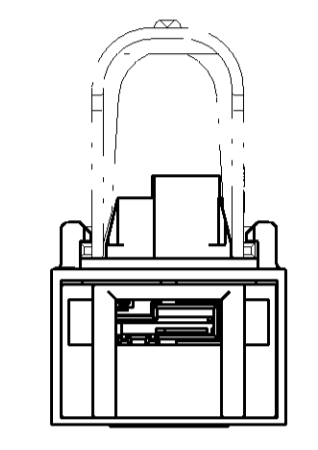




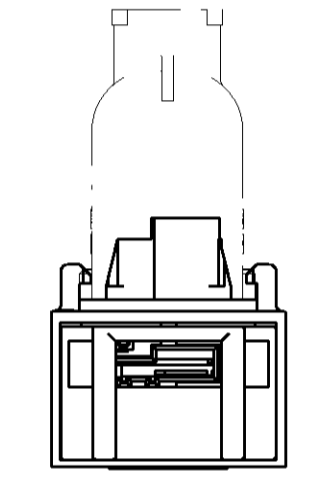
Part Number	Configuration	Material	Color	Short Circuit	Coding	Front View	
1-953041-4	NONE AUCUNE	PBT 20% GF PBT 20% FV	BLACK NOIR	YES OUI	CODING 1 CODAGE 1		
1-953041-2	4 - 10 - 12 - 13 22 - 23 - 24 - 25 26 - 27 - 28 - 29 30 - 31	PBT 20% GF PBT 20% FV	BLACK NOIR	NO NON	CODING 2 CODAGE 2		
1-953041-1	4 - 10 - 12 - 13 22 - 23 - 24 - 25 26 - 27 - 28 - 29 30 - 31	PBT 20% GF PBT 20% FV	BLACK NOIR	YES OUI	CODING 1 CODAGE 1		
953041-8	3 - 10 - 22 - 23 24 - 25 - 26 - 29	PBT 20% GF PBT 20% FV	BLACK NOIR	YES OUI	CODING 1 CODAGE 1		
953041-7	3 - 10 - 22 - 23 24 - 25 - 26 - 29	PBT 20% GF PBT 20% FV	BLACK NOIR	YES OUI	CODING 1 CODAGE 1		
953041-6	27 - 28 - 29 30 - 31	PBT 20% GF PBT 20% FV	BLACK NOIR	NO NON	CODING 2 CODAGE 2		
953041-5	10 - 12 - 13 - 23 24 - 25 - 26 - 27 28 - 29 - 30 - 31	PBT 20% GF PBT 20% FV	BLACK NOIR	NO NON	CODING 2 CODAGE 2		
953041-4	12 - 28 - 29 - 27 28 - 29 - 30 - 31	PBT 20% GF PBT 20% FV	BLACK NOIR	NO NON	CODING 2 CODAGE 2		
953041-3	10 - 12 - 13 - 23 24 - 25 - 26 - 27 28 - 29 - 30 - 31	PBT 20% GF PBT 20% FV	BLACK NOIR	YES OUI	CODING 1 CODAGE 1		
953041-2	27 - 28 - 29 30 - 31	PBT 20% GF PBT 20% FV	BLACK NOIR	YES OUI	NEUTRAL NEUTRE		
953041-1	NONE AUCUNE	PBT 20% GF PBT 20% FV	BLACK NOIR	YES OUI	NEUTRAL NEUTRE		
REAR VIEW (VUE ARRIERE)	AMP REF (REF AMP)	BLOCKED UP CAVITIES (ALVEOLES BOUCHEES)	MATERIAL (MATIERE)	COLOR (COULEUR)	SHORT CIRCUIT (SHUNT)	CODING (CODAGE)	FRONT VIEW (VUE AVANT)



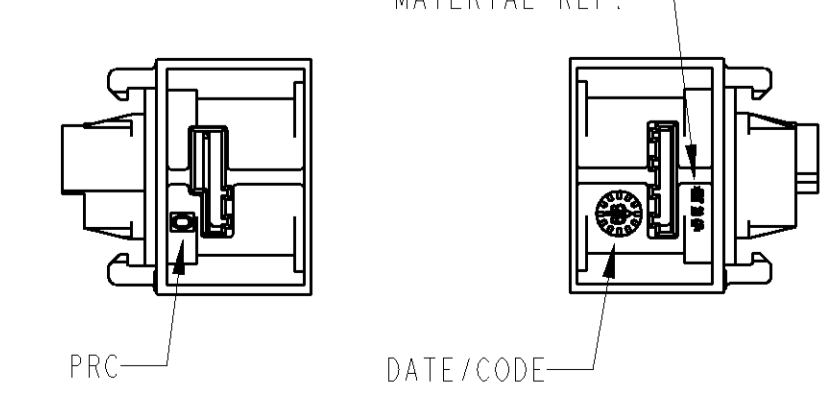
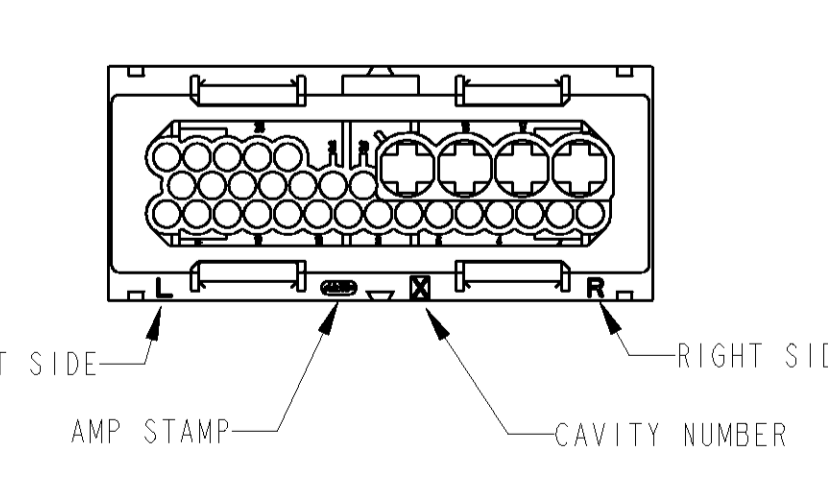
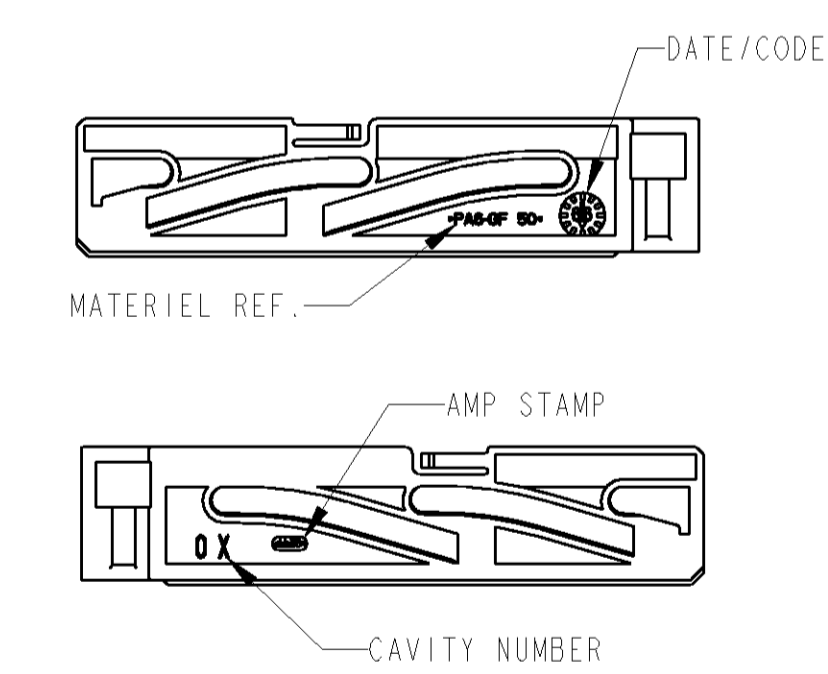
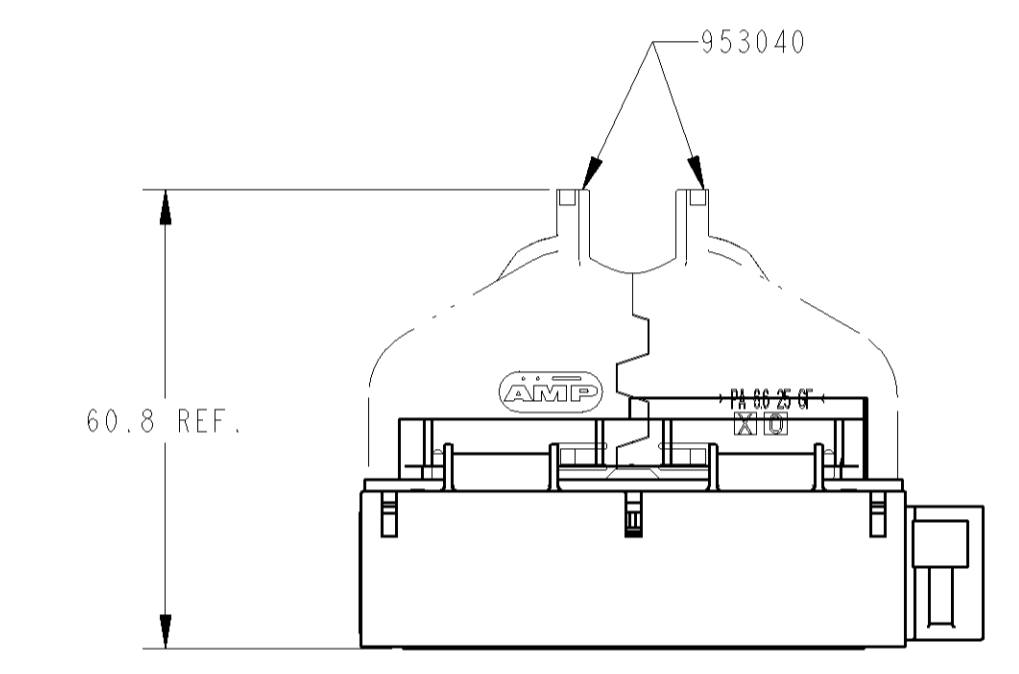
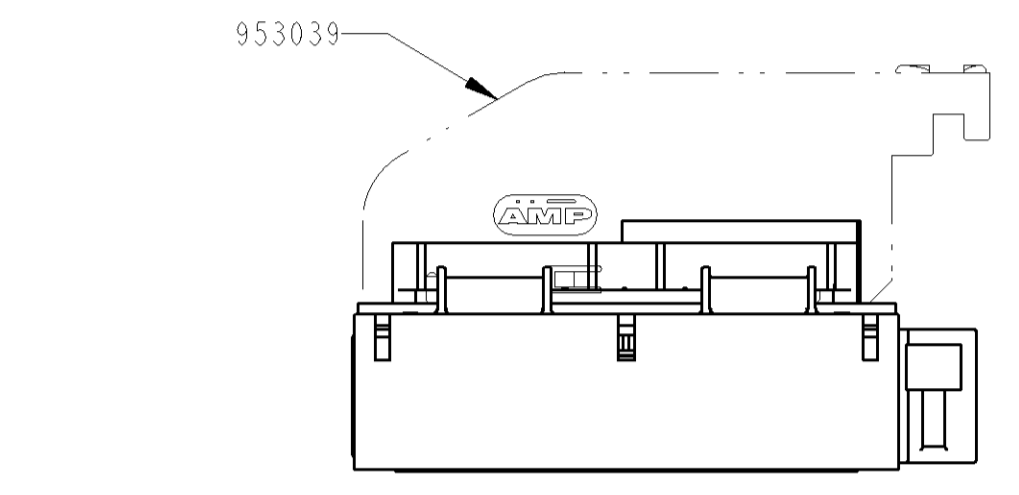
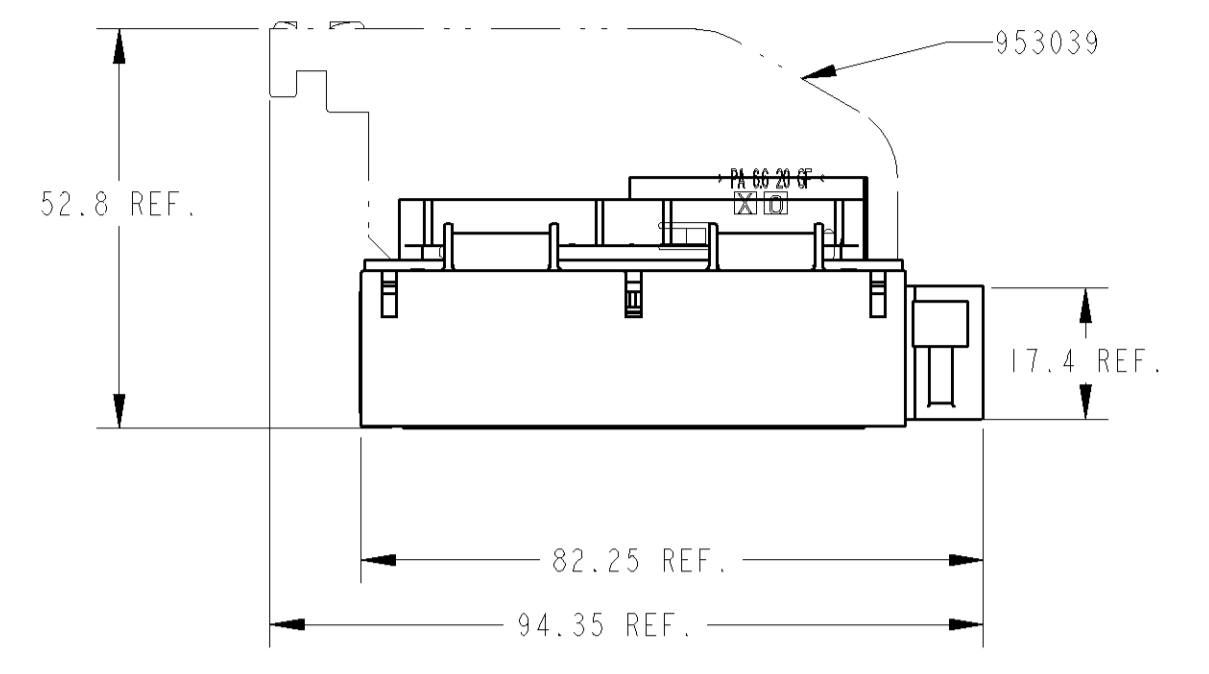
COVER LEFT EXIT
(CAPOT SORTIE GAUCHE)



COVER RIGHT EXIT
(CAPOT SORTIE DROITE)



COVER VERTICAL EXIT
(CAPOT SORTIE VERTICALE)



QTE COMPOSANT	COULEUR	MATIERE	DESIGNATION	P/N	REP
1	NATUREL	INOX DORE	SHUNT	953165-1	5
1	ROUGE	SILICONE	JOINT	953066-2	4
1	ROUGE	PA6 50% FV	ETRIER	953046-2	3
1	NOIR	PBT 20% FV	BOITIER	953045-9	2
1	NOIR	PBT 20% FV	BOITIER	953045-6	2
1	NOIR	PBT 20% FV	BOITIER	953045-4	2
1	NOIR	PBT 20% FV	BOITIER	953045-3	2
1	NOIR	PBT 20% FV	BOITIER	953045-2	2
1	NOIR	PBT 20% FV	BOITIER	953045-1	2
1	NOIR	PBT 20% FV	PORTE CLIPS	953034-3	1
1	NOIR	PBT 20% FV	PORTE CLIPS	953034-2	1
1	NOIR	PBT 20% FV	PORTE CLIPS	953034-1	1

COMPONENT QTY	COLOR	MATERIAL	DESIGNATION	P/N	DTM
1	NATURAL	STAINLESS	SHUNT	953165-1	5
1	RED	SILICONE	SEAL	953066-2	4
1	RED	PA6 50% GF	SLIDE	953046-2	3
1	BLACK	PBT 20% GF	HOUSING	953045-9	2
1	BLACK	PBT 20% GF	HOUSING	953045-6	2
1	BLACK	PBT 20% GF	HOUSING	953045-4	2
1	BLACK	PBT 20% GF	HOUSING	953045-3	2
1	BLACK	PBT 20% GF	HOUSING	953045-2	2
1	BLACK	PBT 20% GF	HOUSING	953045-1	2
1	BLACK	PBT 20% GF	REC. HSG	953034-3	1
1	BLACK	PBT 20% GF	REC. HSG	953034-2	1
1	BLACK	PBT 20% GF	REC. HSG	953034-1	1

AMP 4005 REV 27 JUN 96

THIS DRAWING IS UNPUBLISHED. RELEASED FOR PUBLICATION BY AMP INCORPORATED. ALL RIGHTS RESERVED. TOOLS, SPECS, RESERVEES.

DATE: 28-APR-97

APPD APPROVE: J.P. CAUD

PRODUCT SPEC: 411-15172

APPLICATION SPEC: 411-15399

WEIGHT: APPROX. 41.3 g

CUSTOMER DRAWING / PLAN CLIENT

AMP DE FRANCE 95301 PONTAISE

ASSY 31W CONNECTOR RIGHT SLIDE

ASSEMBLAGE CONNECTEUR 31 VOIES TIMER HYBRIDE - ETRIER DROIT

UNIDUMENT SCALE: FOUR REFERENCE

SHEET FEUILLE OF DE 1

REV S