



Chipsmall Limited consists of a professional team with an average of over 10 year of expertise in the distribution of electronic components. Based in Hongkong, we have already established firm and mutual-benefit business relationships with customers from,Europe,America and south Asia,supplying obsolete and hard-to-find components to meet their specific needs.

With the principle of “Quality Parts,Customers Priority,Honest Operation,and Considerate Service”,our business mainly focus on the distribution of electronic components. Line cards we deal with include Microchip,ALPS,ROHM,Xilinx,Pulse,ON,Everlight and Freescale. Main products comprise IC,Modules,Potentiometer,IC Socket,Relay,Connector.Our parts cover such applications as commercial,industrial, and automotives areas.

We are looking forward to setting up business relationship with you and hope to provide you with the best service and solution. Let us make a better world for our industry!



Contact us

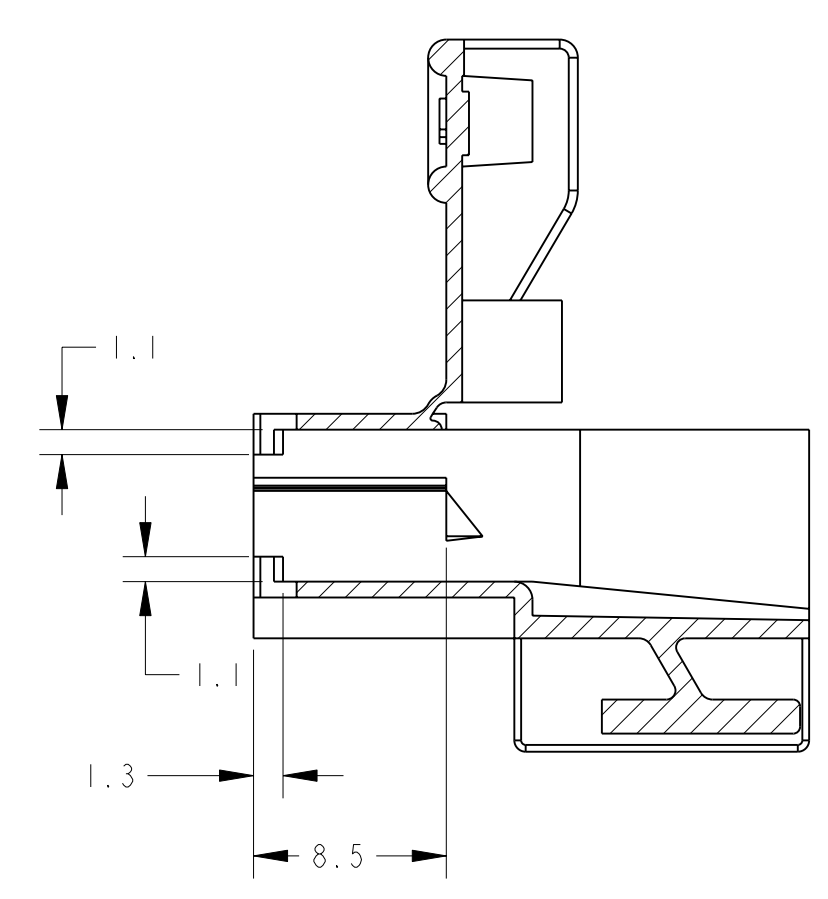
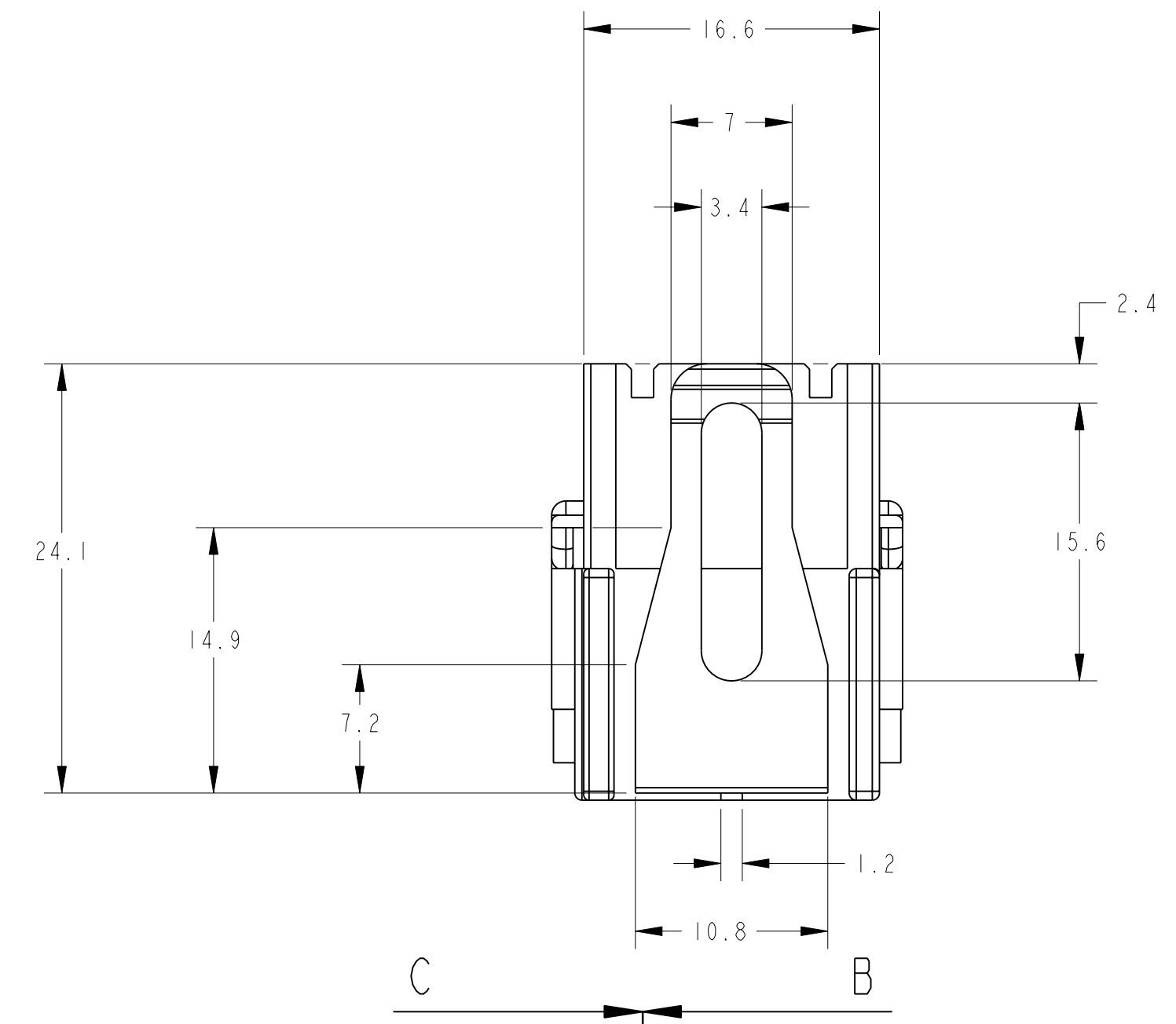
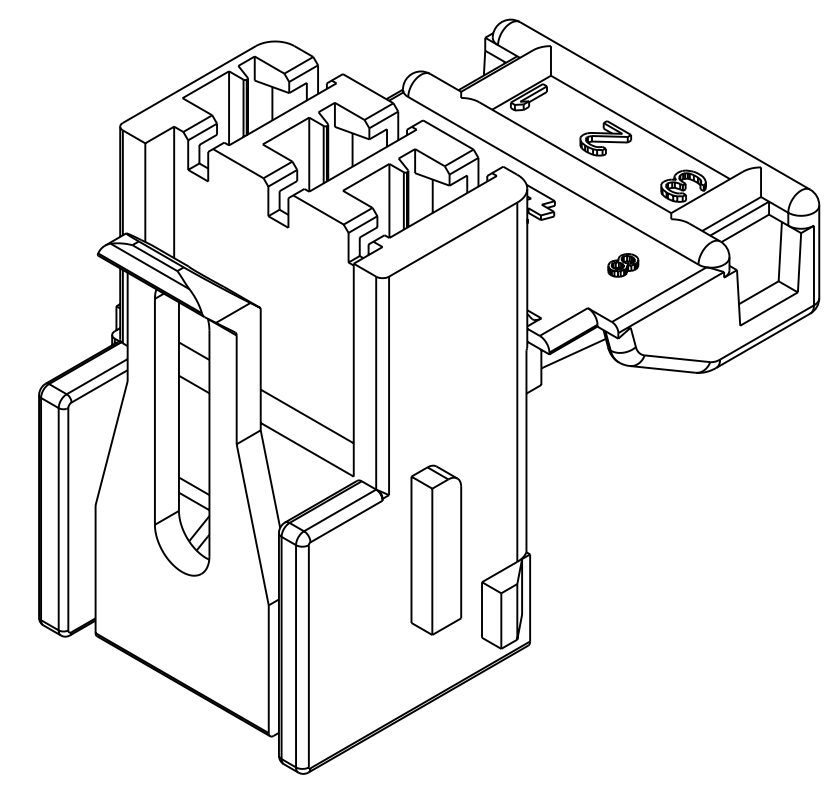
Tel: +86-755-8981 8866 Fax: +86-755-8427 6832

Email & Skype: info@chipsmall.com Web: www.chipsmall.com

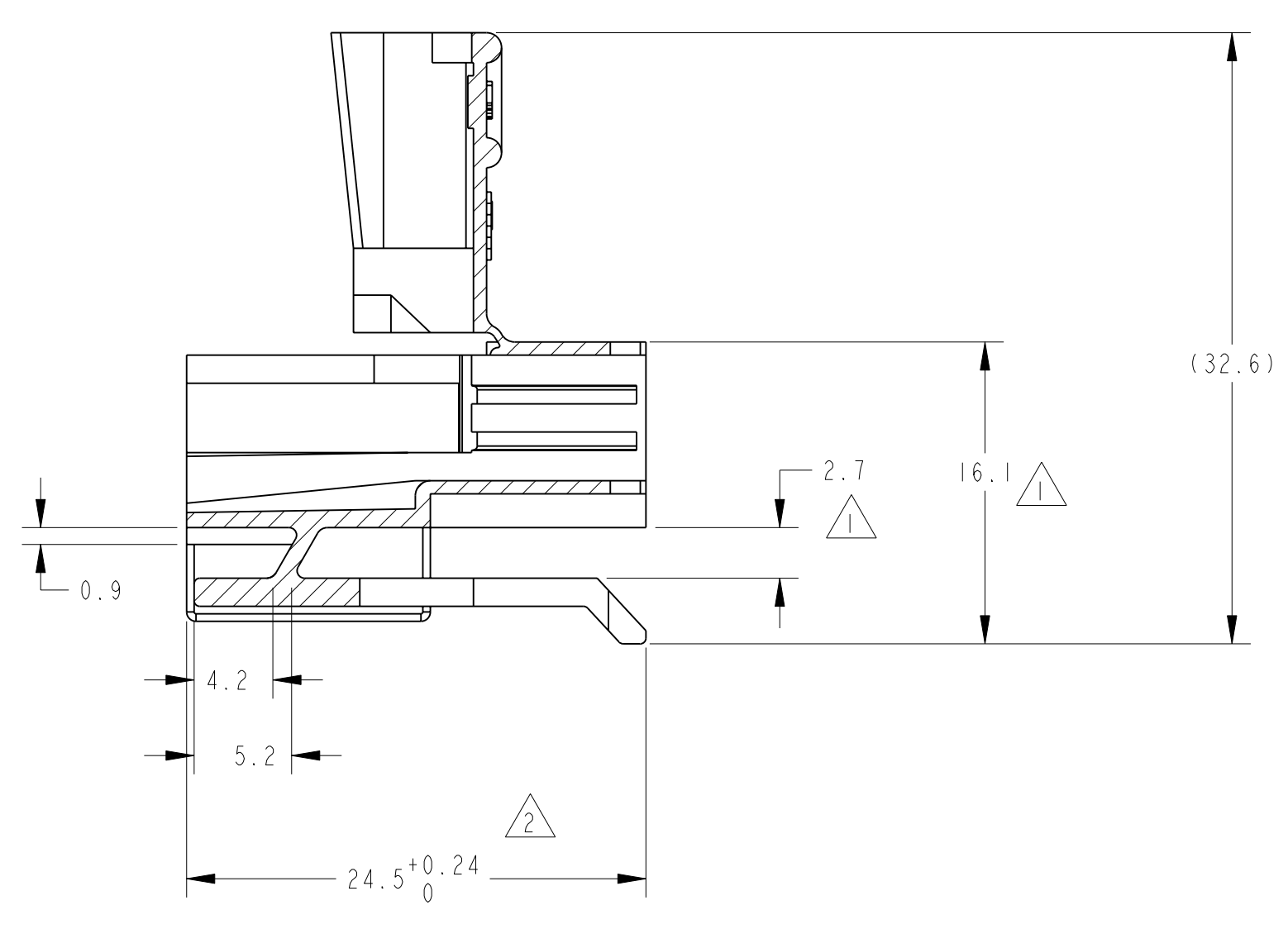
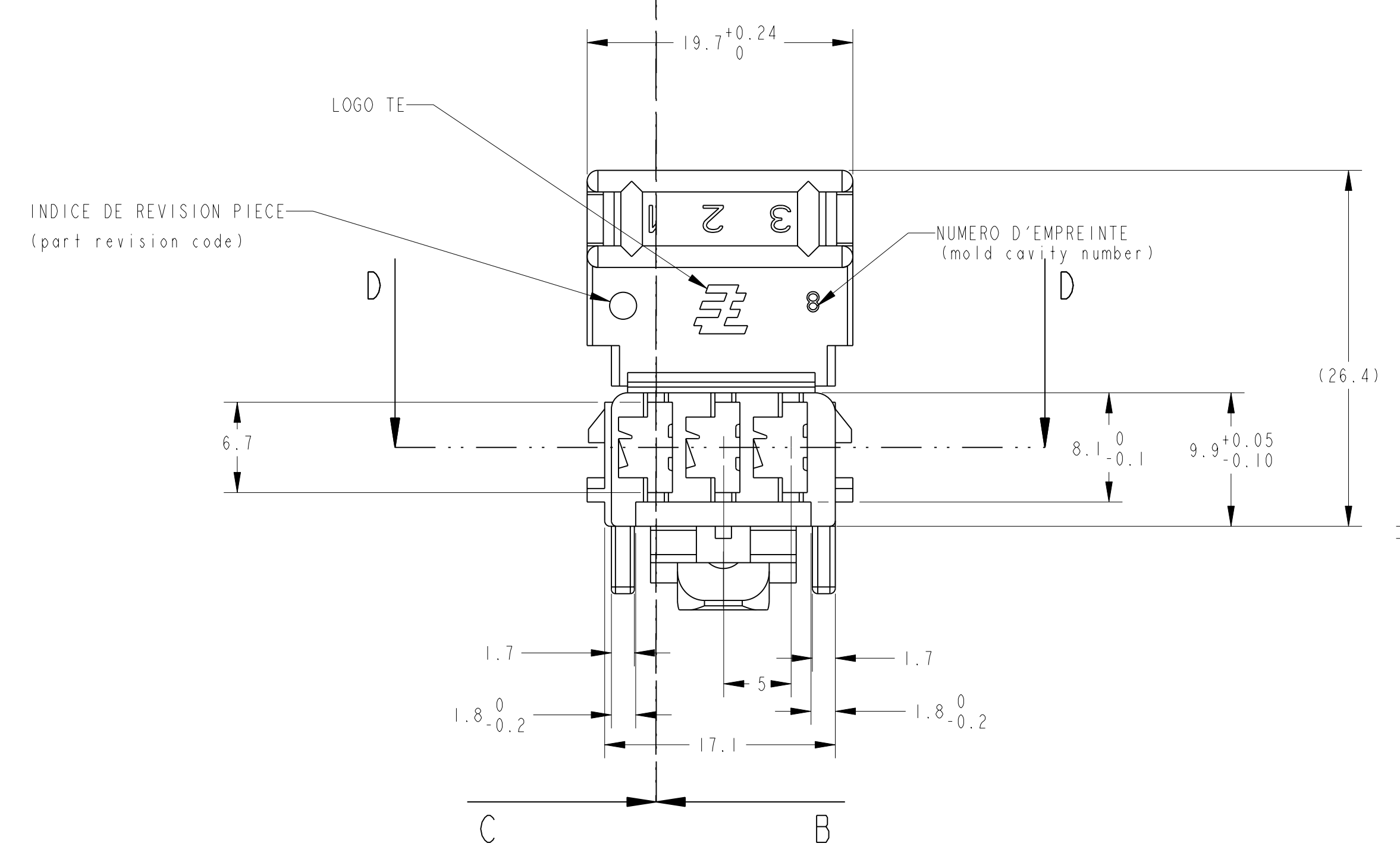
Address: A1208, Overseas Decoration Building, #122 Zhenhua RD., Futian, Shenzhen, China



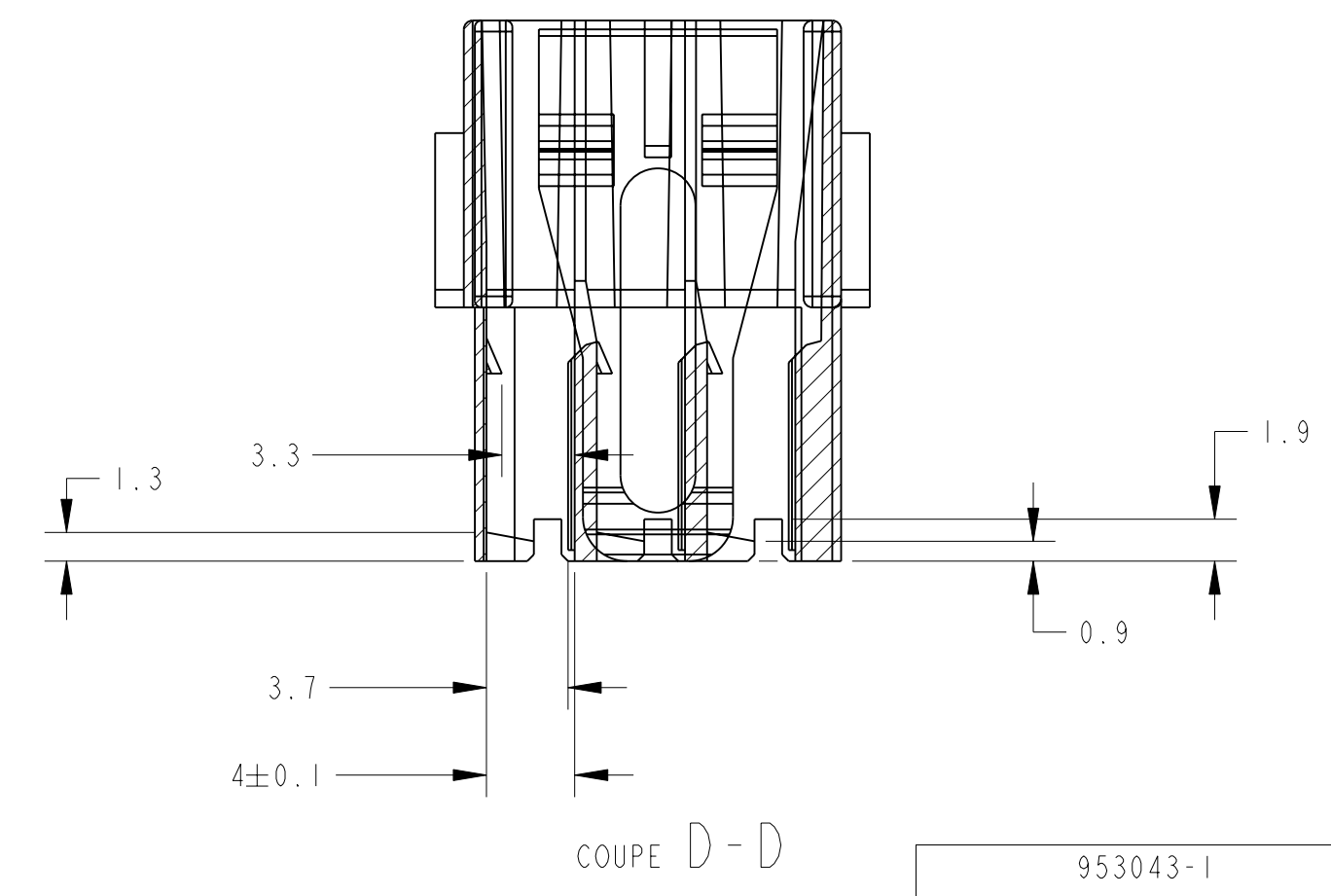
LOC	DIST	REVISIONS						
F	7	P	LTB	REV	DESCRIPTION MODIFICATIONS	DATE	DWN BESS	APVD APP
		C			AJOUT NOTE + COTE REF ENTRE PARENTHESE	18MAR2011	CS	JPP



COUPE B-B
(section)



COUPE C-C
(section)



COUPE D-D

953043-1
 P.N.

2 24.9 MAX ADMIS AVEC DEFORMATION
 (24.9 max authorized with warpage)

1 1.5 MINI ET 14.9 MINI ADMIS AVEC DEFORMATION
 (1.5 min and 14.9min authorized with warpage)

THIS DRAWING IS A CONTROLLED DOCUMENT. CE PLAN EST UN DOCUMENT CONTROLÉ PAR LE INCORPORATEUR. IL EST INSCRIT DANS LE FICHIER DE SERVICE. TOUT CHANGEMENT DE PLAN DOIT ÊTRE NOTIFIÉ À LA DIVISION DE SERVICE.		DWN/DESSINE R. PATIN ZOMAR2001 CHK/VERIFIE ZOMAR2001 JP. PICAUD		NAME TITRE BOITIER POSITIVE LOCK 3 VOIES A LEVIER DE VERROUILLAGE	
DIMENSIONS: mm		TOLERANCES UNLESS OTHERWISE SPECIFIED: 0 PLC / DEC: ± 1 PLC / DEC: ± 2 PLC / DEC: ±0.2 3 PLC / DEC: ± 4 PLC / DEC: ± ANGLES: ±4°		APVD/APPROUVE JJ. REVILL ZOMAR2001 PRODUCT SPEC 108-15113 SPEC. PRODUCT 108-15113 APPLICATION SPEC 114-15008	
MATERIAL MATIERE PA 6.6		FINISH FINITION NOIR		WEIGHT MASSE APPROX 0,0028kg CUSTOMER DRAWING /PLAN CLIENT UNIFORMEMENT FOUR REFERENCE	
SIZE FORMAT A1		CAGE CODE 00779		DRAWING NO C-953043	
RESTRICTED TO RESERVE A		SCALE 5:1		SHEET FEUILLE 1 OF 1 REV C	