



Chipsmall Limited consists of a professional team with an average of over 10 year of expertise in the distribution of electronic components. Based in Hongkong, we have already established firm and mutual-benefit business relationships with customers from,Europe,America and south Asia,supplying obsolete and hard-to-find components to meet their specific needs.

With the principle of “Quality Parts,Customers Priority,Honest Operation,and Considerate Service”,our business mainly focus on the distribution of electronic components. Line cards we deal with include Microchip,ALPS,ROHM,Xilinx,Pulse,ON,Everlight and Freescale. Main products comprise IC,Modules,Potentiometer,IC Socket,Relay,Connector.Our parts cover such applications as commercial,industrial, and automotives areas.

We are looking forward to setting up business relationship with you and hope to provide you with the best service and solution. Let us make a better world for our industry!



## Contact us

Tel: +86-755-8981 8866 Fax: +86-755-8427 6832

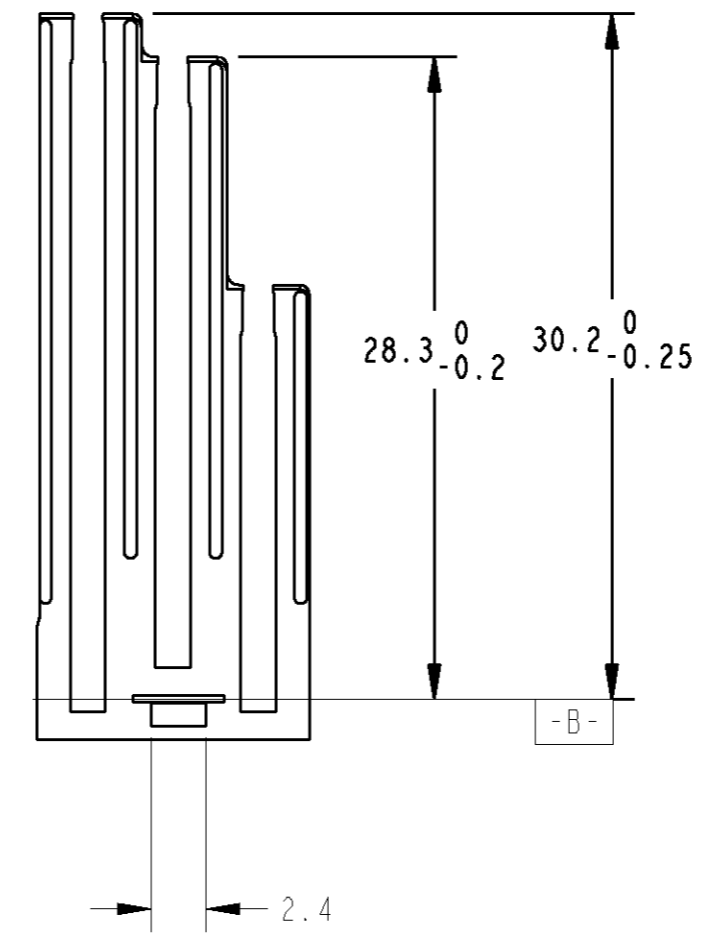
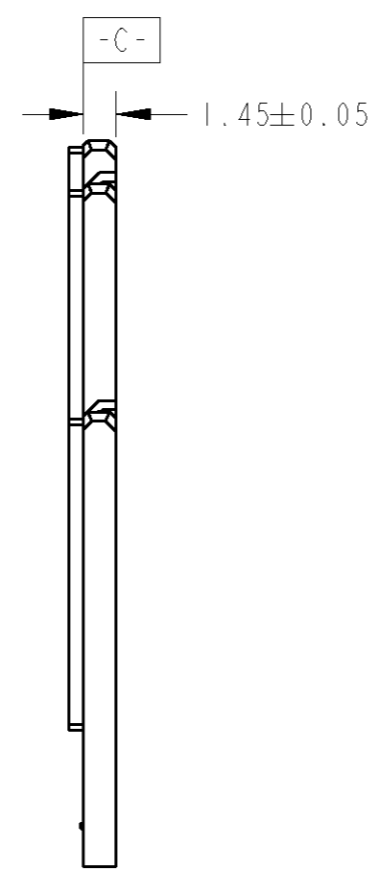
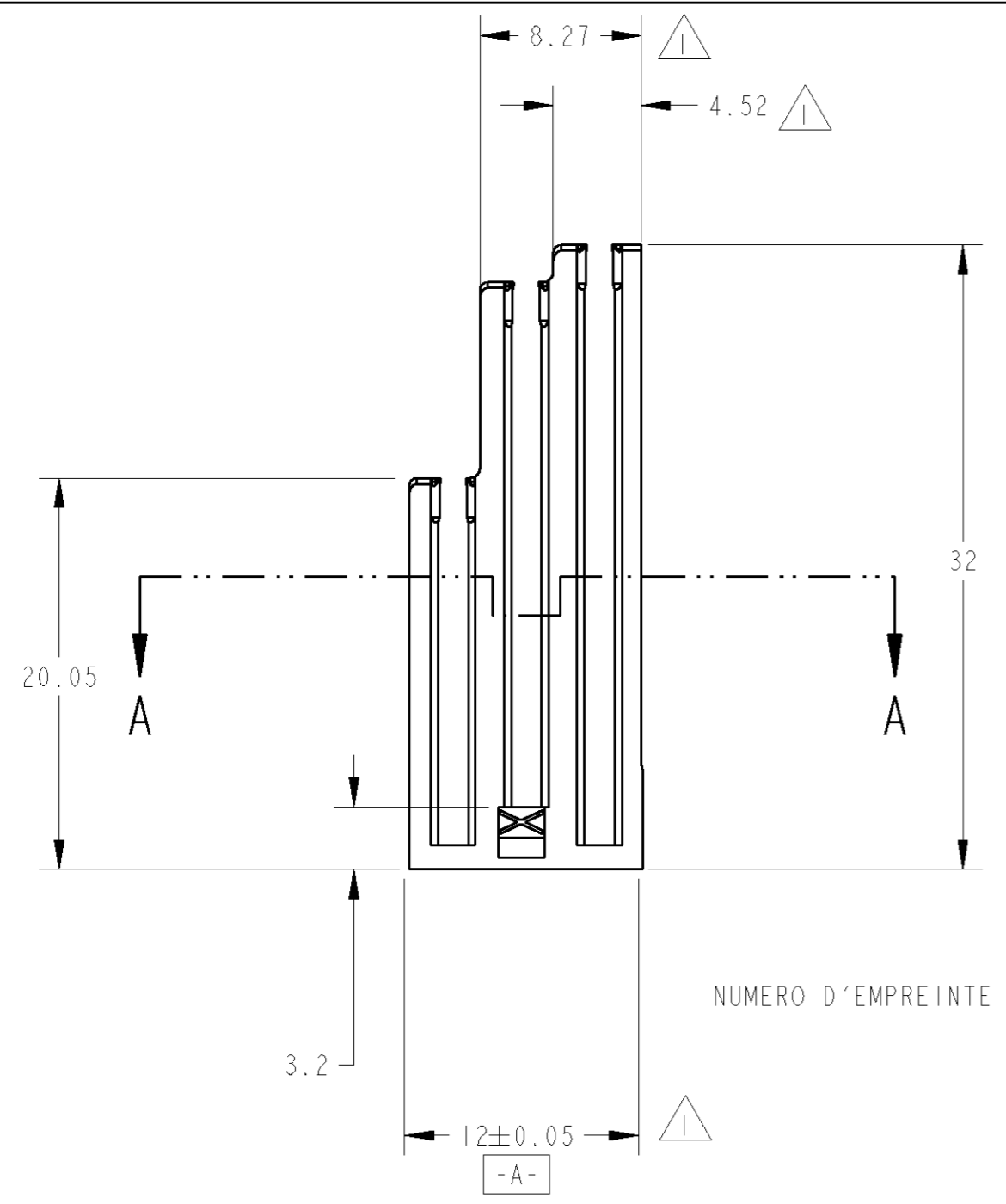
Email & Skype: info@chipsmall.com Web: www.chipsmall.com

Address: A1208, Overseas Decoration Building, #122 Zhenhua RD., Futian, Shenzhen, China

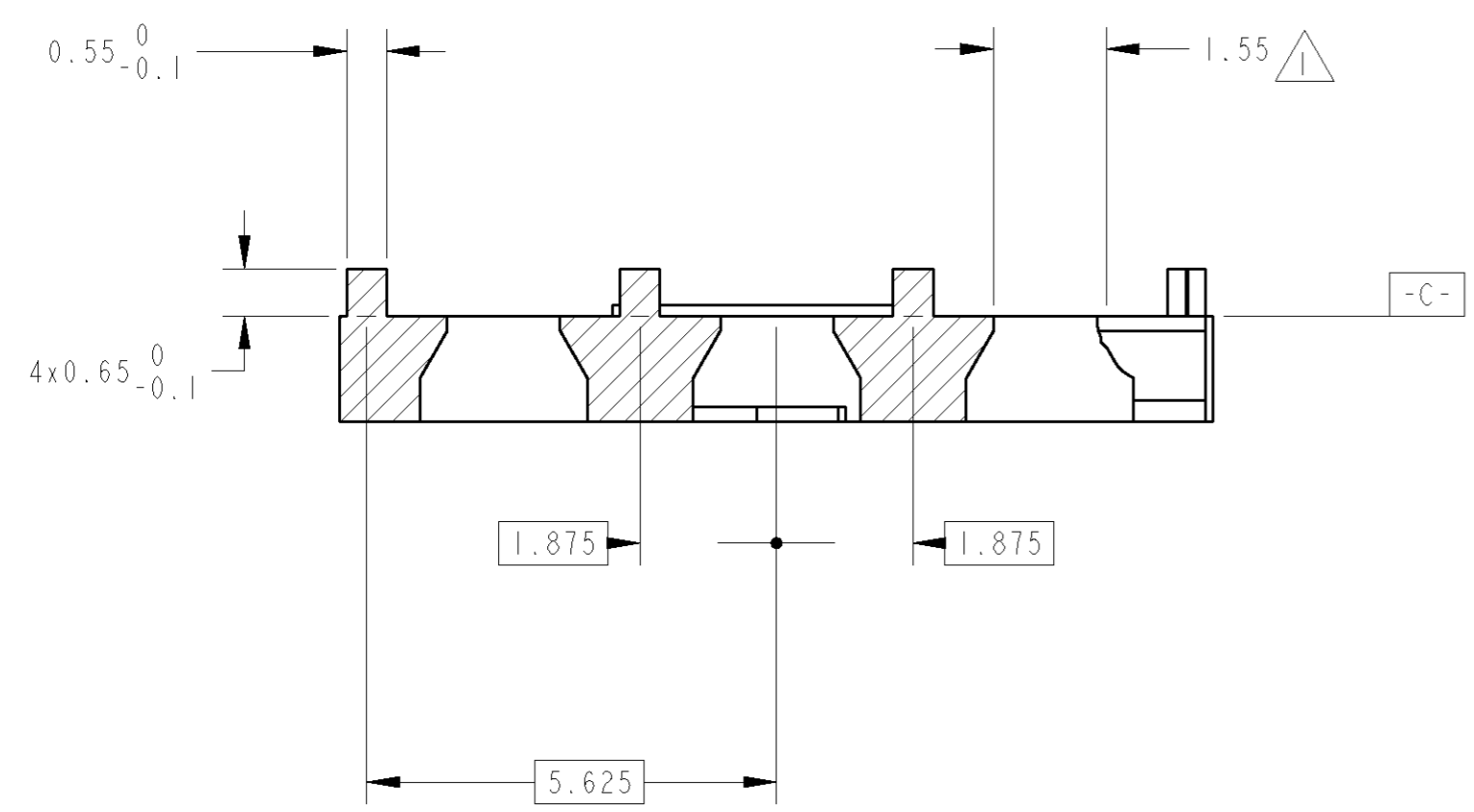


THIS DRAWING IS UNPUBLISHED. RELEASED FOR PUBLICATION  
 DIFFUSION RESTREINTE. LIBRE A LA DIFFUSION  
 © COPYRIGHT 19 BY AMP INCORPORATED. ALL RIGHTS RESERVED.  
 TOUS DROITS RESERVES.

| LOC | DIST | REVISIONS |     |                           |           |           |           |
|-----|------|-----------|-----|---------------------------|-----------|-----------|-----------|
| F   | 14   | P         | LTR | DESCRIPTION MODIFICATIONS | DATE      | DWN BESS. | APVD APP. |
|     |      | A         |     | DESIGN CHANGE             | 21SEP 98  | RB        | -         |
|     |      | B         |     | YELLOW WAS NATURAL        | 20-OCT-98 | RB        |           |
|     |      | C         |     | 12±0.05 ETAIT 12 0/-0.15  | 08-DEC-98 | RB        |           |
|     |      | D         |     | DESIGN CHANGE             | 17-JUN-99 | JPP       |           |



SECTION A-A  
 SCALE 10:1



|          |             |         |
|----------|-------------|---------|
| 953047-1 | PA 6-50% GF | YELLOW  |
| AMP REF. | MATERIAL    | COLOR   |
| 953047-1 | PA 6-50% FV | JAUNE   |
| REF. AMP | MATIERE     | COULEUR |

ADMISSIBLE NIPPING 0.6 PINCEMENT ADMISSIBLE 0.6

|   |  |  |   |
|---|--|--|---|
| <small>THIS DRAWING IS A CONTROLLED DOCUMENT FOR AMP INCORPORATED. IT IS SUBJECT TO CHANGE AND THE CONTROLLING ENGINEERING ORGANIZATION SHOULD BE CONTACTED FOR THE LATEST REVISION. CE PLAN EST UN DOCUMENT CONTRÔLÉ PAR AMP INCORPORATED. IL EST SUSCEPTIBLE D'ÊTRE REVISÉ. CONTACTER LE SERVICE TECHNIQUE D'AMP DE FRANCE POUR OBTENIR LA DERNIÈRE RÉVISION.</small> |  | DWN / DESSINE<br>Regis BONNET 9-jan-98<br>CHK / VÉRIFIÉ<br>JP. PICAUD jan-98<br>APVD / APPROUVE<br>JJ REVII jan-98 | NAME<br>TITRE<br>MT SECONDARY LOCK<br>FOR 31 WAYS HYBRID TIMER CONNECTOR<br>VERROU SECONDAIRE MT POUR CONNECTIQUE 31 VOIES TIMER HYBRIDE        |
| DIMENSIONS:<br>mm   | TOLERANCES UNLESS OTHERWISE SPECIFIED:<br>TOLERANCES NON SPECIFIÉES (SILLY NR DE DECIMALES)<br>±<br>±0.2<br>±<br>ANGLES<br>FINISH FINITION ±5° | PRODUCT SPEC<br>SPEC. PRODUIT<br>108-15172<br>APPLICATION SPEC<br>SPEC. APPLICATION<br>411-15599                   | SIZE FORMAT<br>A2<br>CAGE CODE<br>00779<br>DRAWING NO<br>No PLAN<br>C-953047  |
| MATERIAL MATIERE<br>SEE TABLE   | FINISH FINITION<br>SEE TABLE   | WEIGHT<br>MASSE APPROX.<br>0.3gr   | RESTRICTED TO RESERVE A<br>-<br>CUSTOMER DRAWING / PLAN CLIENT<br>UNIFORMEMENT POUR REFERENCE<br>SCALE ECHELLE 3:1<br>SHEET FEUILLE OF DE REV D |