



Chipsmall Limited consists of a professional team with an average of over 10 year of expertise in the distribution of electronic components. Based in Hongkong, we have already established firm and mutual-benefit business relationships with customers from,Europe,America and south Asia,supplying obsolete and hard-to-find components to meet their specific needs.

With the principle of “Quality Parts,Customers Priority,Honest Operation,and Considerate Service”,our business mainly focus on the distribution of electronic components. Line cards we deal with include Microchip,ALPS,ROHM,Xilinx,Pulse,ON,Everlight and Freescale. Main products comprise IC,Modules,Potentiometer,IC Socket,Relay,Connector.Our parts cover such applications as commercial,industrial, and automotives areas.

We are looking forward to setting up business relationship with you and hope to provide you with the best service and solution. Let us make a better world for our industry!



Contact us

Tel: +86-755-8981 8866 Fax: +86-755-8427 6832

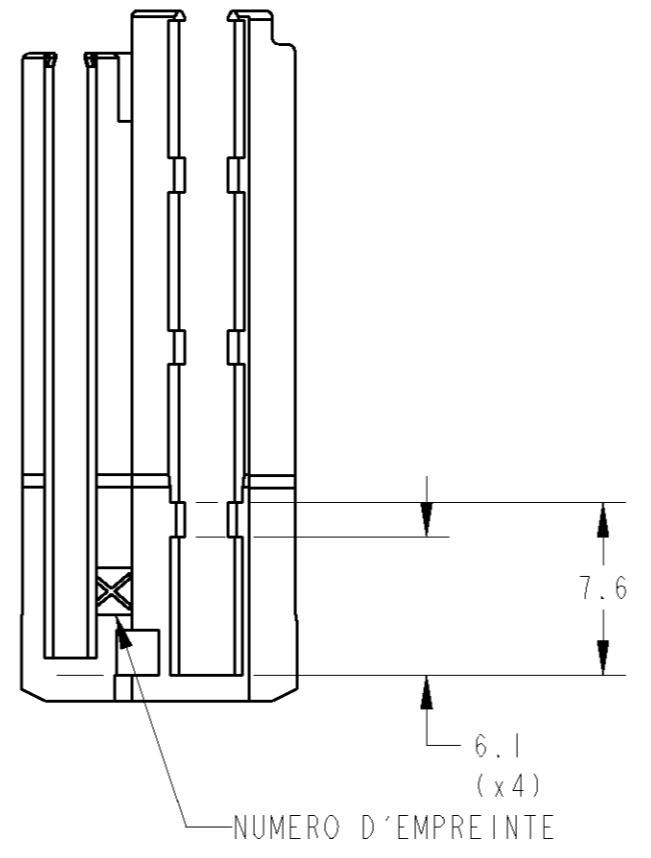
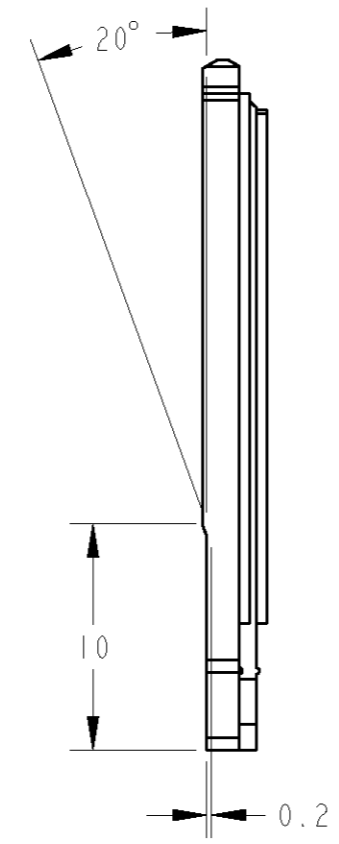
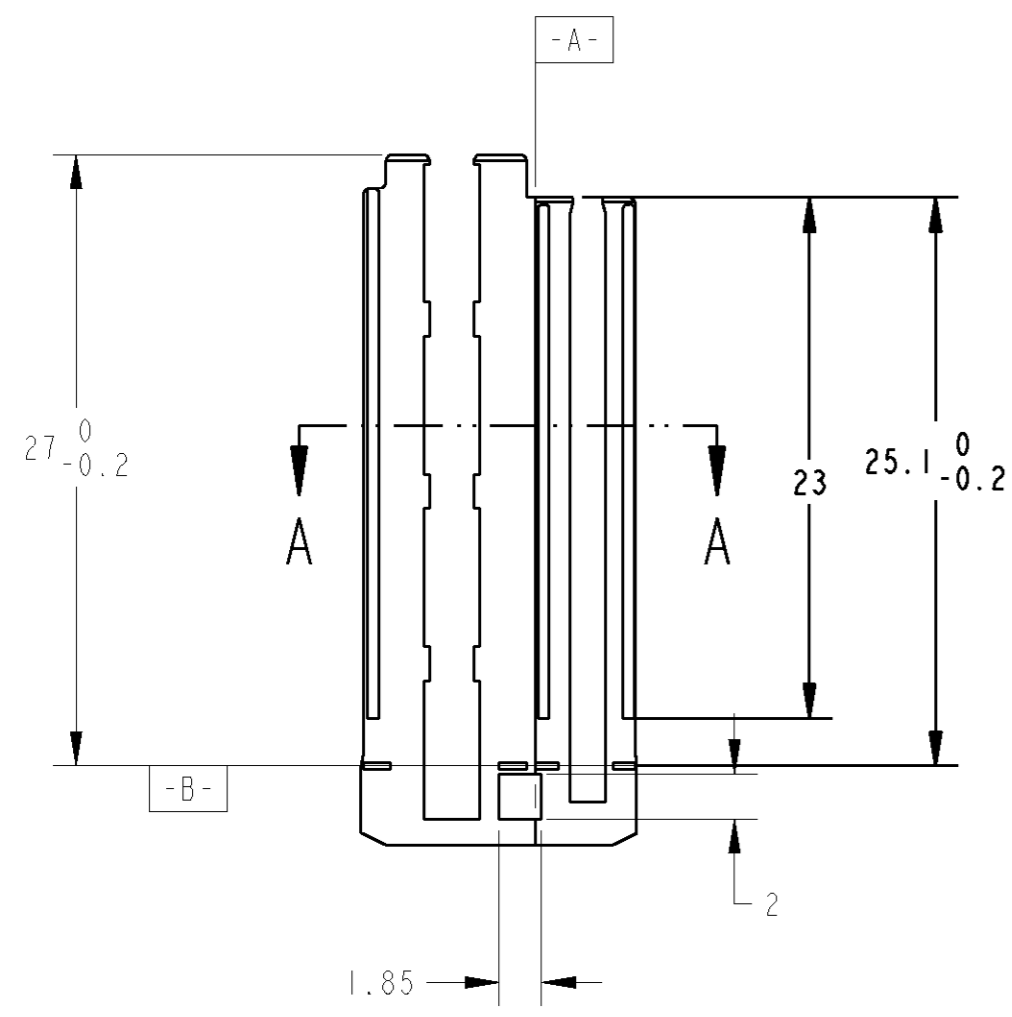
Email & Skype: info@chipsmall.com Web: www.chipsmall.com

Address: A1208, Overseas Decoration Building, #122 Zhenhua RD., Futian, Shenzhen, China

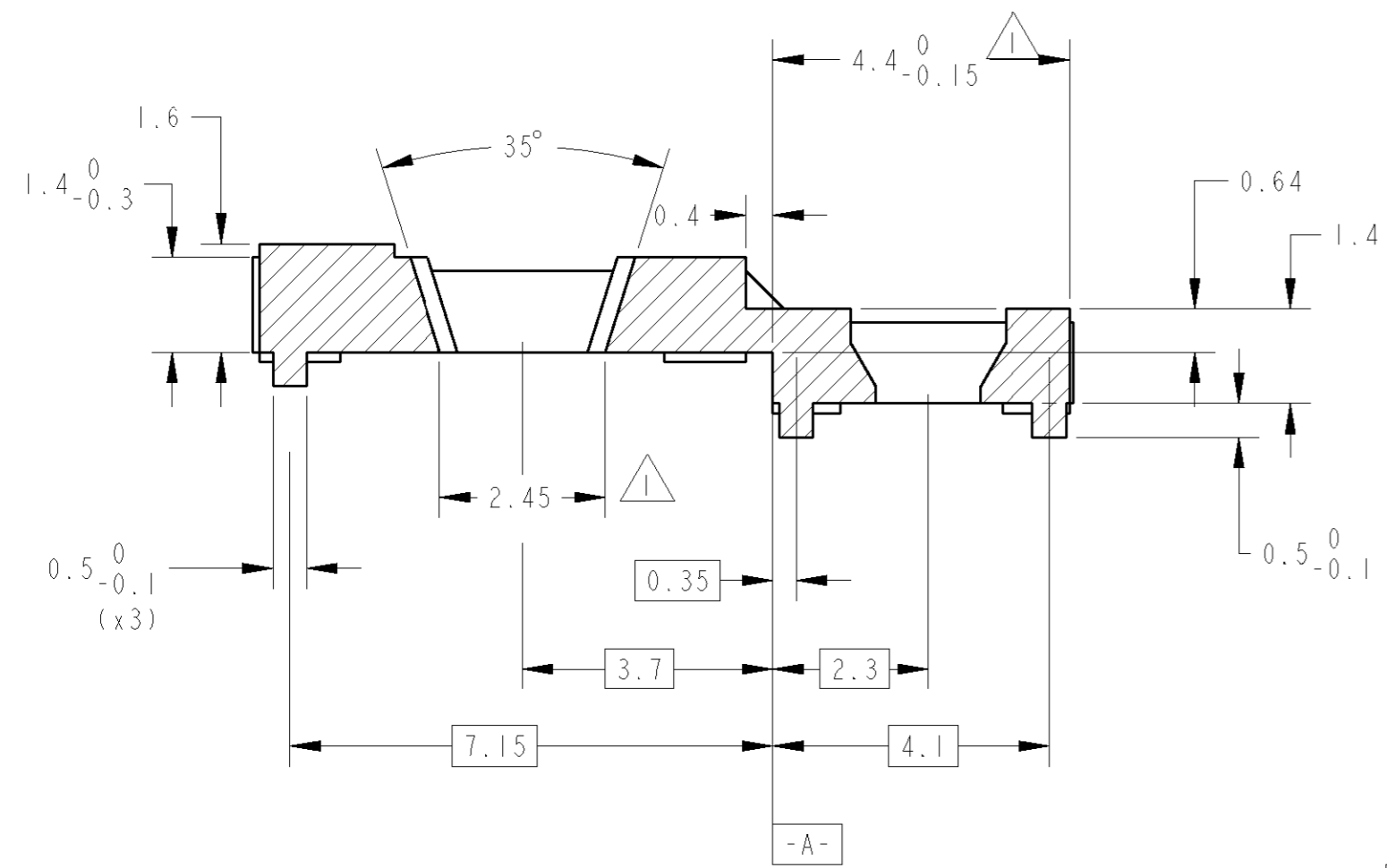


THIS DRAWING IS UNPUBLISHED. RELEASED FOR PUBLICATION. DIFFUSION RESTREINTE. LIBRE A LA DIFFUSION. BY AMP INCORPORATED. ALL RIGHTS RESERVED. TOUS DROITS RESERVES.

LOC	DIST	REVISIONS					
F	7	P	LTR	DESCRIPTION MODIFICATIONS	DATE	DWN DESS.	APVD APP.
		A		DESIGN CHANGE	21SEP 98	RB	-
		B		ORANGE WAS WHITE	20-OCT-98	RB	
		C		PVS-5H WAS PBT 20% FV	14-DEC-98	RB	
		D		2MM RIB ADDITION UP TO 1.6 THICK	27APR2000	JPP	JJR



SECTION A-A
SCALE 10:1



△ ADMISSIBLE NIPPING 0.2 PINCEMENT ADMISSIBLE 0.2

953048-1	PA 6-50% FV	ORANGE
AMP REF. (REF. AMP)	MATERIAL (MATIERE)	COLOR (COULEUR)

<small>THIS DRAWING IS A CONTROLLED DOCUMENT FOR AMP INCORPORATED. IT IS SUBJECT TO CHANGE AND THE CONTROLLING ENGINEERING ORGANIZATION SHOULD BE CONTACTED FOR THE LATEST REVISION. CE PLAN EST UN DOCUMENT CONTROLÉ PAR AMP INCORPORATED. IL EST SUSCEPTIBLE D'ÊTRE REVISÉ. CONTACTER LE SERVICE TECHNIQUE D'AMP DE FRANCE POUR OBTENIR LA DERNIÈRE REVISION.</small>		DWN /DESSINE 8-jan-97 Regis BONNET CHK /VERIFIE 18-JUL-97 JP. PICAUD APVD /APPROUVE 18-JUL-97 JP. PICAUD	AMP DE FRANCE 95301 PONTOISE
DIMENSIONS: mm TOLERANCES UNLESS OTHERWISE SPECIFIED: (SILLY NR DE DECIMALES) ± ±0.2 ±	PRODUCT SPEC 108-15172 APPLICATION SPEC 411-15599	NAME TITRE MT/SPT SECONDARY LOCK FOR 31 WAYS HYBRID TIMER CONNECTOR ERROU SECONDAIRE MT/SPT POUR CONNECTIQUE 31 VOIES TIMER HYBRIDE	
MATERIAL MATIERE SEE TABLE FINISH FINITION SEE TABLE	WEIGHT MASSE APPROX. 0.35gr	SIZE FORMAT A2 CAGE CODE 00779 DRAWING NO No PLAN C-953048	RESTRICTED TO RESERVE A - UNIFORMEMENT POUR REFERENCE SCALE ECHELLE 3:1 SHEET FEUILLE OF DE REV D
CUSTOMER DRAWING /PLAN CLIENT			