



Chipsmall Limited consists of a professional team with an average of over 10 year of expertise in the distribution of electronic components. Based in Hongkong, we have already established firm and mutual-benefit business relationships with customers from,Europe,America and south Asia,supplying obsolete and hard-to-find components to meet their specific needs.

With the principle of “Quality Parts,Customers Priority,Honest Operation,and Considerate Service”,our business mainly focus on the distribution of electronic components. Line cards we deal with include Microchip,ALPS,ROHM,Xilinx,Pulse,ON,Everlight and Freescale. Main products comprise IC,Modules,Potentiometer,IC Socket,Relay,Connector.Our parts cover such applications as commercial,industrial, and automotives areas.

We are looking forward to setting up business relationship with you and hope to provide you with the best service and solution. Let us make a better world for our industry!



Contact us

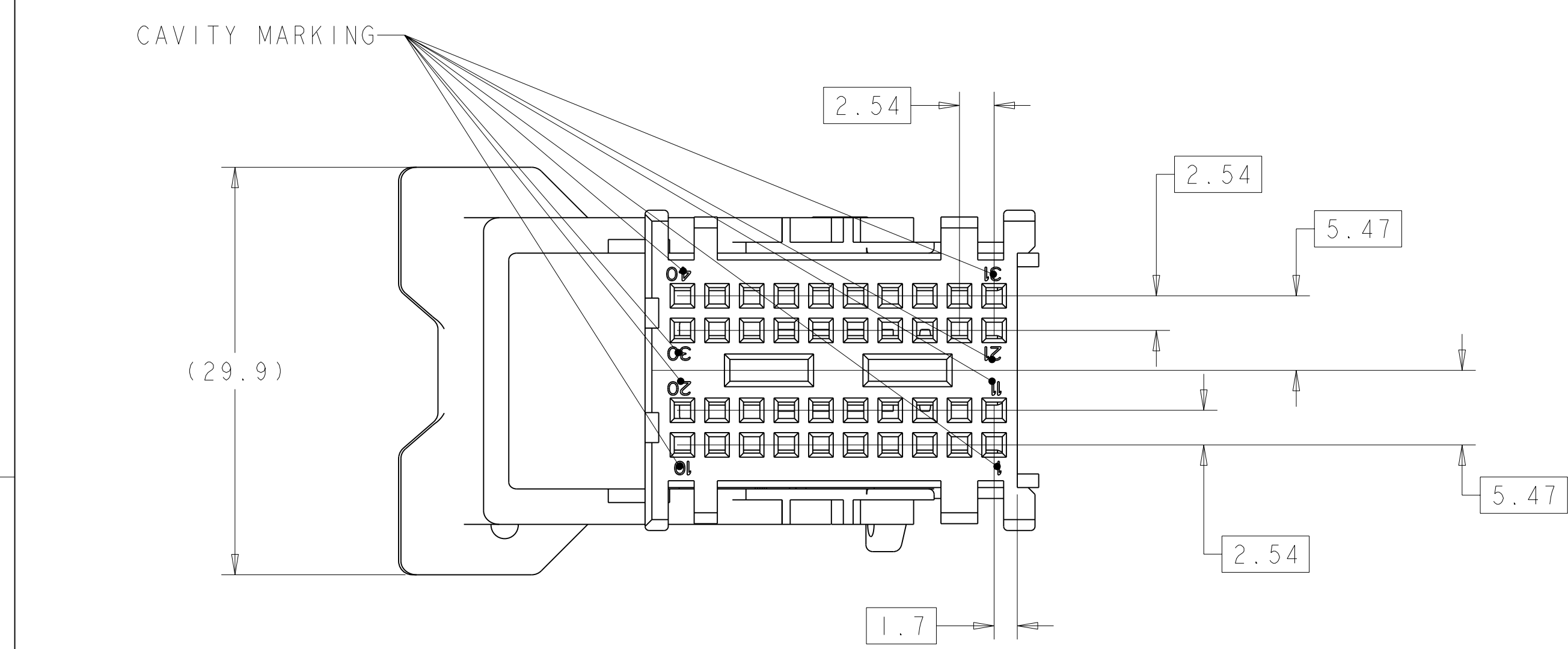
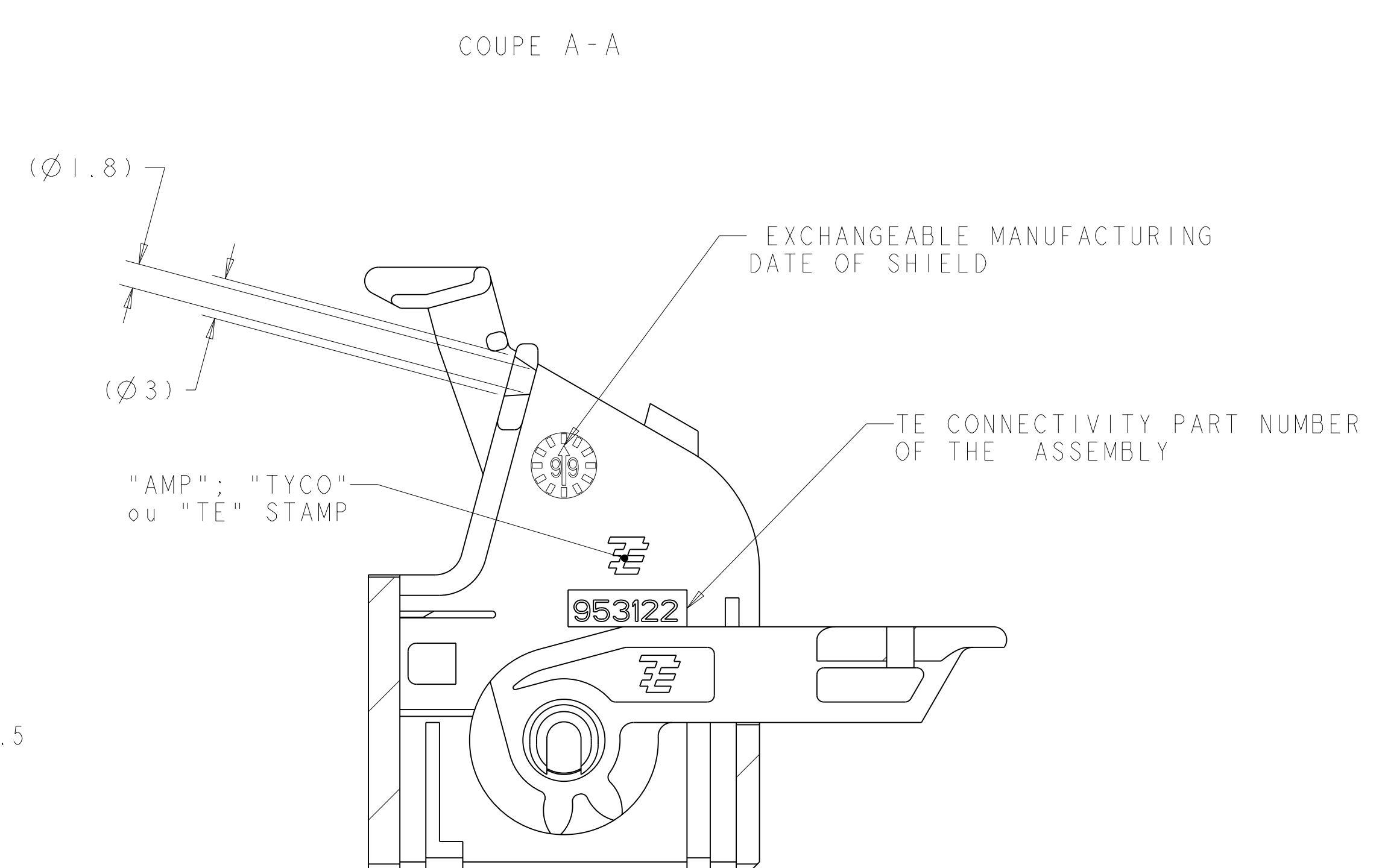
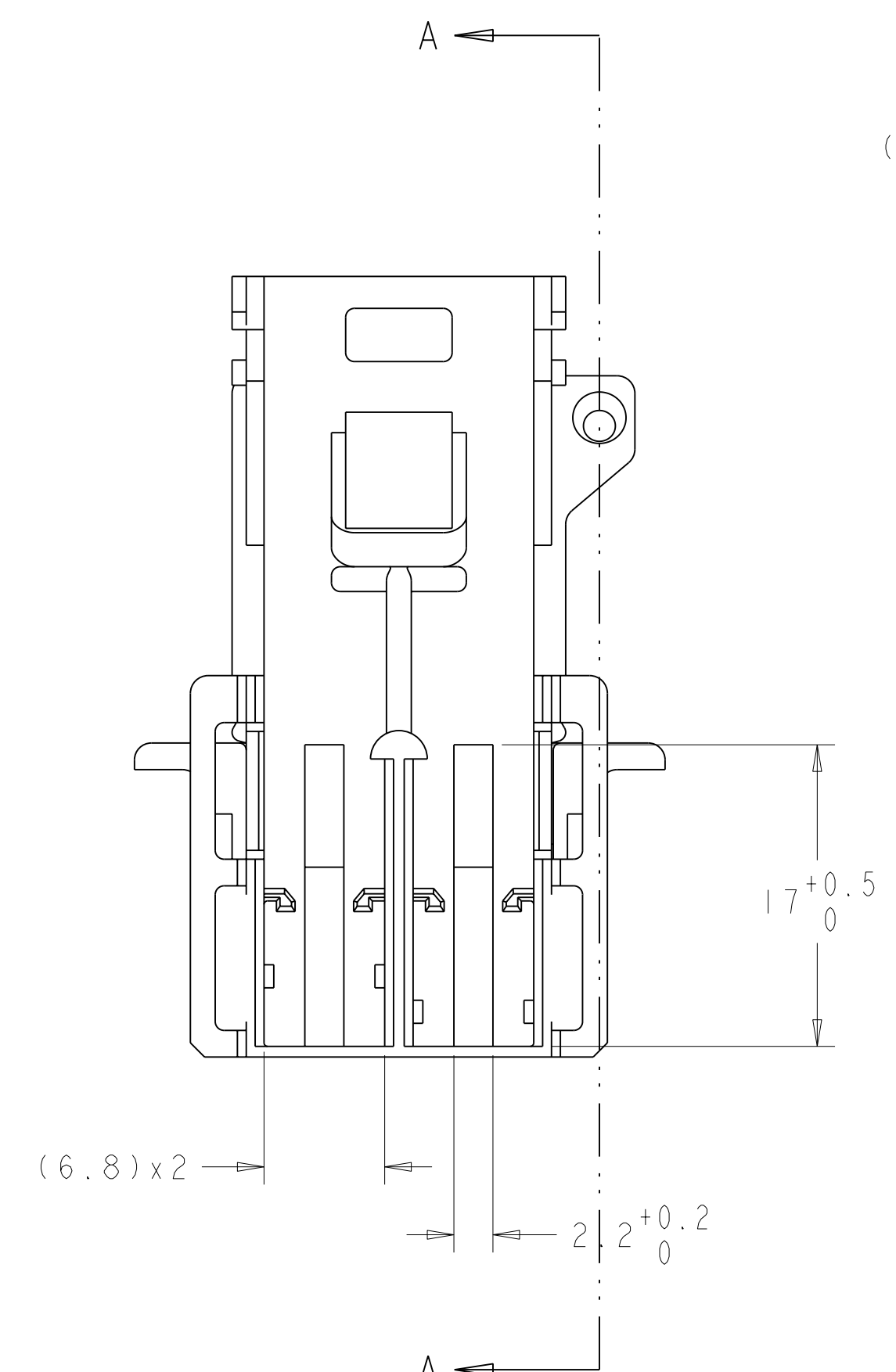
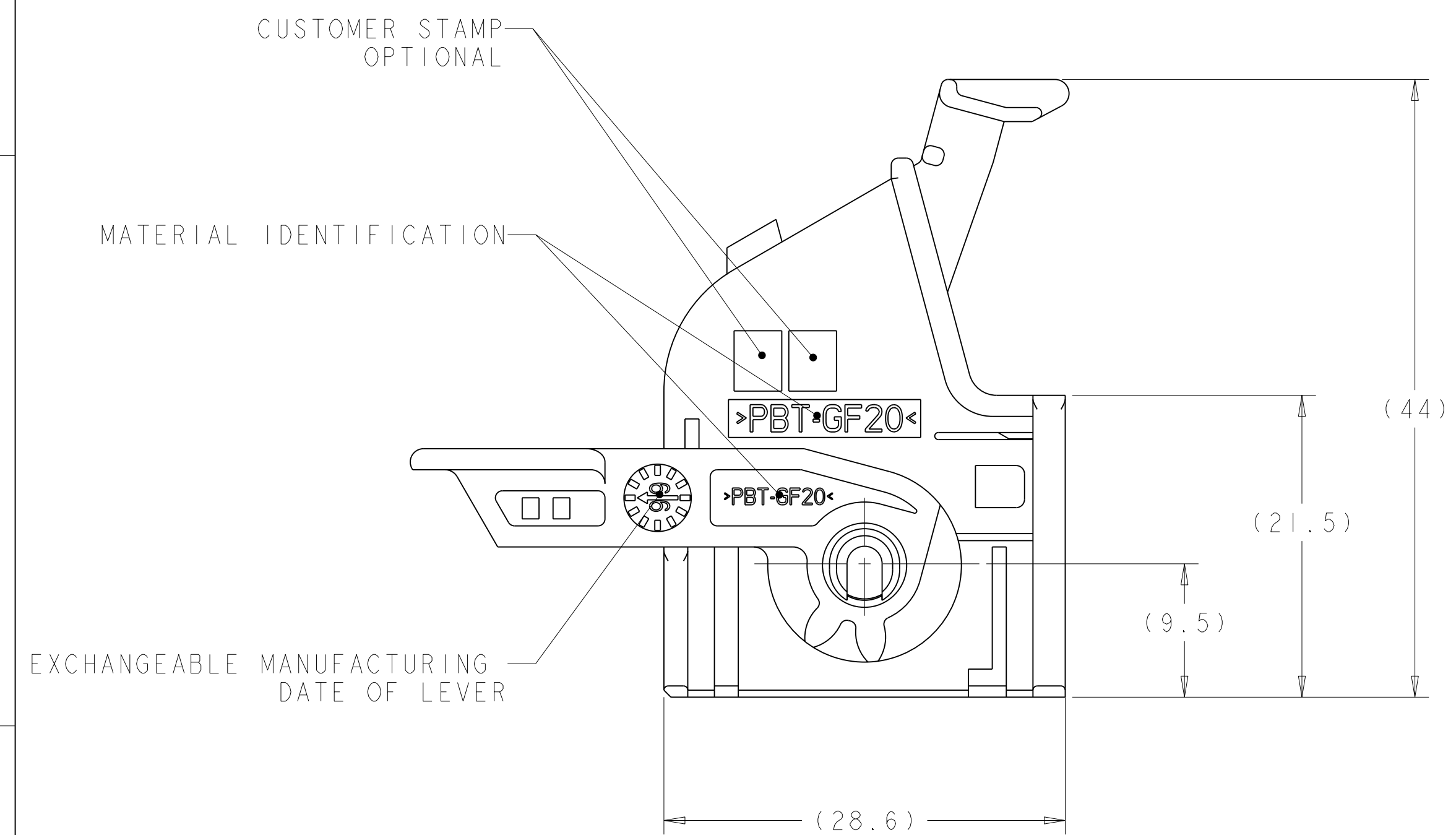
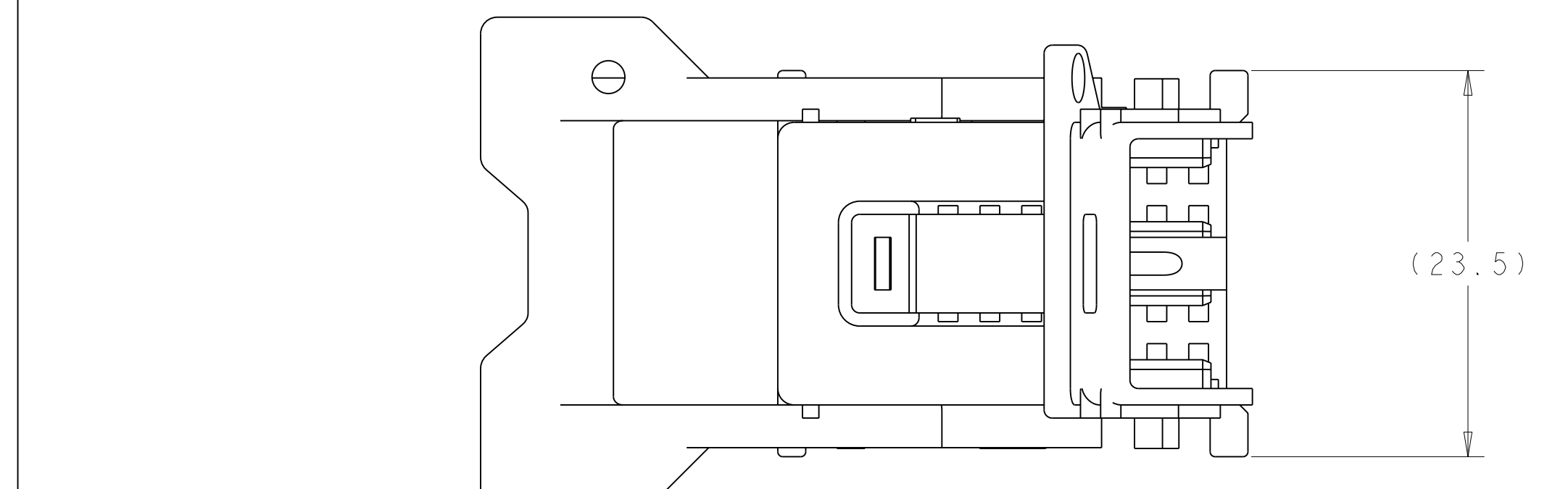
Tel: +86-755-8981 8866 Fax: +86-755-8427 6832

Email & Skype: info@chipsmall.com Web: www.chipsmall.com

Address: A1208, Overseas Decoration Building, #122 Zhenhua RD., Futian, Shenzhen, China



LOC		DIST		REVISIONS			
F	00	P	LTR	DESCRIPTION	DATE	DWN	APVD
		REV		MODIFICATIONS		DESS	APP
		A1		REVISED PER ECO-11-005150	28MAR2011	RK	HMR



Nota:
 PARKAGING FOLLOWING SPEC TE CONNECTIVITY: 107-18078 and 107-15368
 PART TO USE WITH:
 SOCKET HOUSING 20 WAYS BROWN REF 953119-3
 SOCKET HOUSING 20 WAYS GREEN REF 953119-1
 CONTACT MQS REF /144969-X; 1379418-X; 1379419-X
 NUMBER MAXI OF WIRE PERMITTED:
 40 WIRES SECTION 0.75mm² (Ø maxi insult 1.9mm)
 RECOMMANDATION SPEC: 411-15597

THIS DRAWING IS A CONTROLLED DOCUMENT. CE PLAN EST UN DOCUMENT CONTROLÉ PAR AMP INCORPORATÉ. IL EST INTERDIT DE LE REPRODUIRE, COMMUNIQUER OU SERVIR. TOUTES LES MODIFICATIONS DOIVENT ÊTRE ENREGISTRÉES.		DWN/DESSINE: 08FEB2005 M. POLIFONTE	TE Connectivity
DIMENSIONS: mm		CHK/VERIFIE: 09FEB2005 X. ROULLARD	
TOLERANCES: UNLESS OTHERWISE SPECIFIED: DECIMALS: ±0.2		APVD/APPROUVE: 09FEB2005 J. DABEZ	NAME/TITRE: ASSEMBLY COVER 40 WAY MQS CABLE-LOCKING AT 15 DEG.
MATERIAL/MATIERE: PBT GF 20		PRODUCT SPEC: 108-15178	SIZE/FORMAT: A1
FINITION: -		APPLICATION SPEC: -	CAGE CODE: -
WEIGHT/MASSE APPROX: 8.9gr		UNIQUEMENT POUR REFERENCE	DRAWING NO: 953122
CUSTOMER DRAWING		/PLAN CLIENT	RESTRICTED TO RESERVE A
SCALE: 2:1		SHEET: 1	OF: 2
ECHELLE: 2:1		FEUILLE: 1	REV: A1

LOC	DIST	REVISIONS						
F	00	P	LTR	REV	DESCRIPTION MODIFICATIONS	DATE	DWN BESS.	APVD APP.
					SEE SHEET 1			

953122-1	SHIELD	2	1	BLACK	PBT GF 20		953122-5	SHIELD	2	1	BLACK	PBT GF 20	
	LEVER	1	1	BLACK	PBT GF 20			LEVER	1	1	BLACK	PBT GF 20	
953122-2	SHIELD	2	1	GREY	PBT GF 20		953122-6	SHIELD	2	1	GREY	PBT GF 20	
	LEVER	1	1	BLACK	PBT GF 20			LEVER	1	1	BLACK	PBT GF 20	
953122-3	SHIELD	2	1	WITHE	PBT GF 20		953122-7	SHIELD	2	1	WITHE	PBT GF 20	
	LEVER	1	1	BLACK	PBT GF 20			LEVER	1	1	BLACK	PBT GF 20	
953122-4	SHIELD	2	1	BLUE	PBT GF 20		953122-8	SHIELD	2	1	BLUE	PBT GF 20	
	LEVER	1	1	BLACK	PBT GF 20			LEVER	1	1	BLACK	PBT GF 20	
TE CONNECTIVITY PART NUMBER	COMPONENT	Rep	Q.	COLOR	MATERIAL	CODING	TE CONNECTIVITY PART NUMBER	COMPONENT	Rep	Q.	COLOR	MATERIAL	CODING

THIS DRAWING IS A CONTROLLED DOCUMENT. CE PLAN EST UN DOCUMENT CONTROLÉ PAR APP INCORPORATED. IL EST INSÉPARABLE DE CE PLAN. CONSTATEZ LE SERVICE TECHNIQUE S'IL Y A UN CHANGEMENT DE RÉVISION.		DWN/BESSINE 08FEB2005 M. POLIFONTE CHK/VERIFIE 09FEB2005 X. ROUILLARD		TE Connectivity	
DIMENSIONS: mm		TOLERANCES, UNLESS OTHERWISE SPECIFIED: mm: ±0.2 mm: ±0.1 mm: ±0.05 mm: ±0.025 mm: ±0.015 mm: ±0.01		APVD/APPROUVE 09FEB2005 J. DAHER	
DIMENSIONS: mm		FINISH: ±0.2		NAME: ASSEMBLY COVER 40 WAY MOS CABLE-LOCKING AT 15 DEG.	
MATERIAL: PBT GF 20		WEIGHT: 8.9gr		SIZE: A1 FORMA: 100779	
CUSTOMER DRAWING		/PLAN CLIENT		RESTRICTED TO RESERVE A	