



Chipsmall Limited consists of a professional team with an average of over 10 year of expertise in the distribution of electronic components. Based in Hongkong, we have already established firm and mutual-benefit business relationships with customers from,Europe,America and south Asia,supplying obsolete and hard-to-find components to meet their specific needs.

With the principle of "Quality Parts,Customers Priority,Honest Operation,and Considerate Service",our business mainly focus on the distribution of electronic components. Line cards we deal with include Microchip,ALPS,ROHM,Xilinx,Pulse,ON,Everlight and Freescale. Main products comprise IC,Modules,Potentiometer,IC Socket,Relay,Connector.Our parts cover such applications as commercial,industrial, and automotives areas.

We are looking forward to setting up business relationship with you and hope to provide you with the best service and solution. Let us make a better world for our industry!



## Contact us

Tel: +86-755-8981 8866 Fax: +86-755-8427 6832

Email & Skype: info@chipsmall.com Web: www.chipsmall.com

Address: A1208, Overseas Decoration Building, #122 Zhenhua RD., Futian, Shenzhen, China



# 3M™ Through-Board Socket

2 mm x 2 mm Straight, Dual Entry, Surface Mount

953 Series



- Optimizes use of PC board space
- High temperature dielectric
- “No lead” reflow solder compatible
- Dual row design, 6–60 pins
- Minimized PC Board stacking heights
- Mates with pin headers for board stacking applications
- RoHS Compliant. See the Regulatory Information Appendix (RIA) in the RoHS compliance section of [www.3Mconnectors.com](http://www.3Mconnectors.com) for compliance information (RIA E1 & C1 apply)

Date Modified: November 26, 2012

TS-2165-F  
Sheet 1 of 2

---

## Physical

### Insulation

Material: High Temperature Thermoplastic  
Flammability: UL 94V-0  
Color: Black

### Contact

Material: Copper Alloy

### Plating

Underplating: 1.25–2.5  $\mu\text{m}$  [50–100  $\mu\text{in}$ ] Nickel  
Wiping Area: Flash Gold  
Solder Tail Area: 1–3  $\mu\text{m}$  [40–118  $\mu\text{in}$ ] Matte Tin

---

## Electrical

**Current Rating:** 1 A  
**Insulation Resistance:**  $> 5 \times 10^8$  Ohm at 100 V<sub>DC</sub>  
**Withstanding Voltage:** 1000 V<sub>DC</sub>  
**Transition Resistance:**  $\leq 20$  mOhm

---

## Environmental

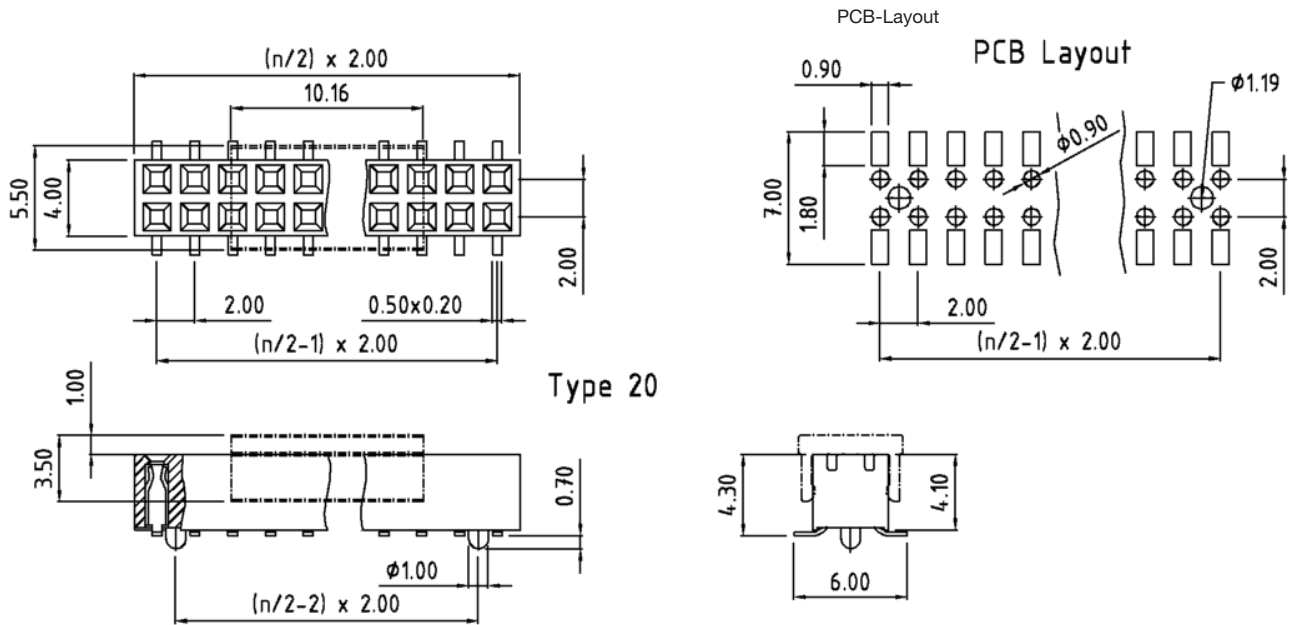
**Temperature Range:** -40 °C to +105 °C  
**Processing Temperature:** max. 260 °C (Profile per J-STD-020C)  
**Moisture Sensitivity Level:** 1 (per J-STD-020C)

UL File No.: E68080

# 3M™ Through-Board Socket

2 mm x 2 mm Straight, Dual Entry, Surface Mount

953 Series



Type 20



Tape & Reel Option						
Contact Quantity	10-14	16-18	20-30	32-44	46-58	60
Tape Width [mm]	24	32	44	56	72	88

n = No. of Contacts

Tolerance Unless Noted [mm]				
Nominal Size	0.5-3	3-6	6-30	30-120
Linear Dim	+/- 0.1	+/- 0.1	+/- 0.2	+/- 0.3
Radii	+/- 0.2	+/- 0.5	+/- 1	+/- 1

## Ordering Information

**9532XX - 20X0 - AR - XX** (RIA E1 & C1 Apply)

Contact Quantity:  
06-60 Pins

Tail Style:  
2 = Straight,  
Surface Mount

Packaging:  
TP = Tube  
PT = Tube with Pad 10 to 60 pos  
PR = Tape & Reel with Pad 10 to 60 pos

Board Location Features:  
0 = none  
2 = with Loc. Posts  
(8-16 Contacts)

see packaging option

TS-2165-F  
Sheet 2 of 2

#### **Important Notice**

All statements, technical information, and recommendations related to 3M's products are based on information believed to be reliable, but the accuracy or completeness is not guaranteed. Before using this product, you must evaluate it and determine if it is suitable for your intended application. You assume all risks and liability associated with such use. Any statements related to the product which are not contained in 3M's current publications, or any contrary statements contained on your purchase order shall have no force or effect unless expressly agreed upon, in writing, by an authorized officer of 3M.

#### **Warranty; Limited Remedy; Limited Liability.**

This product will be free from defects in material and manufacture for a period of ninety (90) days from the time of purchase. **3M MAKES NO OTHER WARRANTIES INCLUDING, BUT NOT LIMITED TO, ANY IMPLIED WARRANTY OF MERCHANTABILITY OR FITNESS FOR A PARTICULAR PURPOSE.** If this product is defective within the warranty period stated above, your exclusive remedy shall be, at 3M's option, to replace or repair the 3M product or refund the purchase price of the 3M product. **Except where prohibited by law, 3M will not be liable for any indirect, special, incidental or consequential loss or damage arising from this 3M product, regardless of the legal theory asserted.**



#### **3M Electronics Solutions Division**

6801 River Place Blvd.  
Austin, TX 78726-9000  
U.S.A.  
1-800-225-5373  
www.3Mconnectors.com

Please recycle. Printed in USA.  
© 3M 2012. All rights reserved.  
RIA-2217B-E

3M is a trademark of 3M Company.