



Chipsmall Limited consists of a professional team with an average of over 10 year of expertise in the distribution of electronic components. Based in Hongkong, we have already established firm and mutual-benefit business relationships with customers from,Europe,America and south Asia,supplying obsolete and hard-to-find components to meet their specific needs.

With the principle of “Quality Parts,Customers Priority,Honest Operation,and Considerate Service”,our business mainly focus on the distribution of electronic components. Line cards we deal with include Microchip,ALPS,ROHM,Xilinx,Pulse,ON,Everlight and Freescale. Main products comprise IC,Modules,Potentiometer,IC Socket,Relay,Connector.Our parts cover such applications as commercial,industrial, and automotives areas.

We are looking forward to setting up business relationship with you and hope to provide you with the best service and solution. Let us make a better world for our industry!



Contact us

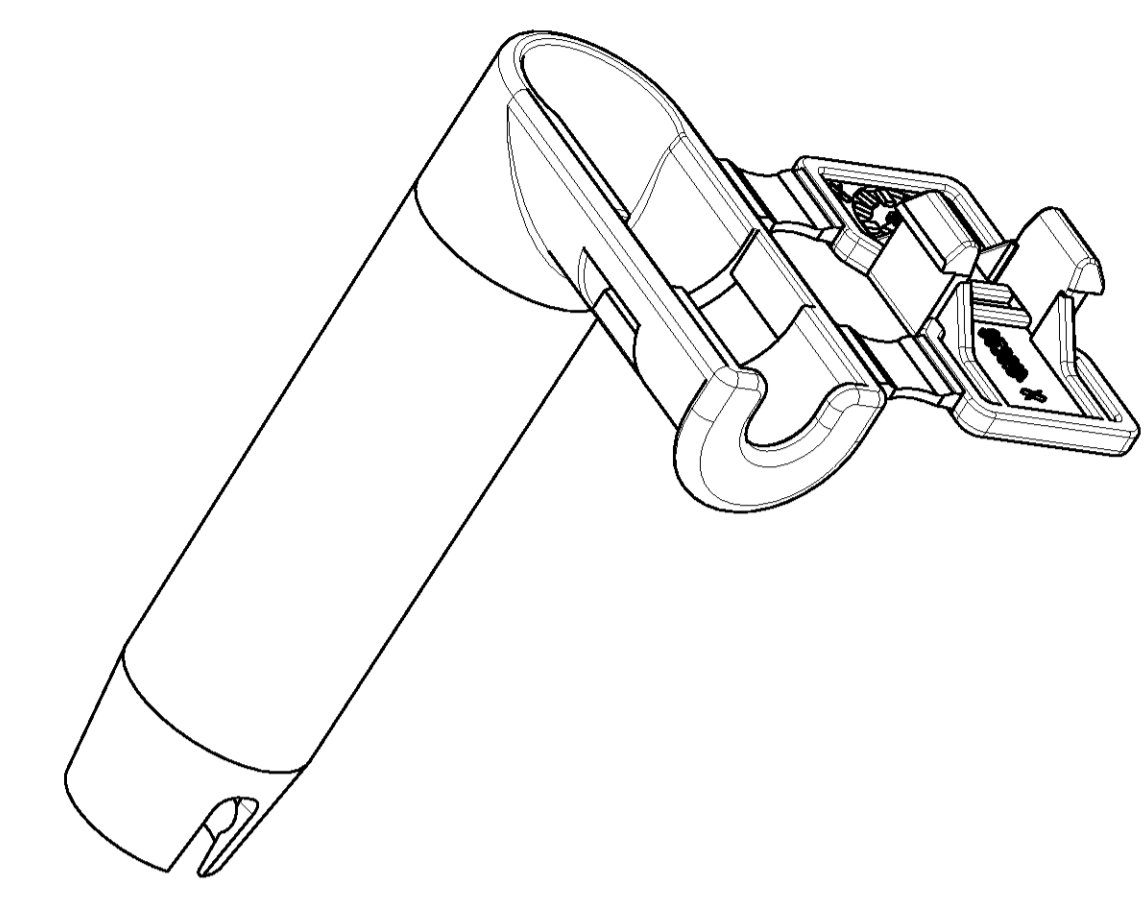
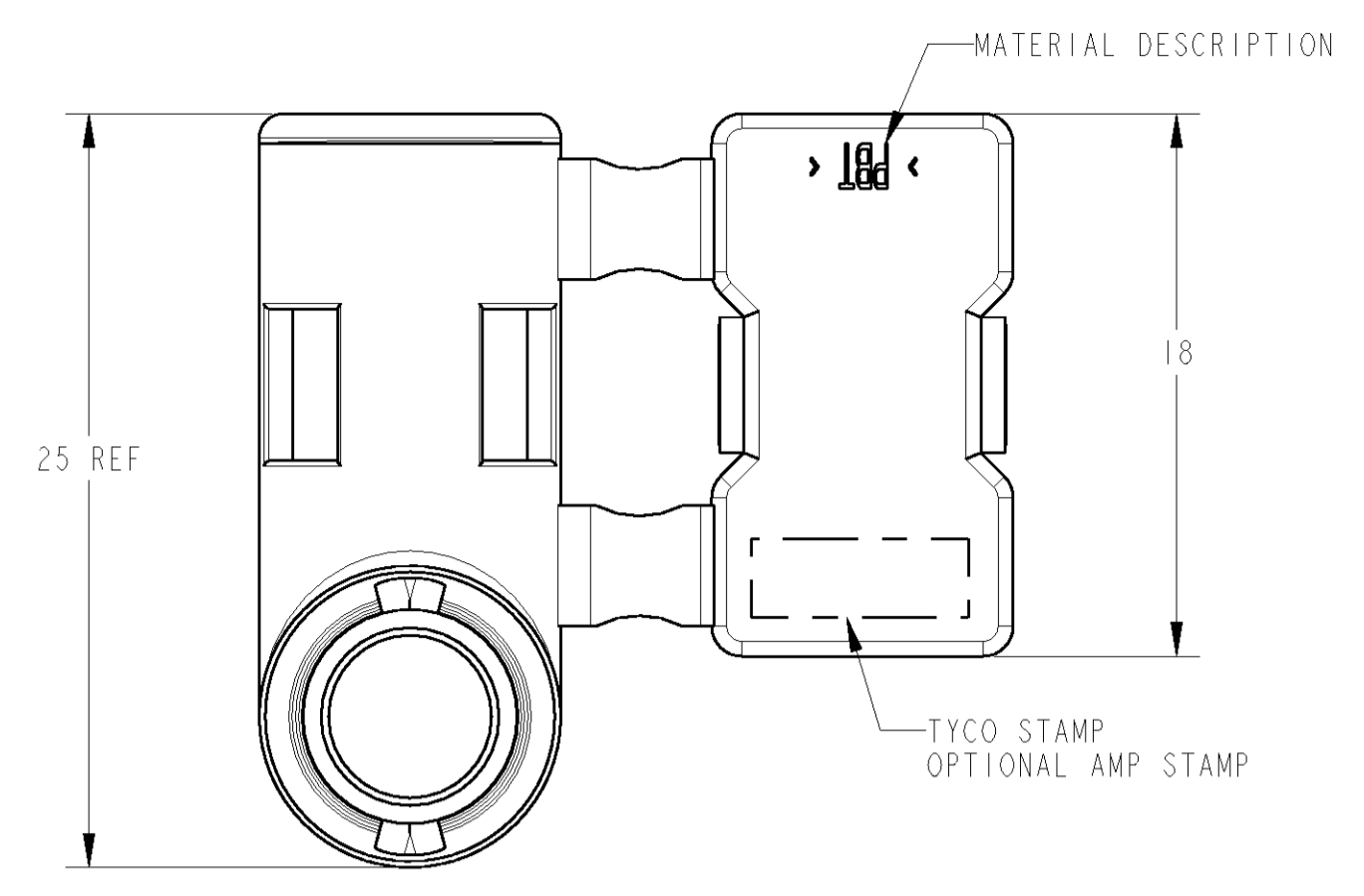
Tel: +86-755-8981 8866 Fax: +86-755-8427 6832

Email & Skype: info@chipsmall.com Web: www.chipsmall.com

Address: A1208, Overseas Decoration Building, #122 Zhenhua RD., Futian, Shenzhen, China

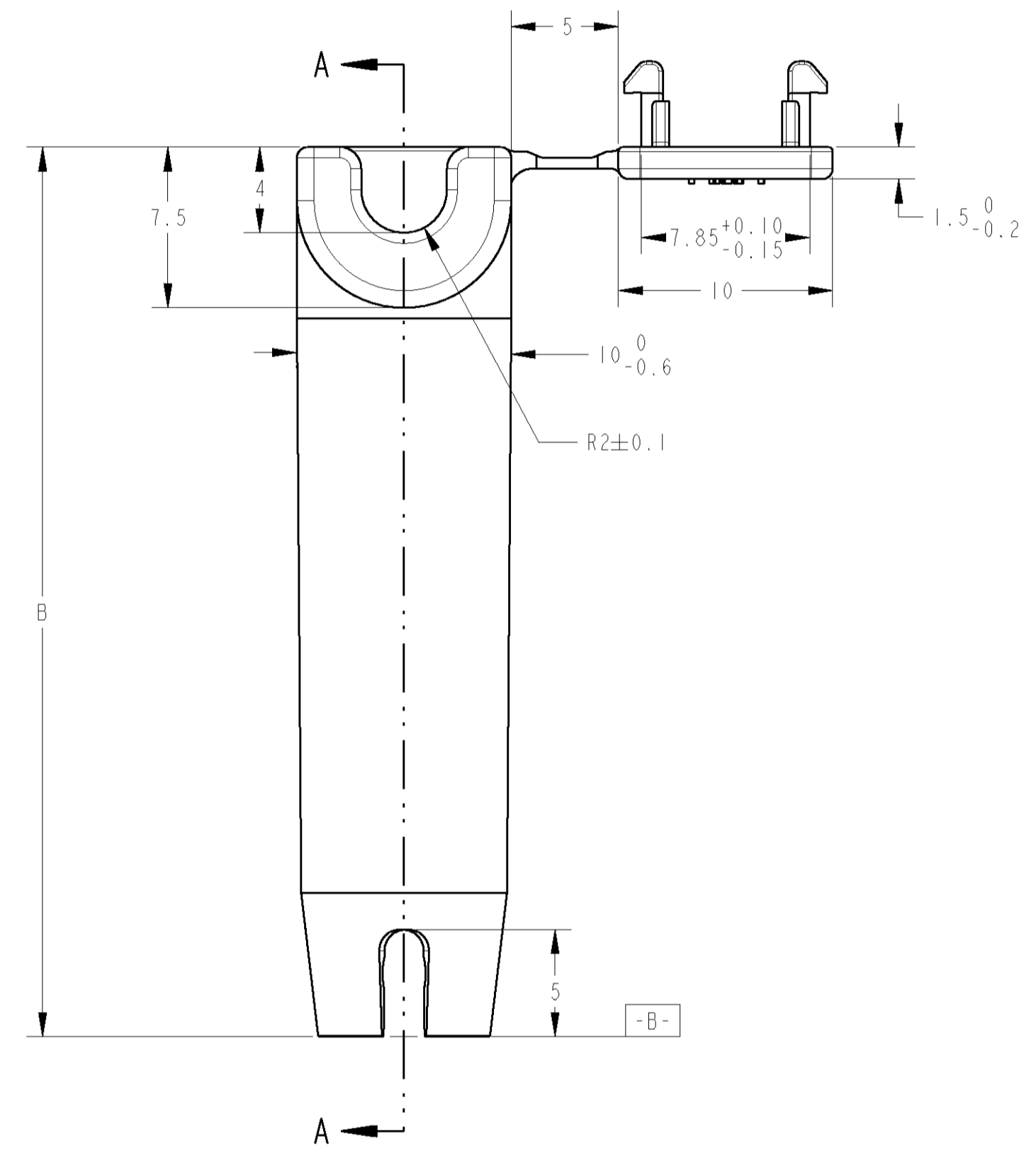
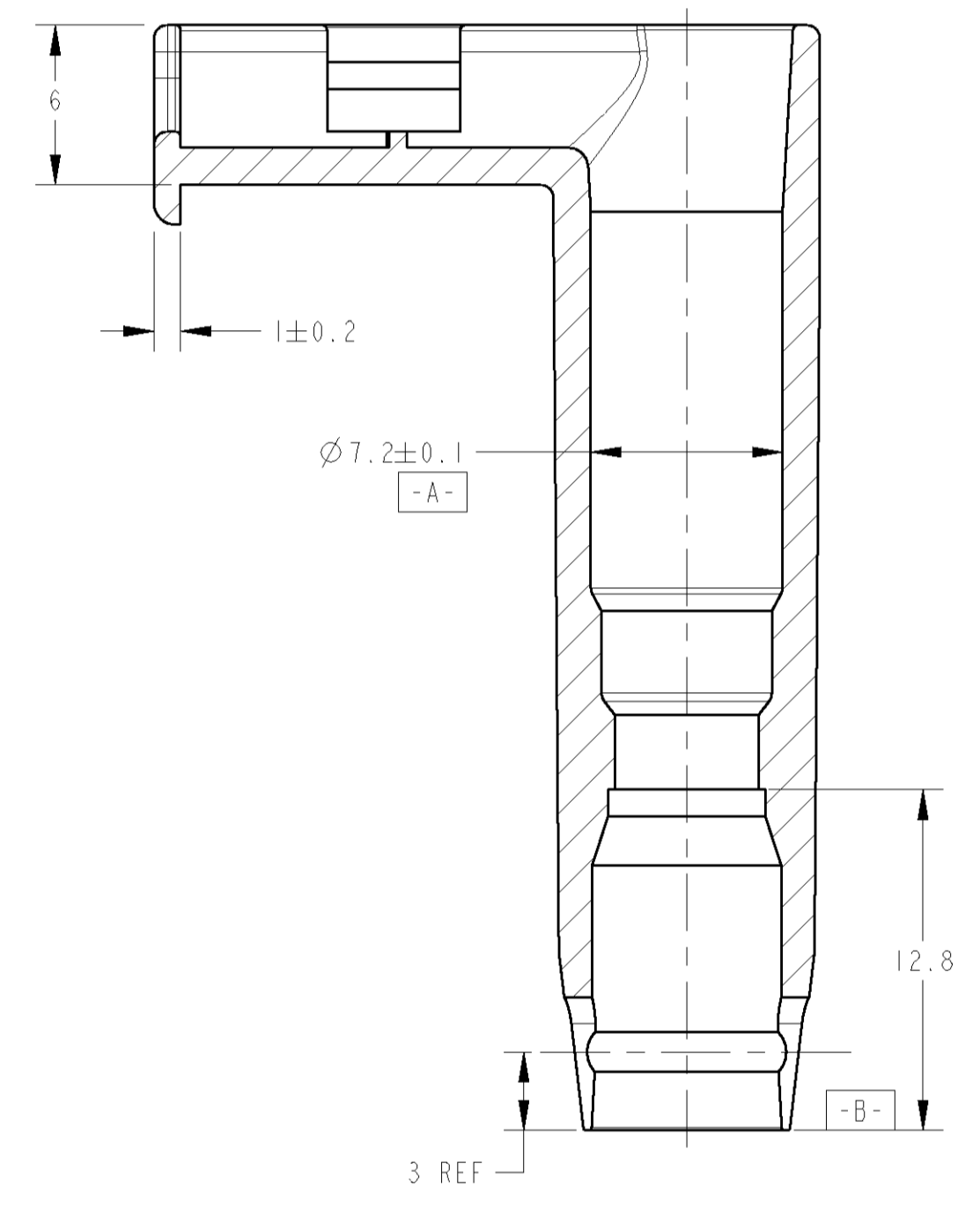


LOC	DIST	REVISIONS					
F	7	F	LTR	DESCRIPTION	DATE	DWN	APVD
		REV		MODIFICATIONS		DESS:	APP:
		A		CAVITY MOVING	30OCT2001	SR	JJR
		B		HINGE MODIFICATION	24JUN2005	AR	JPP
		C		DIMENSION MODIFICATION C4,NOTE TYCO STAMP	12SEP2005	RC	OD



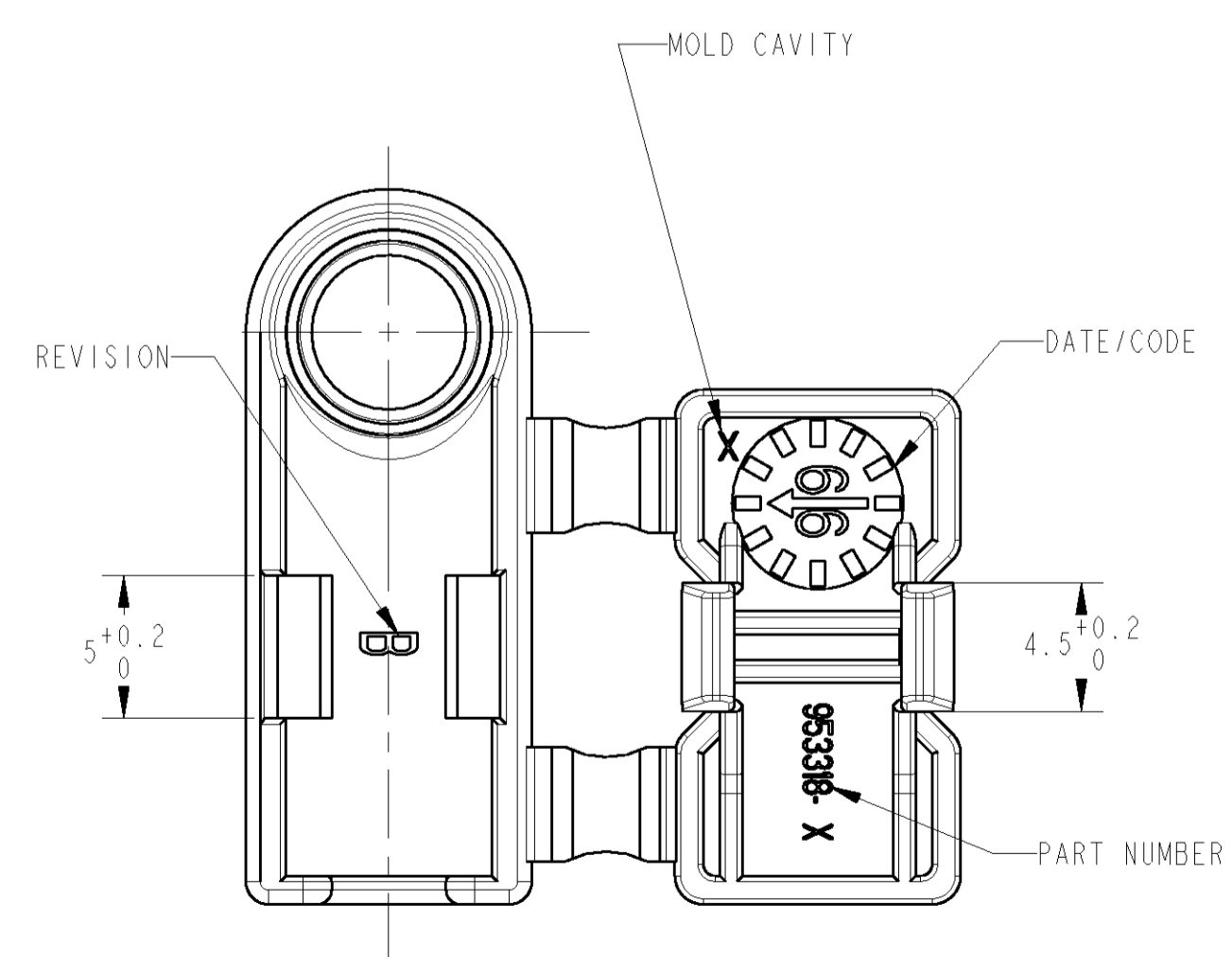
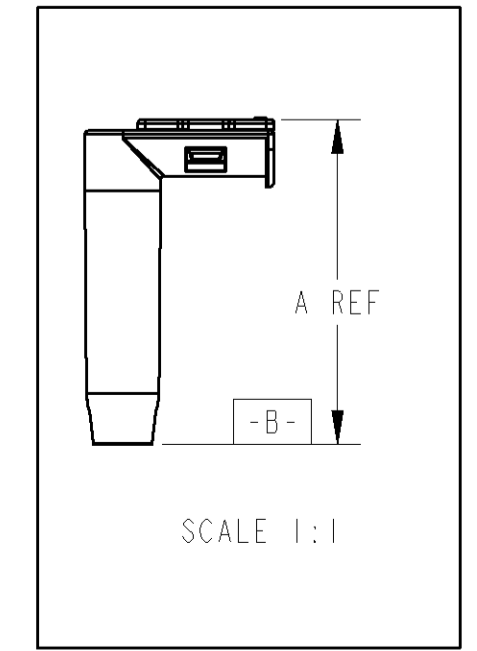
SACLE 3:1

COUPE A-A



EXTRACTION TOOL	
DESCRIPTION	PART NUMBER
EXTRACTION TOOL	965700-1
SPARE BLADE	965701-1

ASSOCIATED COMPONENTS							
PART NUMBER	DESCRIPTION						
963244-1	SEAL (for insulation Ø 2.2 - 3mm)						
963245-1	SEAL (for insulation Ø 3.1 - 3.7mm)						
962956-1	SOCKET CONTACT Ø 4mm						
953318-2	D	BLACK	PBT	HOUSING	0.003 Kg	61	59.5±0.15
953318-1	D	BLACK	PBT	HOUSING	0.0025 Kg	43	41.5±0.1
PART NUMBER	PART REVISION CODE	COLOUR	MATERIAL	DESCRIPTION	WEIGHT	DIM A	DIM B



<small>THIS DRAWING IS UNPUBLISHED. RELEASED FOR PUBLICATION. DIFFUSION RESTREINTE. AMI LIBRE A LA DISPOSITION. © COPYRIGHT 19 BY TYCO ELECTRONICS CORPORATION. ALL RIGHTS RESERVED. TOUTES DROITS RESERVEES.</small>		DWN/DESSINE: S. RONOT CHV/VERIFIE: J.P. PICAUD		OSFEB99 OSFEB99		AMP DE FRANCE 95301 PONTOISE	
DIMENSIONS: mm TOLERANCES: UNLESS OTHERWISE SPECIFIED: (TOLERANCES NON SPECIFIEES: EN DECIMALES): H: ±0.2 F: ±0.1 A: ±0.1		APVD/APPROUVE: J. BEVIL PRODUCT SPEC: 108-15194 SPEC: APPLICATION 411-15605		NAME: J.P. PICAUD OSFEB99		I WAY GLOW PLUG CONNECTOR	
MATERIAL MATIERE: PBT FINISH: SEE TABLE		WEIGHT: APPROX. SEE TABLE CUSTOMER DRAWING		SIZE: A1 CASE CODE: 00779 DRAWING NO.: 953318		RESTRICTED TO RESERVE A SHEET OF DE C	