



Chipsmall Limited consists of a professional team with an average of over 10 year of expertise in the distribution of electronic components. Based in Hongkong, we have already established firm and mutual-benefit business relationships with customers from,Europe,America and south Asia,supplying obsolete and hard-to-find components to meet their specific needs.

With the principle of “Quality Parts,Customers Priority,Honest Operation,and Considerate Service”,our business mainly focus on the distribution of electronic components. Line cards we deal with include Microchip,ALPS,ROHM,Xilinx,Pulse,ON,Everlight and Freescale. Main products comprise IC,Modules,Potentiometer,IC Socket,Relay,Connector.Our parts cover such applications as commercial,industrial, and automotives areas.

We are looking forward to setting up business relationship with you and hope to provide you with the best service and solution. Let us make a better world for our industry!



## Contact us

Tel: +86-755-8981 8866 Fax: +86-755-8427 6832

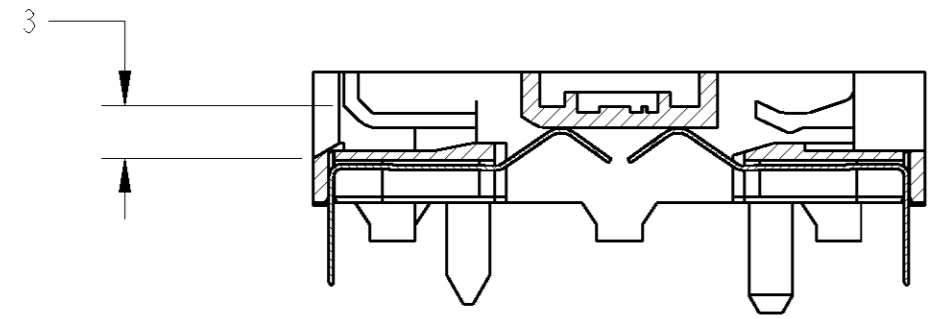
Email & Skype: info@chipsmall.com Web: www.chipsmall.com

Address: A1208, Overseas Decoration Building, #122 Zhenhua RD., Futian, Shenzhen, China

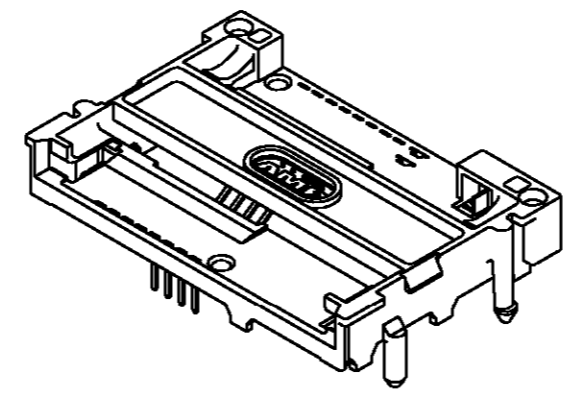


THIS DRAWING IS UNPUBLISHED. RELEASED FOR PUBLICATION .19  
 DIFFUSION RESTREINTE. LIBRE A LA DIFFUSION  
 © COPYRIGHT 19 BY AMP INCORPORATED. ALL RIGHTS RESERVED. TOUS DROITS RESERVES.

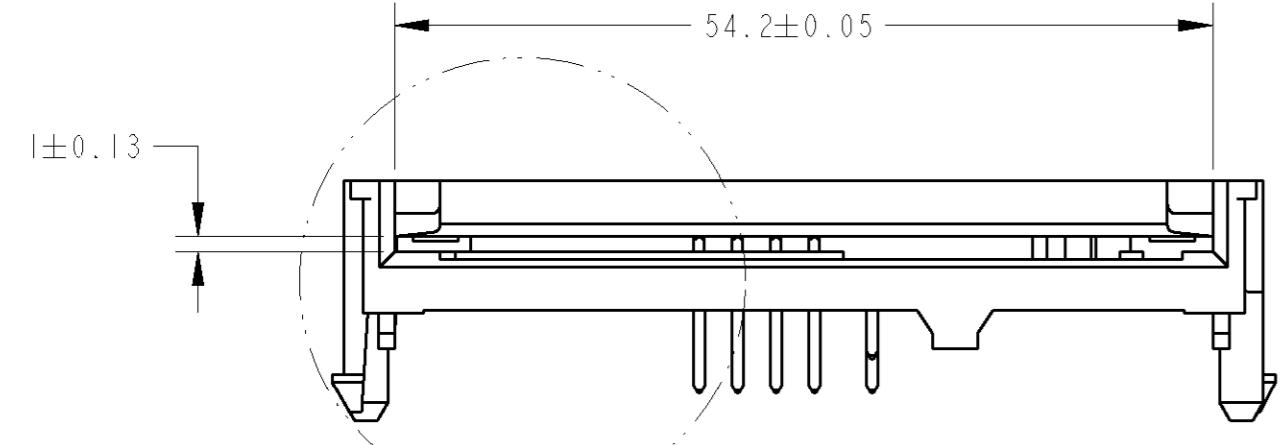
REVISIONS					
P	LTR	DESCRIPTION MODIFICATIONS	DATE	DWN DESS.	APVD APP.
E		MODIFIED PER EC ER00-7954	02AUG99	BD	YP
F		UPDATED	04NOV99	JJD	-
G		ADDED DIM. 48.2	16DEC99	JJD	-
H		CLARIFY, ADD NOTE 4 AND 5	14MAR2000	FB	YP



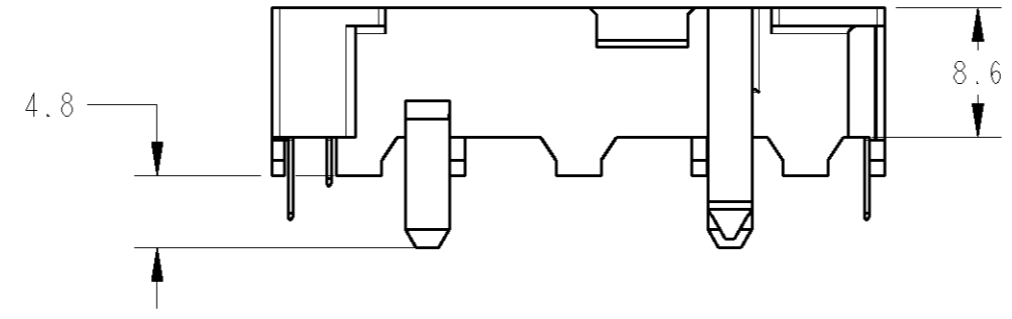
SECTION A-A



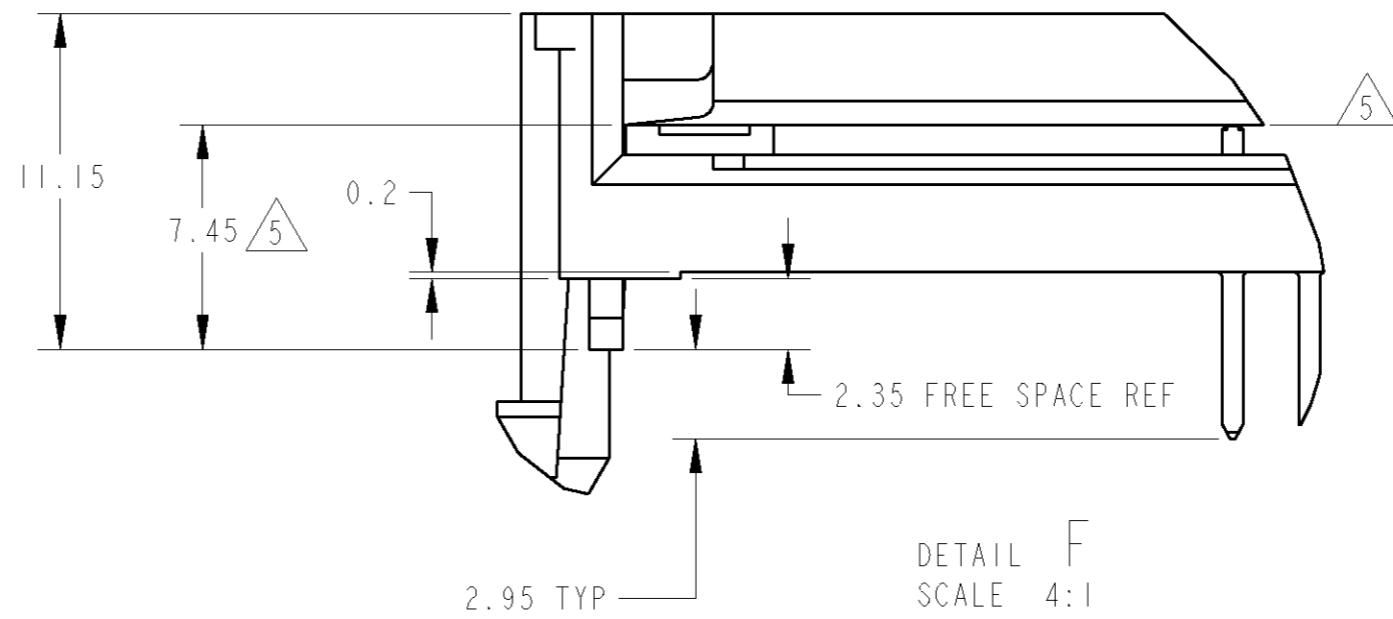
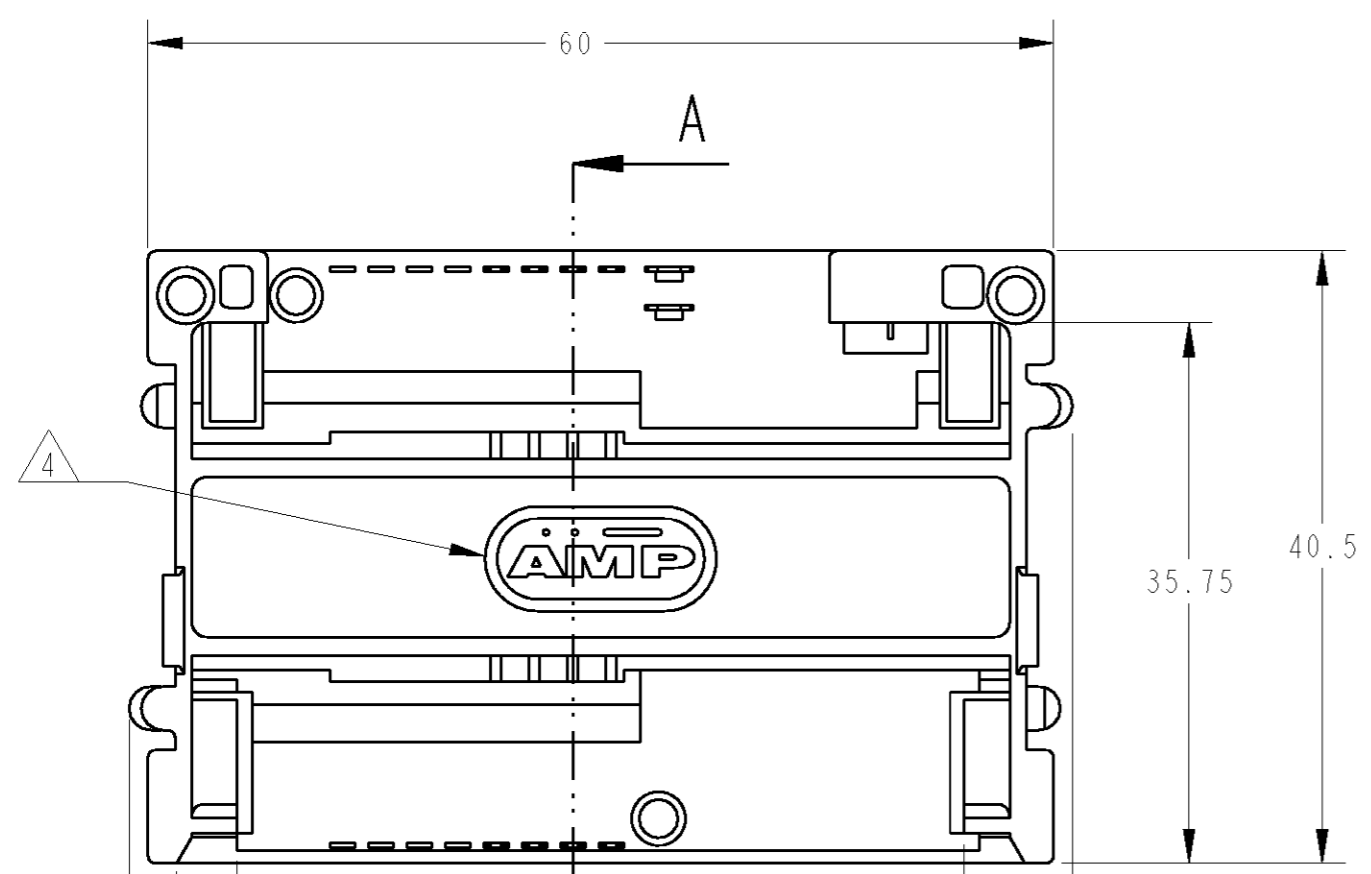
SCALE 1:1



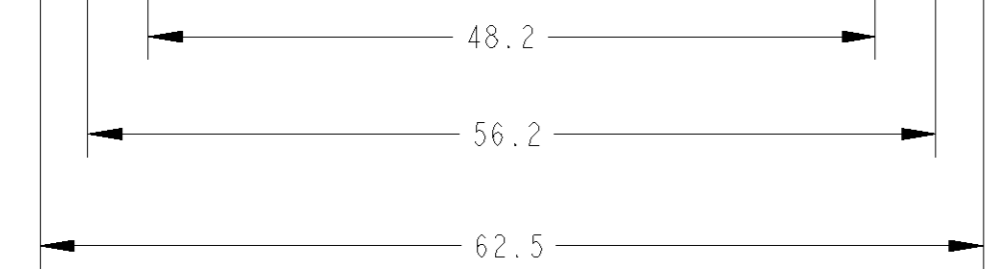
SEE DETAIL F



- △ 1 SMART CARD READER : PBT G-F, BLACK UL 94V0  
 SIGNAL AND SWITCH CONTACTS : PHOSPHOR BRONZE.
- △ 2 ALL CONTACTS : 0.00076 GOLD ON MATING AREAS,  
 0.0025 TIN-LEAD ON SOLDER TAILS,  
 ALL OVER 0.001 NICKEL.
- △ 3 AMP SMART CARD RECEPTACLE DESIGNED TO ACCEPT  
 ISO 7810-7816 TYPE INTEGRATED CIRCUIT SMART  
 CARDS (0.76mm REF. THICKNESS)  
 SEE SHEET 2/2
- △ 4 LOGO SHAPE AND POSITION VARY DEPENDING ON  
 MOLD CAVITY NUMBER.
- △ 5 DIMENSION APPLICABLE IN CARD CONTACT AREA ONLY.  
 SURFACE VARY DEPENDING ON MOLD CAVITY NUMBER.



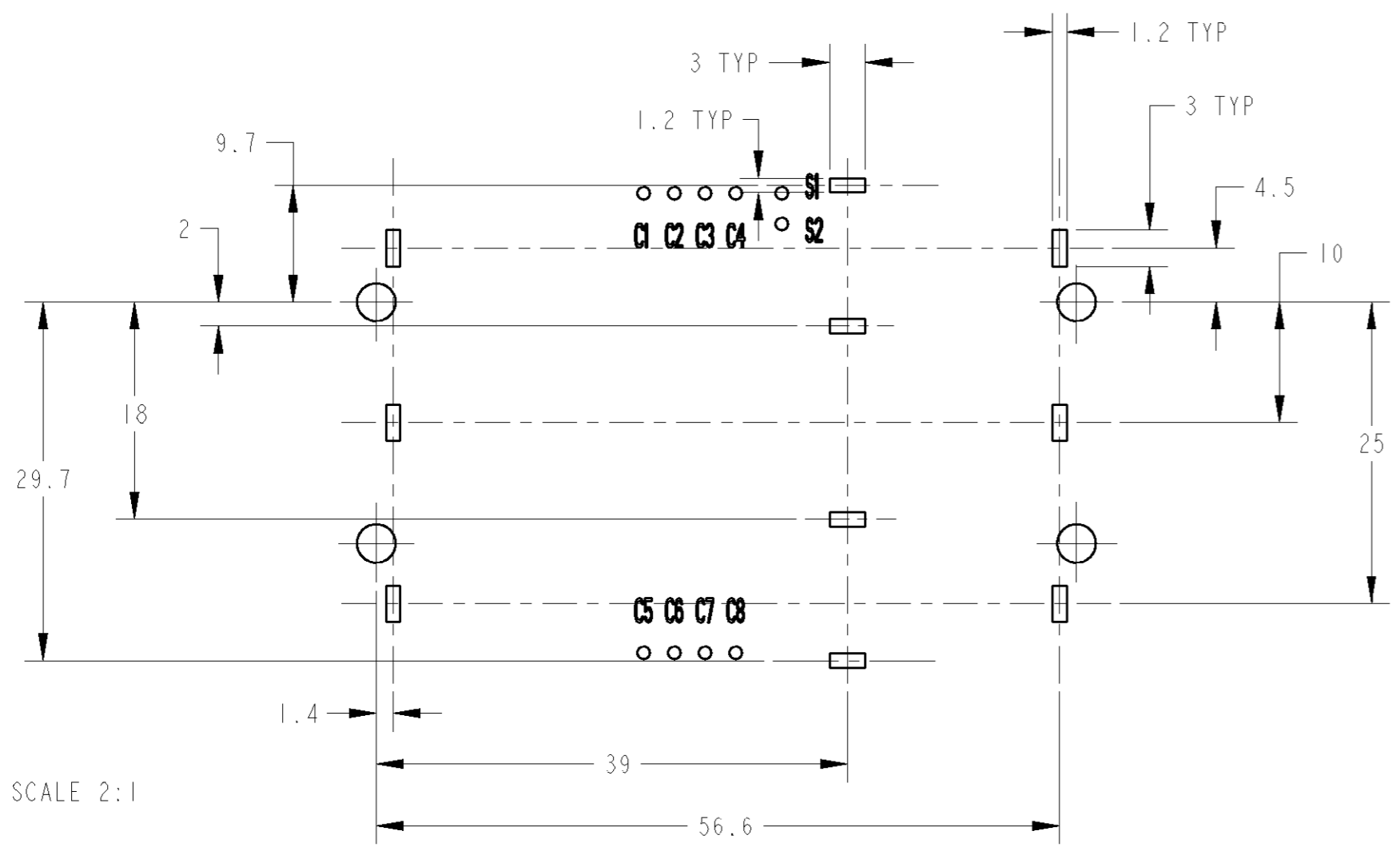
DETAIL F  
 SCALE 4:1



P/N : 953438-1 8 POSITIONS  
 ISO 7816

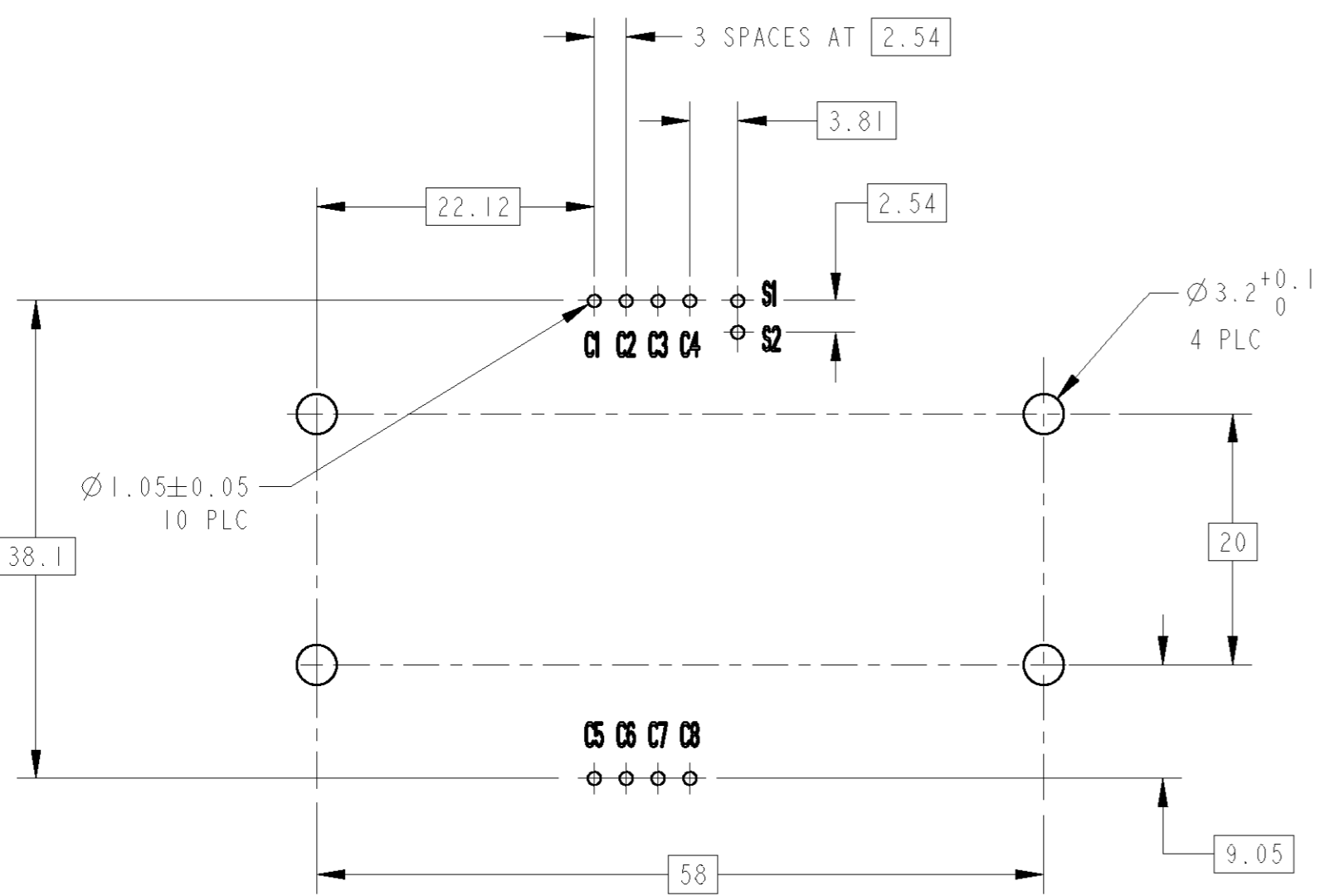
THIS DRAWING IS A CONTROLLED DOCUMENT FOR AMP INCORPORATED. IT IS SUBJECT TO CHANGE AND THE CONTROLLING ENGINEERING ORGANIZATION SHOULD BE CONTACTED FOR THE LATEST REVISION. CE PLAN EST UN DOCUMENT CONTRÔLÉ PAR AMP INCORPORATED. IL EST SUSCEPTIBLE D'ÊTRE REVISÉ. CONTACTER LE SERVICE TECHNIQUE D'AMP DE FRANCE POUR OBTENIR LA DERNIÈRE RÉVISION.		DWN /DESSINE 05MAR98 P. LINDBERG CHK /VERIFIE 05MAR98 Y. PETRONIN APVD /APPROUVE - Y. PETRONIN PRODUCT SPEC SPEC. PRODUIT 108-15202 APPLICATION SPEC SPEC. APPLICATION - WEIGHT MASSE APPROX. 9 g	NAME TITRE SMART CARD READER 0.76mm, PCB MOUNT THROUGH HOLE, RAISED PROFILE BLADE SWITCH NORMALLY CLOSED.
DIMENSIONS: mm 	TOLERANCES UNLESS OTHERWISE SPECIFIED: TOLERANCES NON SPECIFIEES (SUIV. NB DE DECIMALES) 0 PLC /DEC: ±0.3 1 PLC /DEC: ±0.3 2 PLC /DEC: ±0.03 3 PLC /DEC: ±0.001 4 PLC /DEC: ±0.0001 ANGLES FINISH FINITION	SIZE FORMAT A2 CAGE CODE 00779 DRAWING NO No PLAN C-953438	RESTRICTED TO RESERVE A - H
MATERIAL MATIERE △ 1		CUSTOMER DRAWING /PLAN CLIENT UNIQUEMENT POUR REFERENCE SCALE ECHELLE 1:1 SHEET FEUILLE 1 OF DE 2 REV H	

THIS DRAWING IS UNPUBLISHED.  
 DIFFUSION RESTREINTE  
 © COPYRIGHT 19 BY AMP INCORPORATED. ALL RIGHTS RESERVED.  
 LIBRE A LA DIFFUSION  
 TOUS DROITS RESERVES



SCALE 2:1

STANDOFF AREA  
 SPACE WITHOUT COMPONENTS  
 (CONNECTOR SIDE)

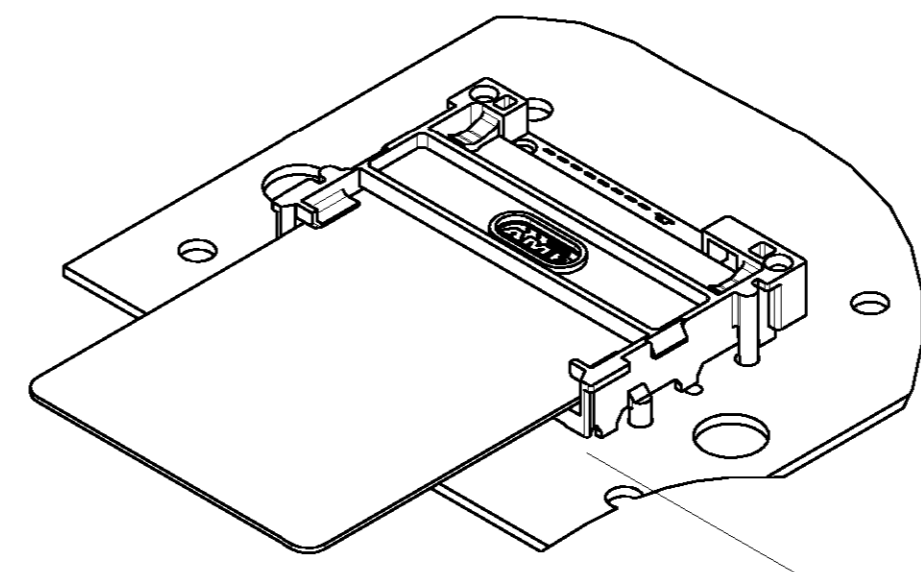


POSITION TOLERANCE FOR ALL HOLES  $\pm \phi 0.1$

PC BOARD THICKNESS  $1.57 \pm 0.1$  (.062)  
 (CONNECTOR SIDE)

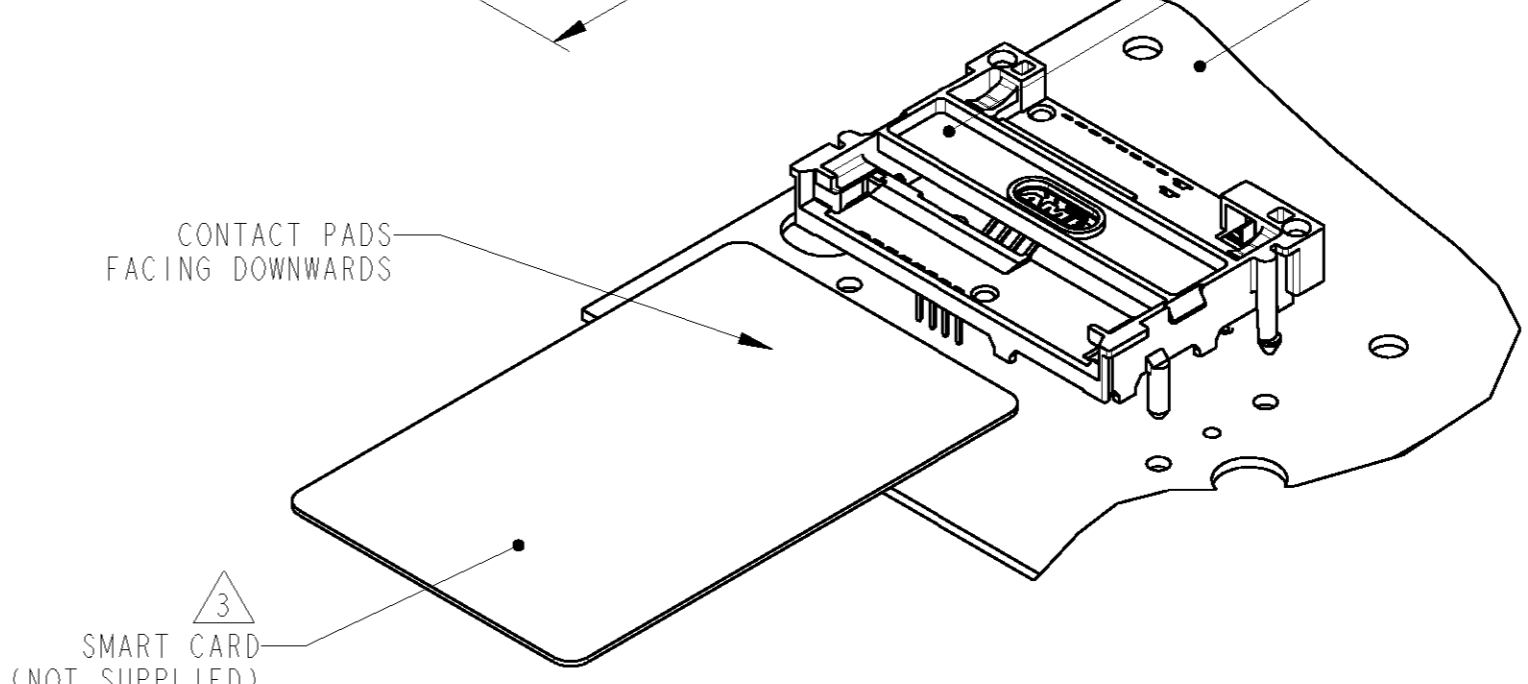
RECOMMENDED PCB LAYOUT

LOC	DIST	REVISIONS					
F	7	P	LTR	DESCRIPTION MODIFICATIONS	DATE	DWN DESS.	APVD APP.
		-		SEE SHEET 1			



SCALE 1:1

49.85±0.5



SCALE 1:1

PCB MOUNTING CONFIGURATION

THIS DRAWING IS A CONTROLLED DOCUMENT FOR AMP INCORPORATED. IT IS SUBJECT TO CHANGE AND THE CONTROLLING ENGINEERING ORGANIZATION SHOULD BE CONTACTED FOR THE LATEST REVISION. CE PLAN EST UN DOCUMENT CONTRÔLÉ PAR AMP INCORPORATED. IL EST SUSCEPTIBLE D'ÊTRE REVISÉ, CONTACTER LE SERVICE TECHNIQUE D'AMP DE FRANCE POUR OBTENIR LA DERNIÈRE REVISION.		DWN / DESSINE P. LINDBERG 05MAR98 CHK / VERIFIE Y. PETRONIN 05MAR98 APVD / APROUVE Y. PETRONIN PRODUCT SPEC - SPEC. APPLICATION - APPLICATION SPEC - SPEC. APPLICATION - WEIGHT - MASSE APPROX. -	AMP DE FRANCE 95301 PONTOISE <b>AMP</b> NAME TITRE SMART CARD READER 0.76mm, PCB MOUNT THROUGH HOLE, RAISED PROFILE BLADE SWITCH NORMALLY CLOSED.
DIMENSIONS: mm 	TOLERANCES UNLESS OTHERWISE SPECIFIED: TOLERANCES NON SPECIFIEES (SUIV. NB DE DECIMALES) 0 PLC / DEC: ±0.5 1 PLC / DEC: ±0.3 2 PLC / DEC: ±0.03 3 PLC / DEC: ±0.001 4 PLC / DEC: ±0.0001 ANGLES ±	SIZE FORMAT A2 CAGE CODE 00779 DRAWING NO No PLAN C=953438	RESTRICTED TO RESERVE A CUSTOMER DRAWING / PLAN CLIENT UNIFORMENT POUR REFERENCE SCALE ECHELLE 1:1 SHEET FEUILLE 2 OF DE 2 REV H