



Chipsmall Limited consists of a professional team with an average of over 10 year of expertise in the distribution of electronic components. Based in Hongkong, we have already established firm and mutual-benefit business relationships with customers from,Europe,America and south Asia,supplying obsolete and hard-to-find components to meet their specific needs.

With the principle of “Quality Parts,Customers Priority,Honest Operation,and Considerate Service”,our business mainly focus on the distribution of electronic components. Line cards we deal with include Microchip,ALPS,ROHM,Xilinx,Pulse,ON,Everlight and Freescale. Main products comprise IC,Modules,Potentiometer,IC Socket,Relay,Connector.Our parts cover such applications as commercial,industrial, and automotives areas.

We are looking forward to setting up business relationship with you and hope to provide you with the best service and solution. Let us make a better world for our industry!



Contact us

Tel: +86-755-8981 8866 Fax: +86-755-8427 6832

Email & Skype: info@chipsmall.com Web: www.chipsmall.com

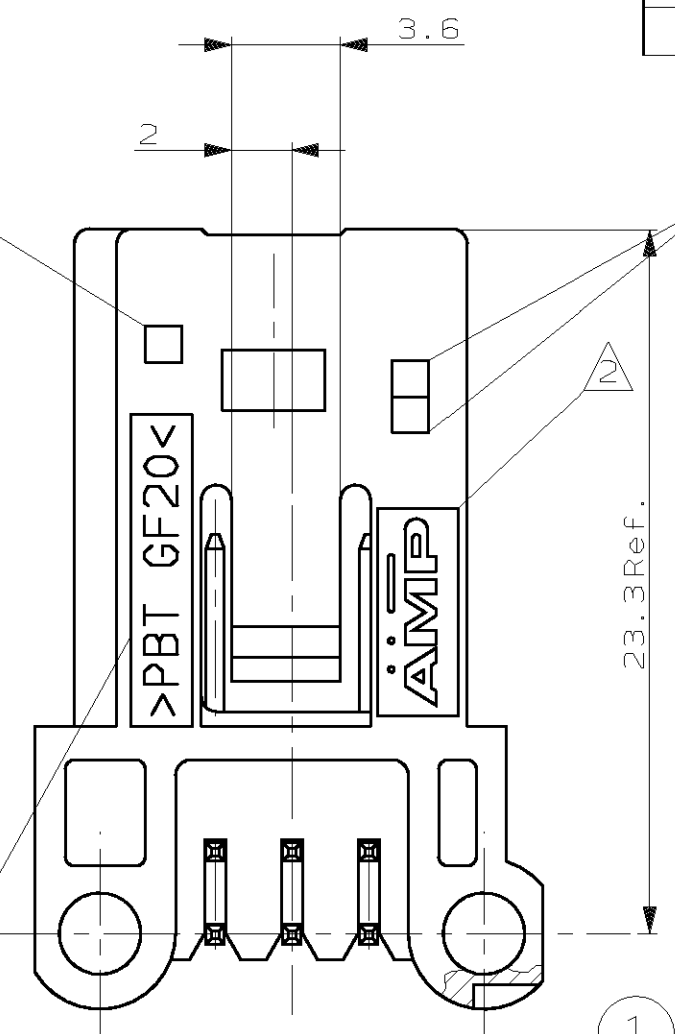
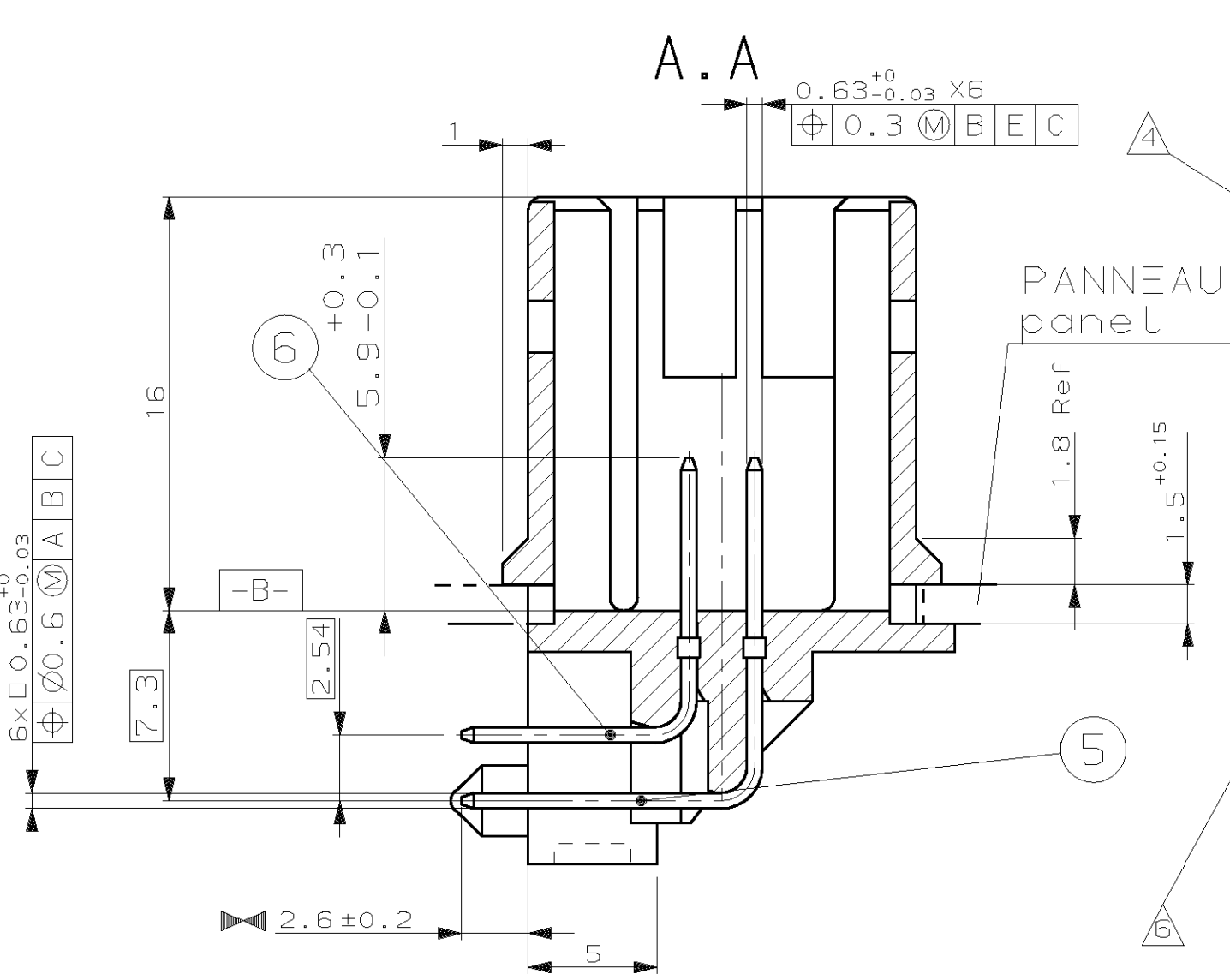
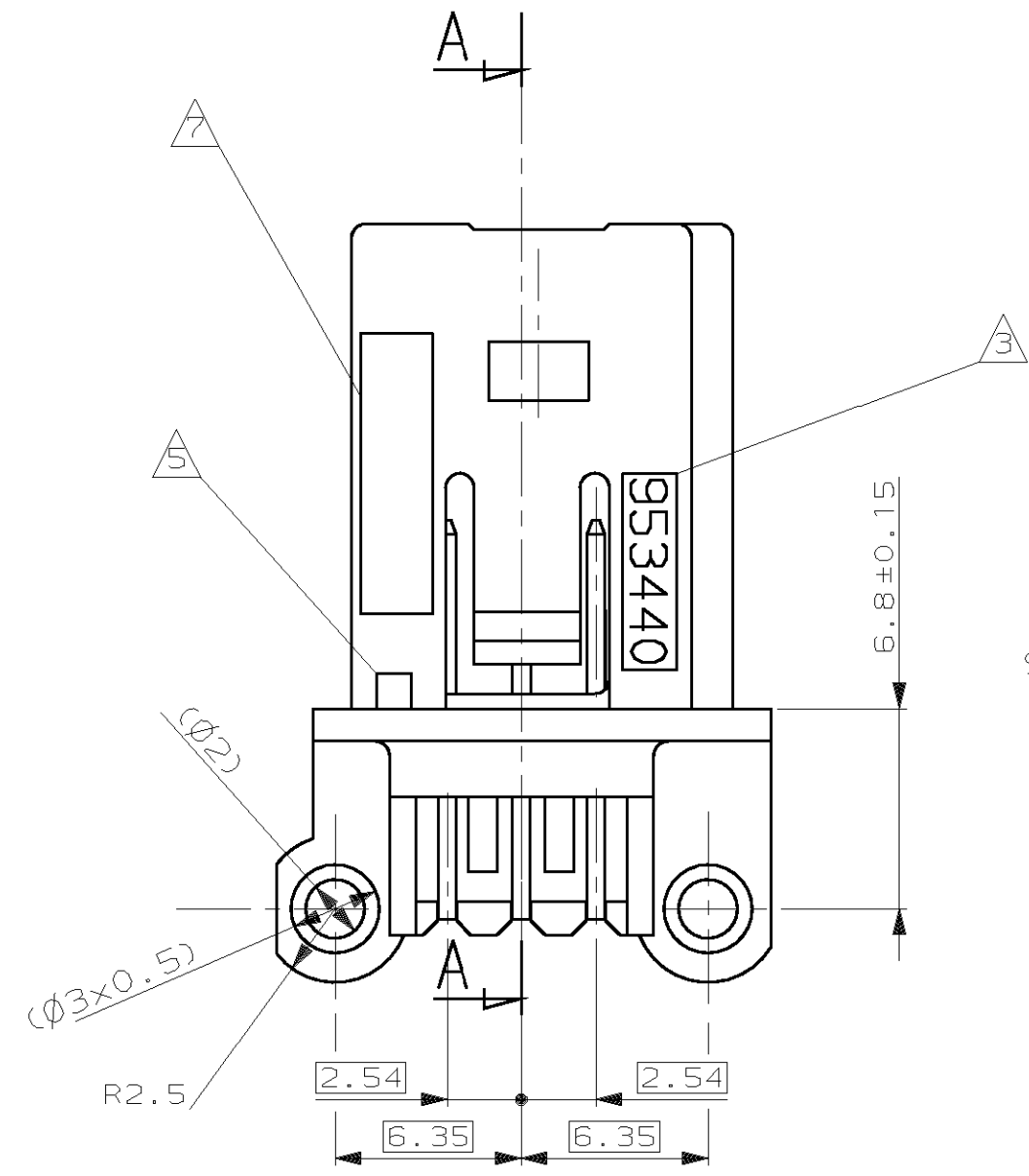
Address: A1208, Overseas Decoration Building, #122 Zhenhua RD., Futian, Shenzhen, China



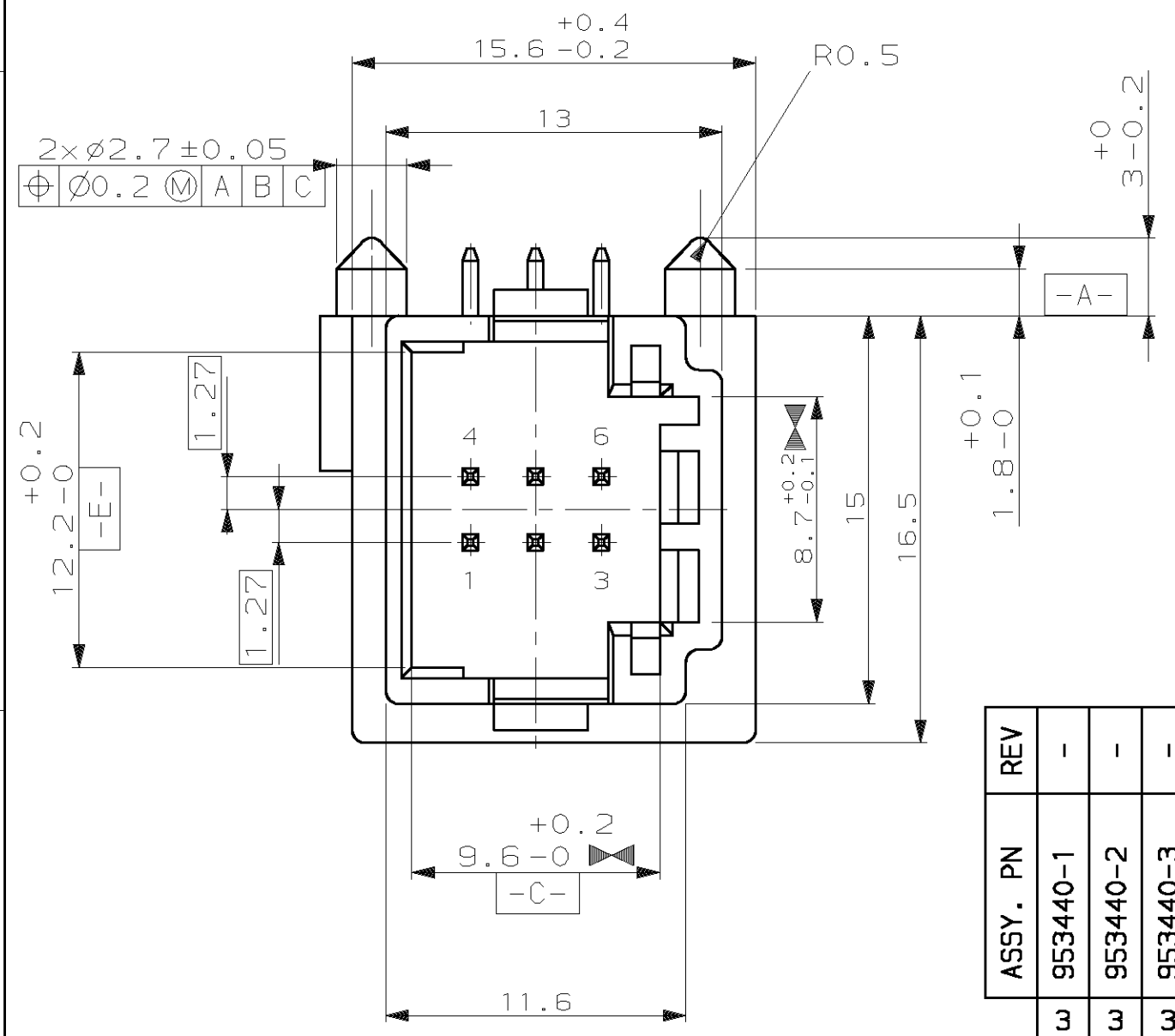
THIS DRAWING IS UNPUBLISHED.
 DIFFUSION RESTREINTE AMP
 (C) COPYRIGHT 19

RELEASED FOR PUBLICATION
 DIFFUSION PUBLIQUE
 ALL RIGHTS RESERVED.
 TOUS DROITS RESERVES.

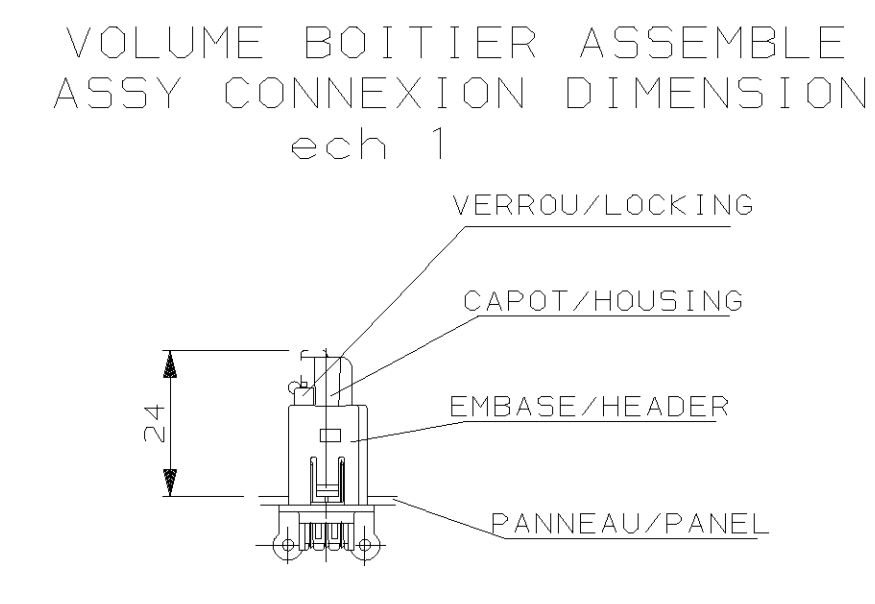
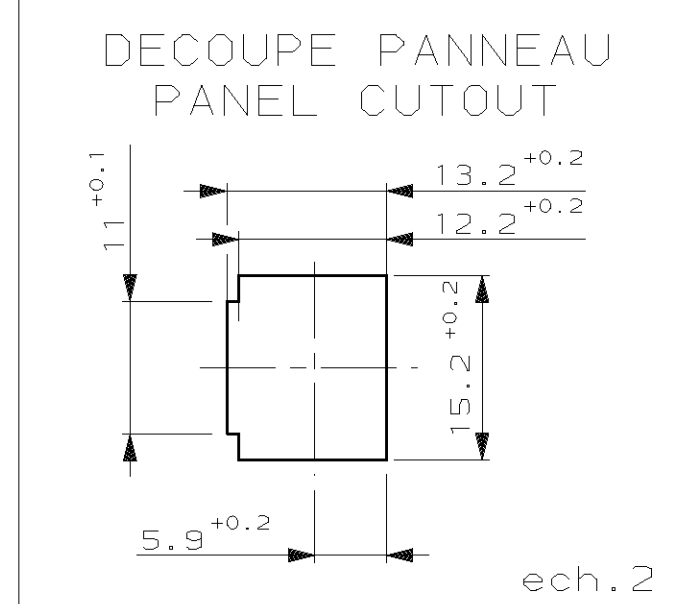
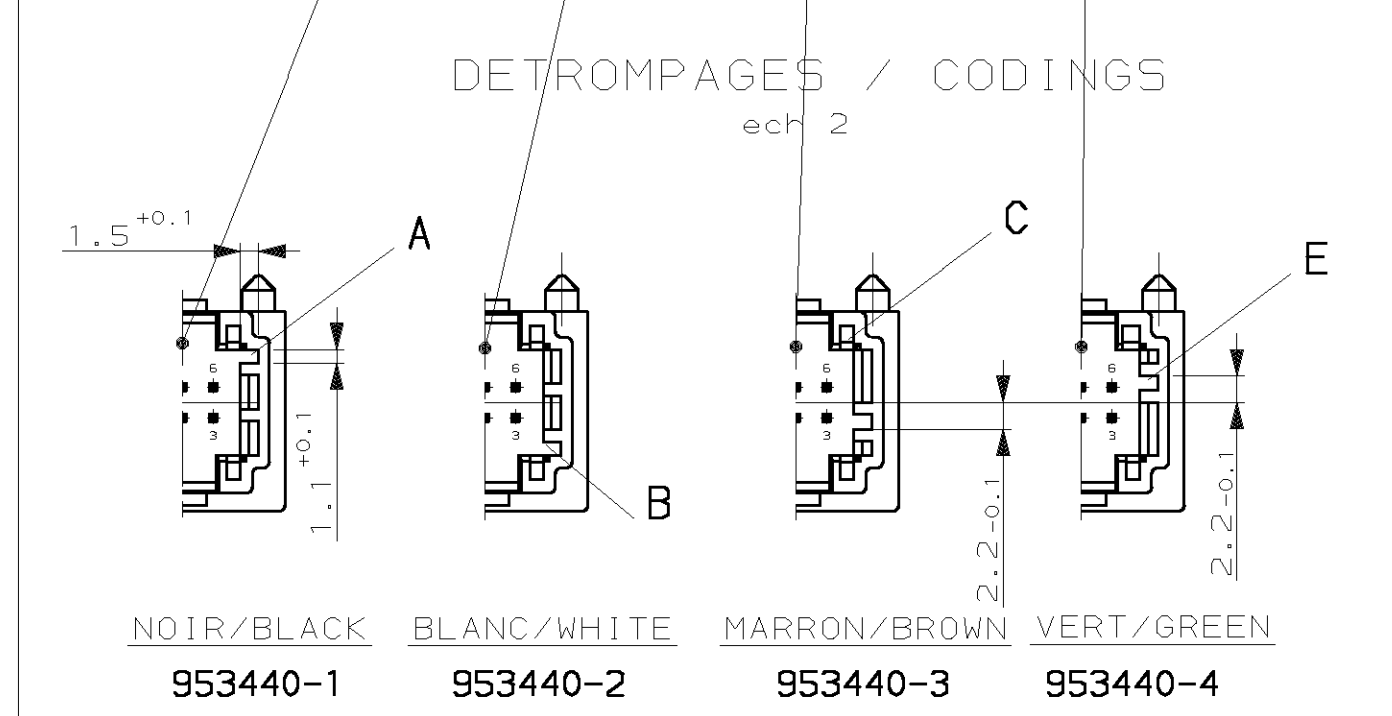
REVISIONS				
P	LTR REV	DESCRIPTION MODIFICATIONS	DATE	DWN DESS. / APVD APP.
0		REPLACE REF. 185681	27-MAI-98	JLQ -
A		TOLERANCE COTE 15.6	07-APR-00	JLQ -



- Marquage:
- 1 Date de fabrication
 - 2 Logo AMP
 - 3 Reference du produit assemble
 - 4 Indice de revision du moule
 - 5 N° d'empreinte de moule
 - 6 Matiere: (voir tableau)
 - 7 Date d'assemblage
 - 8 Cote capabilite



- Marking:
- 1 Date code
 - 2 AMP Logo
 - 3 Assy part number
 - 4 Revision status
 - 5 Cavity marking
 - 6 Material reference
 - 7 Assy date
 - 8 Dimension for capability



ASSY. PN	REV	MAT	DESIGNATION / NAME	COULEUR / COLOR	REP.
953440-1	-	CuSn6	MQS SHORT CONTACT	POST ETAME / POST TIN	6
953440-2	-	CuSn6	MQS LONG CONTACT	POST ETAME / POST TIN	5
953440-3	-	PBT GF20	BOITIER / HOUSING	VERT / GREEN	4
953440-4	-	PBT GF20	BOITIER / HOUSING	MARRON / BROWN	3
		PBT GF20	BOITIER / HOUSING	BLANC / WHITE	2
		PBT GF20	BOITIER / HOUSING	NOIR / BLACK	1

THIS DRAWING IS A CONTROLLED DOCUMENT FOR AMP INCORPORATED. IT IS SUBJECT TO CHANGE AND THE CONTROLLING ENGINEERING ORGANIZATION SHOULD BE CONTACTED FOR THE LATEST REVISION. CE PLAN EST UN DOCUMENT CONTROLÉ PAR AMP INCORPORATED. IL EST SUSCEPTIBLE D'ÊTRE RÉVISÉ. CONTACTER LE SERVICE TECHNIQUE D'AMP SE FRANCE POUR OBTENIR LA DERNIÈRE RÉVISION.		DWN/DESIGNE J. LAQUERBE 27-MAI-98 CHK/VERIFIE J. LAQUERBE 18-APR-00 APVD/APPROUVE J.J. REVIL 18-APR-00	NAME / TITRE AMP AMP DE FRANCE 95301 PONTOISE
DIMENSIONS: mm TOLERANCES UNLESS OTHERWISE SPECIFIED, TOLERANCES NON SPECIFIEES (SUIV NB DE DECIMALES): DIMENSIONS: ±0.3 ANGLES ±5°	MATERIAL / MATIERE -	PRODUCT SPEC SPEC. PRODUIT 108-15150 APPLICATION SPEC SPEC. APPLICATION -	SIZE / FORMAT A2 CAGE CODE / CODE CAGE 00779 DRAWING NO / TITRE 953440
WEIGHT / MASSE APPROX. 2.5gr		SCALE / ECHELLE 4:1	SHEET / FEUILLE 1 DE 1
CUSTOMER DRAWING/PLAN CLIENT		UNIFORMEMENT / POUR REFERENCE	REV A