



Chipsmall Limited consists of a professional team with an average of over 10 year of expertise in the distribution of electronic components. Based in Hongkong, we have already established firm and mutual-benefit business relationships with customers from,Europe,America and south Asia,supplying obsolete and hard-to-find components to meet their specific needs.

With the principle of "Quality Parts,Customers Priority,Honest Operation,and Considerate Service",our business mainly focus on the distribution of electronic components. Line cards we deal with include Microchip,ALPS,ROHM,Xilinx,Pulse,ON,Everlight and Freescale. Main products comprise IC,Modules,Potentiometer,IC Socket,Relay,Connector.Our parts cover such applications as commercial,industrial, and automotives areas.

We are looking forward to setting up business relationship with you and hope to provide you with the best service and solution. Let us make a better world for our industry!



Contact us

Tel: +86-755-8981 8866 Fax: +86-755-8427 6832

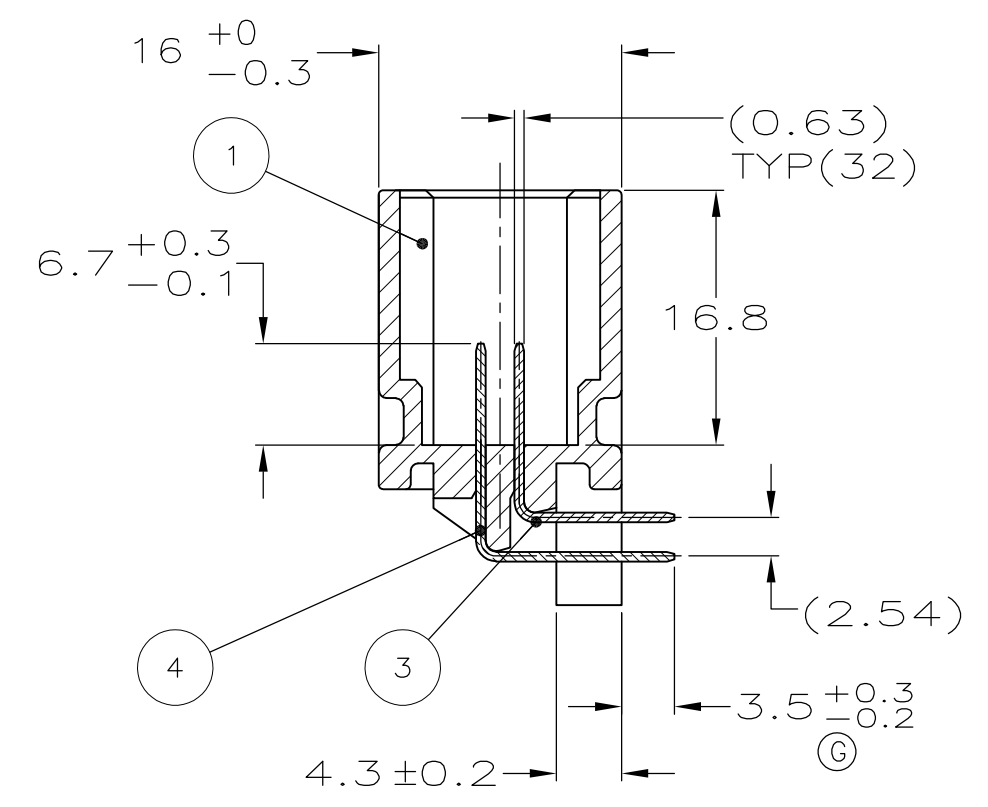
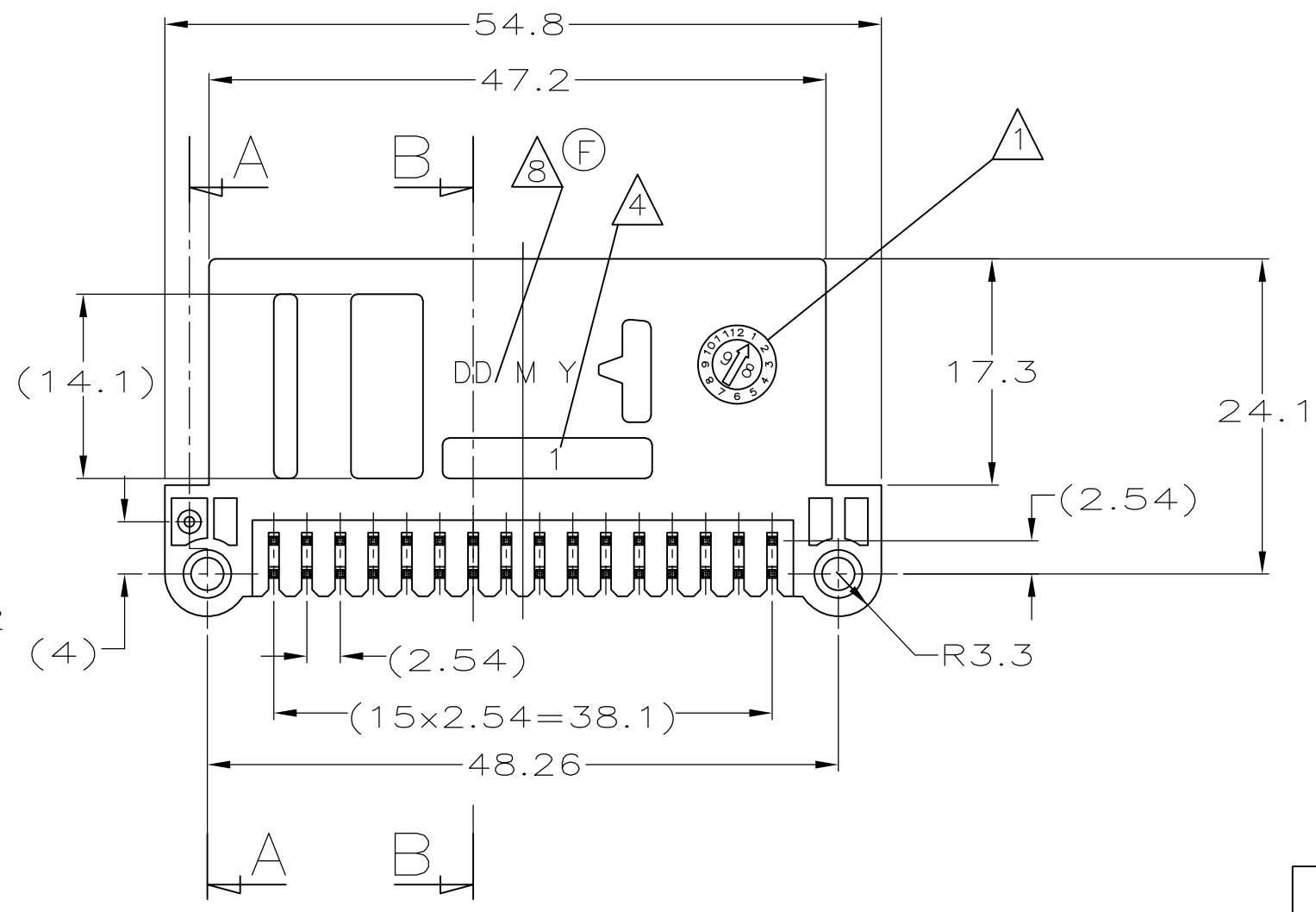
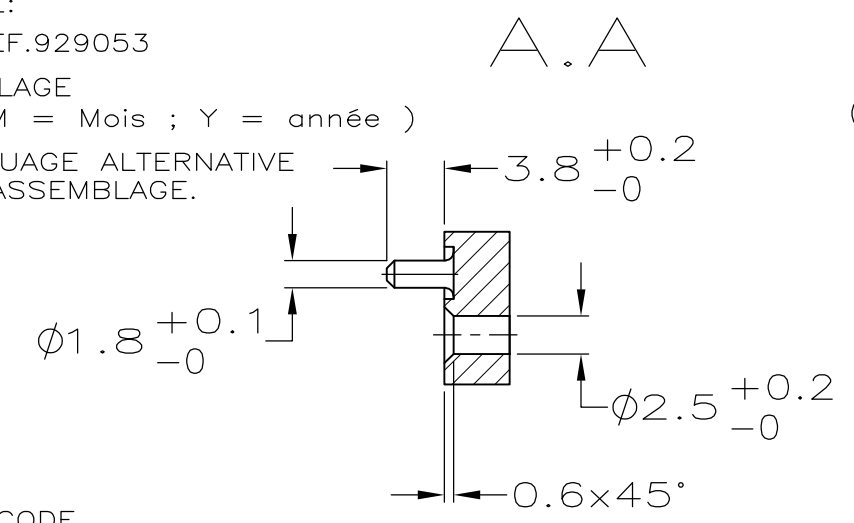
Email & Skype: info@chipsmall.com Web: www.chipsmall.com

Address: A1208, Overseas Decoration Building, #122 Zhenhua RD., Futian, Shenzhen, China

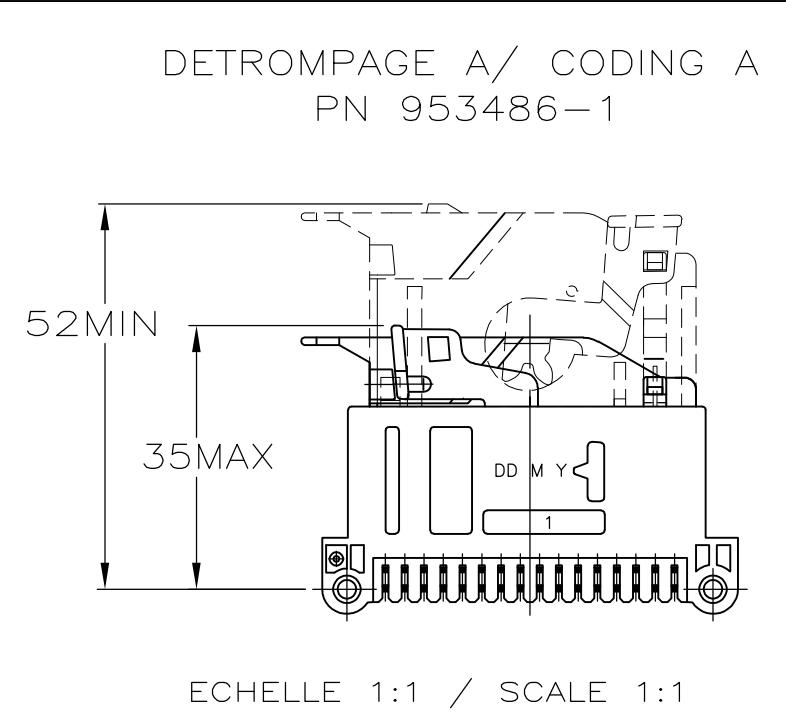
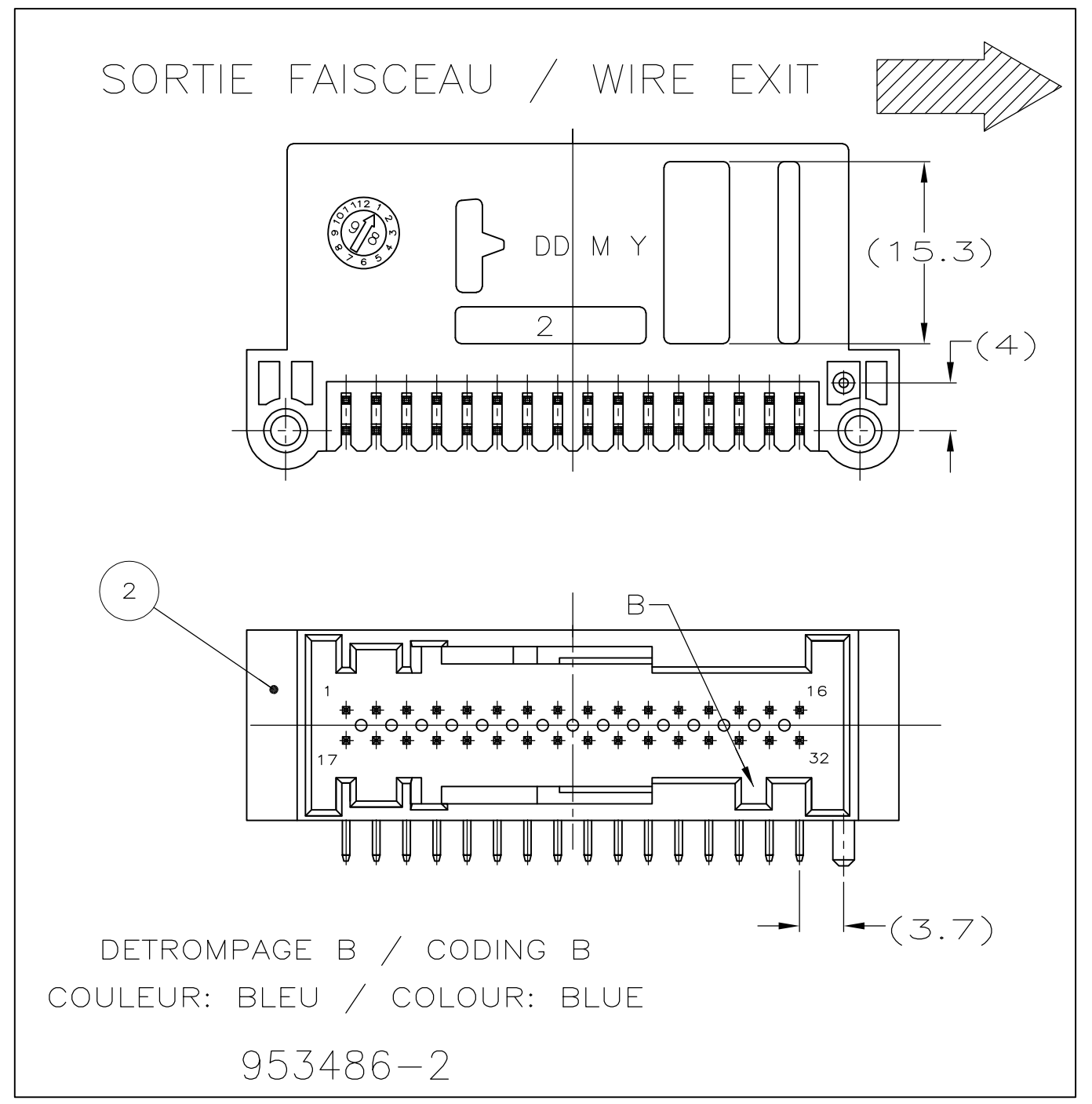
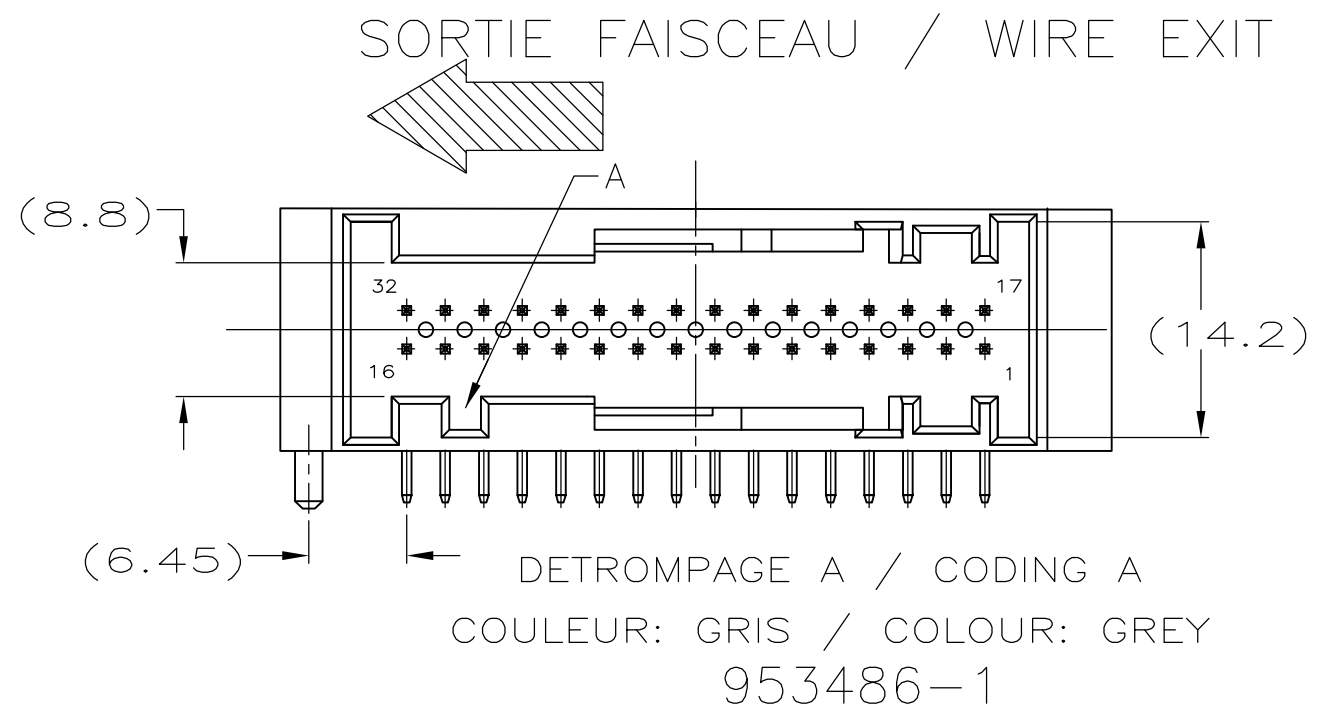
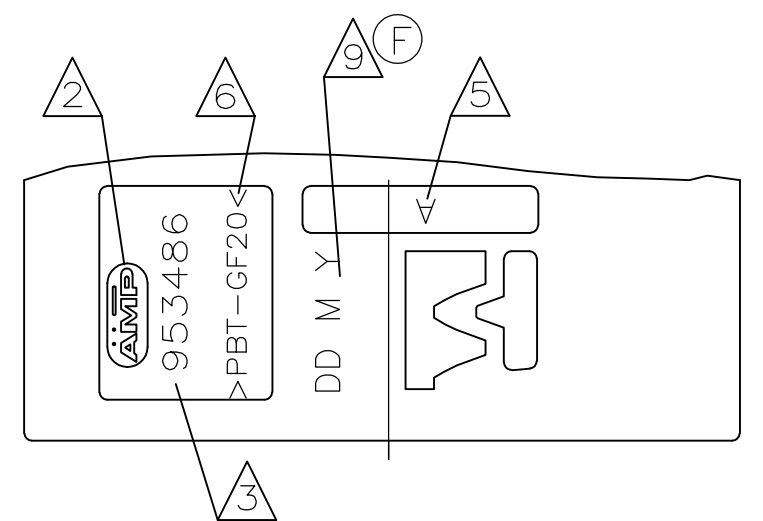


LOC	DIST	REVISIONS			
P	LTR REV	DESCRIPTION MODIFICATIONS	DATE	DWN DESS.	APVD APP.
F	7				
E		UP DATE THE DRAWING	17-JUN-04	NT.N	J.L
F		POSITION CHANGE FOR THE ASSY DATE CODE	05-AUG-09	NT.N	J.L
G		3.5 +0.3/-0.2 WAS 3.5 +/-0.2	06-OCT-09	NT.N	J.L
-	-				

- NOTES:
- 1 DATE DE MOULAGE
 - 2 LOGO D'AMP
 - 3 REFERENCE DU PRODUIT ASSEMBLE
 - 4 N° D'EMPREINTE DU MOULE
 - 5 REVISION DU MOULE
 - 6 MATIERE
 - 7 CONTRE-PARTIE: CONNECTEUR REF.929053
 - 8 DATE D'ASSEMBLAGE (DD = Jour ; M = Mois ; Y = année)
 - 9 ZONE DE MARQUAGE ALTERNATIVE DE LA DATE D'ASSEMBLAGE.



- NOTES:
- 1 HOUSING DATE CODE
 - 2 AMP LOGO
 - 3 ASSY PART NUMBER
 - 4 CAVITY MARKING
 - 5 REVISION STATUS [A] FOR PN953486-1 [B] FOR PN953486-2
 - 6 MATERIAL REFERENCE
 - 7 MATING PART: CONNECTOR PN 929053
 - 8 ASSY DATE CODE (DD = Day ; M = Month ; Y = Year)
 - 9 ALTERNATIVE AREA FOR ASSY DATE MARKING.



ASSY. PN	QTY	MATERIAL	DESIGNATION / NAME	COULEUR / COLOR	ITEM
953486-2	16	CuSn6	MQS LONG CONTACT	POST ETAME / POST TIN	4
953486-1	16	CuSn6	MQS SHORT CONTACT	POST ETAME / POST TIN	3
	1	PBT GF20	BOITIER / HOUSING	BLEU / BLUE	2
	1	PBT GF20	BOITIER / HOUSING	GRIS / GREY	1

THIS DRAWING IS A CONTROLLED DOCUMENT. CE PLAN EST UN DOCUMENT CONTROLE.

DIMENSIONS: mm

TOLERANCES UNLESS OTHERWISE SPECIFIED: (SUJ. N° DE DECIMALES):
 0 P/C/DEC ±
 1 P/C/DEC ±0.3
 2 P/C/DEC ±
 3 P/C/DEC ±
 4 P/C/DEC ±

FINISH FINITION #5

WEIGHT MASSE APPROX. 10.7 g

CUSTOMER DRAWING/PLAN CLIENT

DWN/DESSINE Jacques LAQUERBE 01-JUL-98
 CHK/VERIFIE J.LAQUERBE 18-JUN-99
 APVD/APPROUVE J.J. REVIL 18-JUN-99

NAME TITRE
 EMPLOI
 APPLICATION SPEC SPEC. APPLICATION

SCALE ECHELLE 2:1

SHEET FEUILLE 1 OF 5

REV G

AMP DE FRANCE 95301 PONTOISE

EMBASE 32V MQS COUDEE AVEC OREILLES 32W MQS RIGHT ANGLE HEADER WITH EARS

SIZE FORMAT A2
 CAGE CODE 00779
 DRAWING NO TITRE C-953486

LOC	DIST	REVISIONS				
P	LTR	REV	DESCRIPTION MODIFICATIONS	DATE	DWN DESS.	APVD APP.
F	7	-	-	-	-	-

RECOMMANDATION IMPLANTATION CI

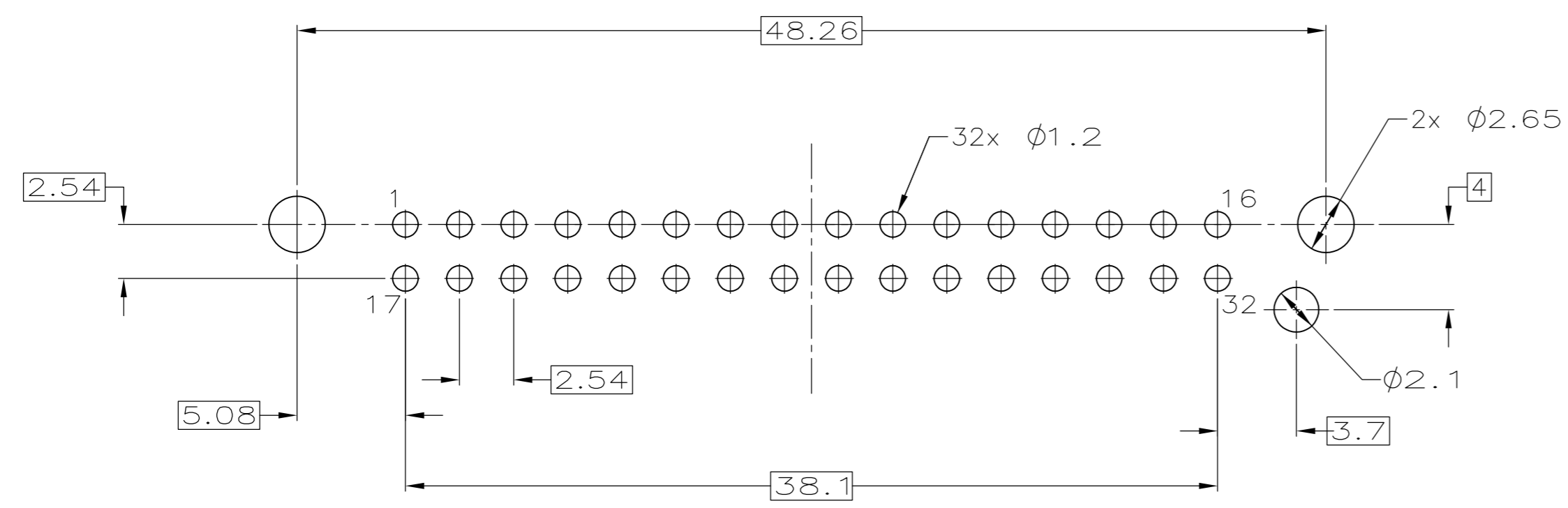
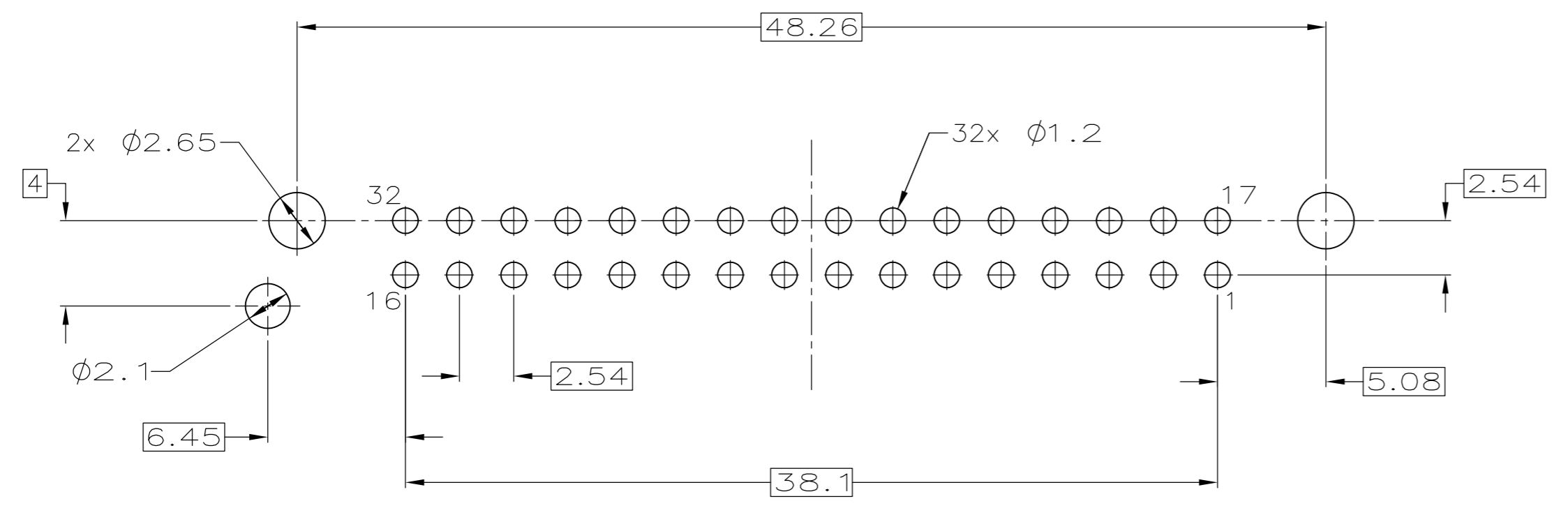
RECOMMENDED PCB LAYOUT

VUE DE DESSUS / VIEW FROM HEADER MOUNTING SIDE

EPAISSEUR CI / PCB THICKNESS : 1.6±0.15

COULEUR: GRIS / COLOUR: GREY
 953486-1
 2-953486-1
 COULEUR: BLEU / COLOUR: BLUE
 953486-4

COULEUR: BLEU / COLOUR: BLUE
 953486-2
 2-953486-2

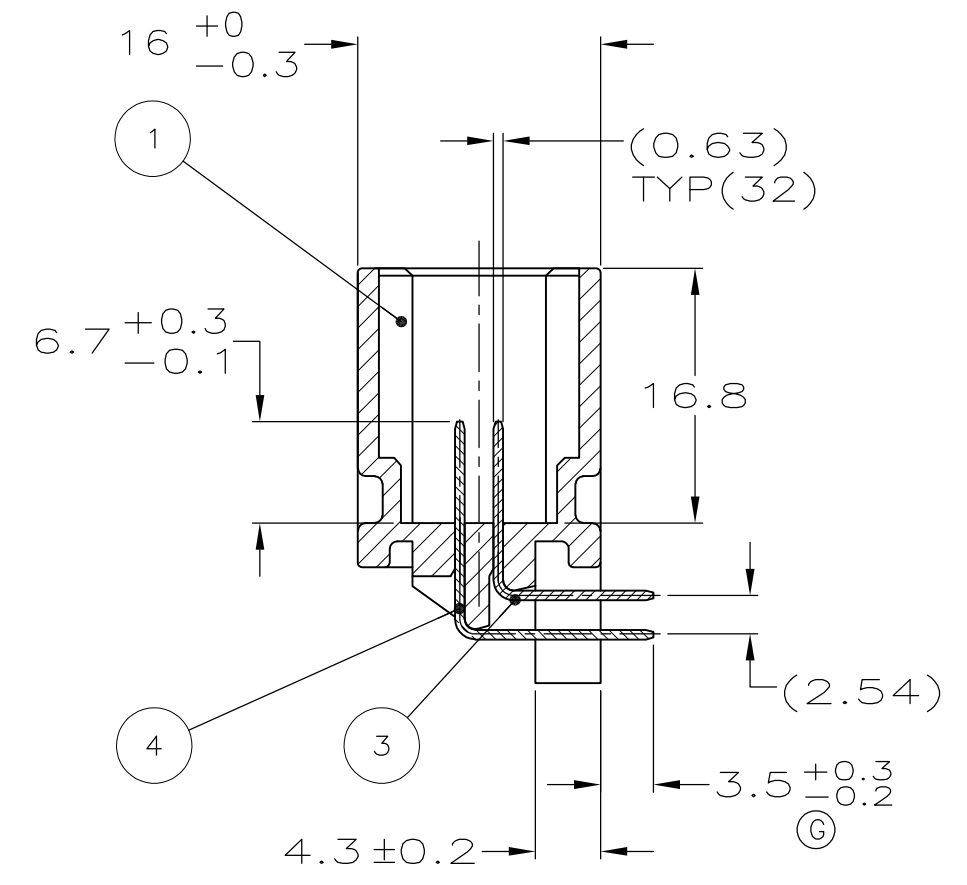
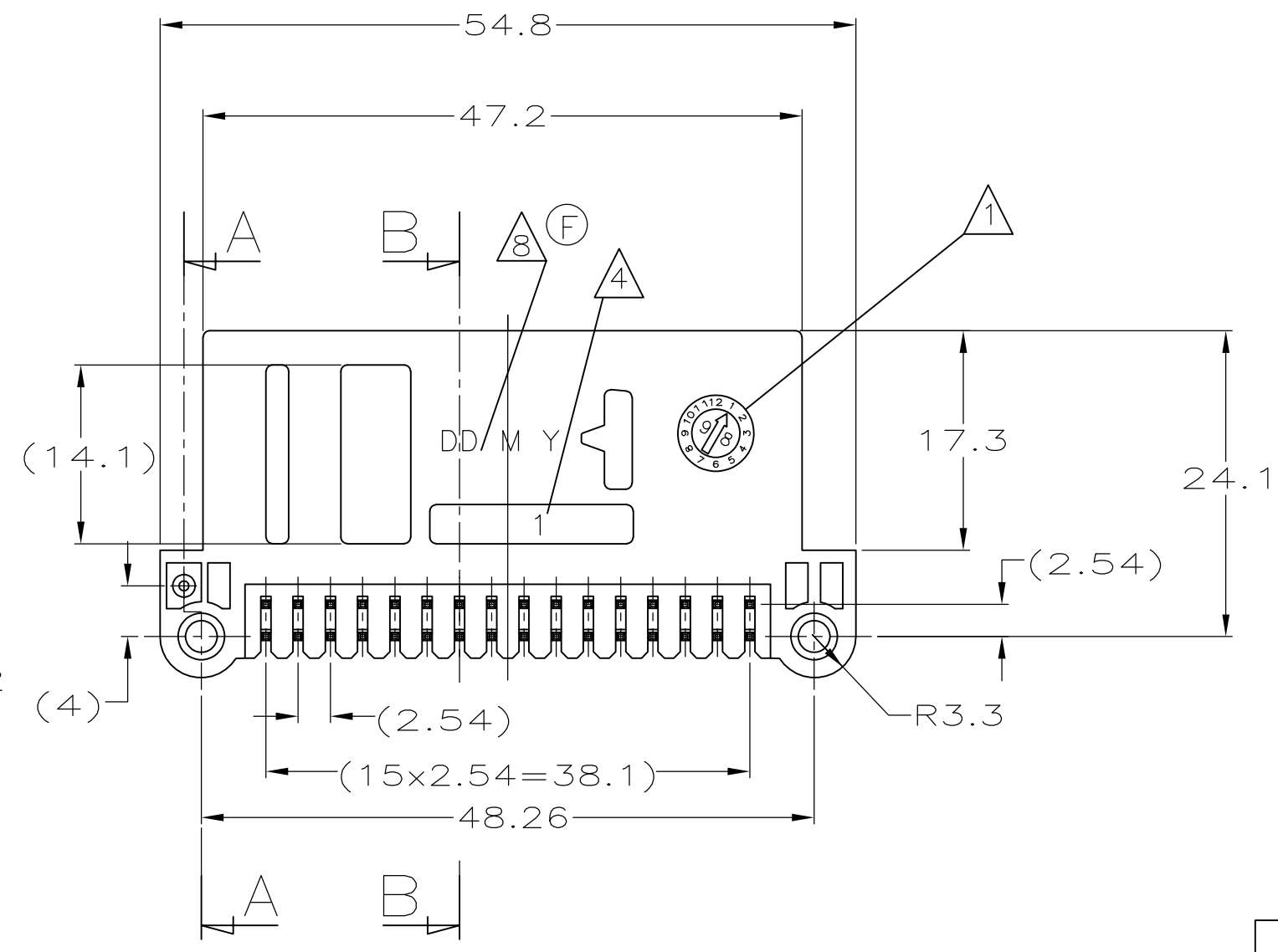
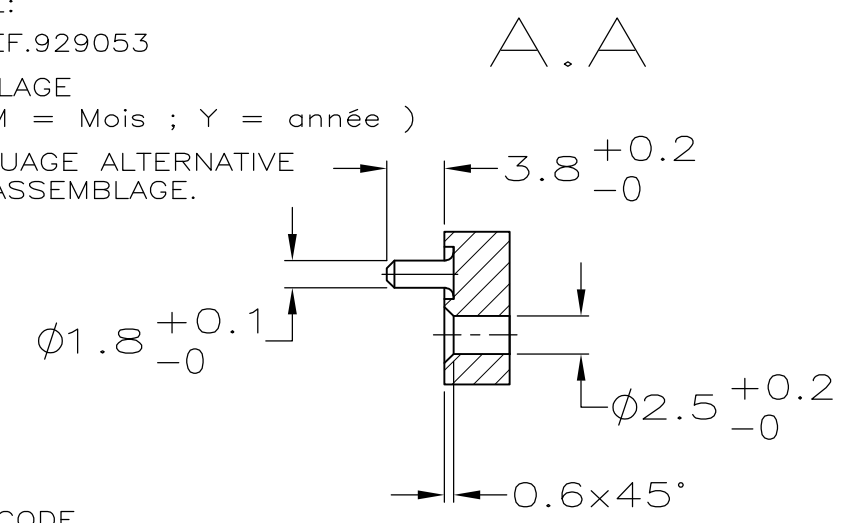


THIS DRAWING IS A CONTROLLED DOCUMENT. CE PLAN EST UN DOCUMENT CONTROLE.		DWN/DESSINE JACQUES LAQUERBE CHK/VERIFIE J. LAQUERBE		01-JUL-98 18-JUN-99		AMP DE FRANCE 95301 PONTOISE	
DIMENSIONS: mm		TOLERANCES UNLESS OTHERWISE SPECIFIED: TOLERANCES NON SPECIFIEES (SUIV NB DE DECIMALES):		APVD/APPROUVE J.J. REVILL 18-JUN-99		NAME TITRE	
0-PLC/DEC ±		1-PLC/DEC ±0.1		PRODUCT SPEC		EMBASE 32V MQS COUDEE AVEC OREILLES 32W MQS RIGHT ANGLE HEADER WITH EARS	
2-PLC/DEC ±		3-PLC/DEC ±		APPLICATION SPEC		SIZE FORMAT	
4-PLC/DEC ±		ANGLES		SPEC. APPLICATION		CAGE CODE DRAWING NO	
MATERIE -		FINISH FINITION ±5		WEIGHT MASSE APPROX. -		A2 00779	
				CUSTOMER DRAWING/PLAN CLIENT POUR REFERENCE		UNIQUEMENT SCALE EHELLE 4:1	
				SHEET OF FEUILLE 2 DE 5		REV 6	

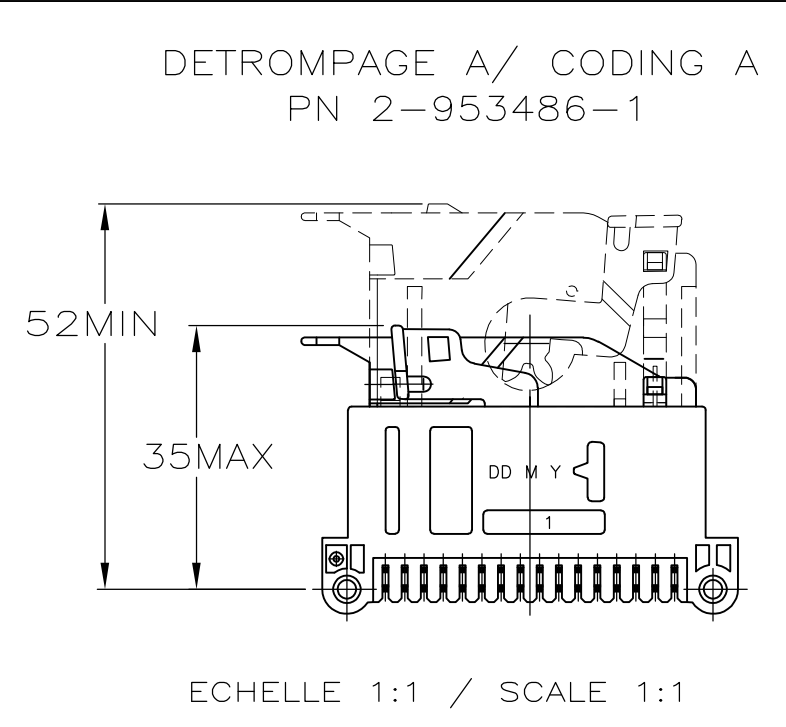
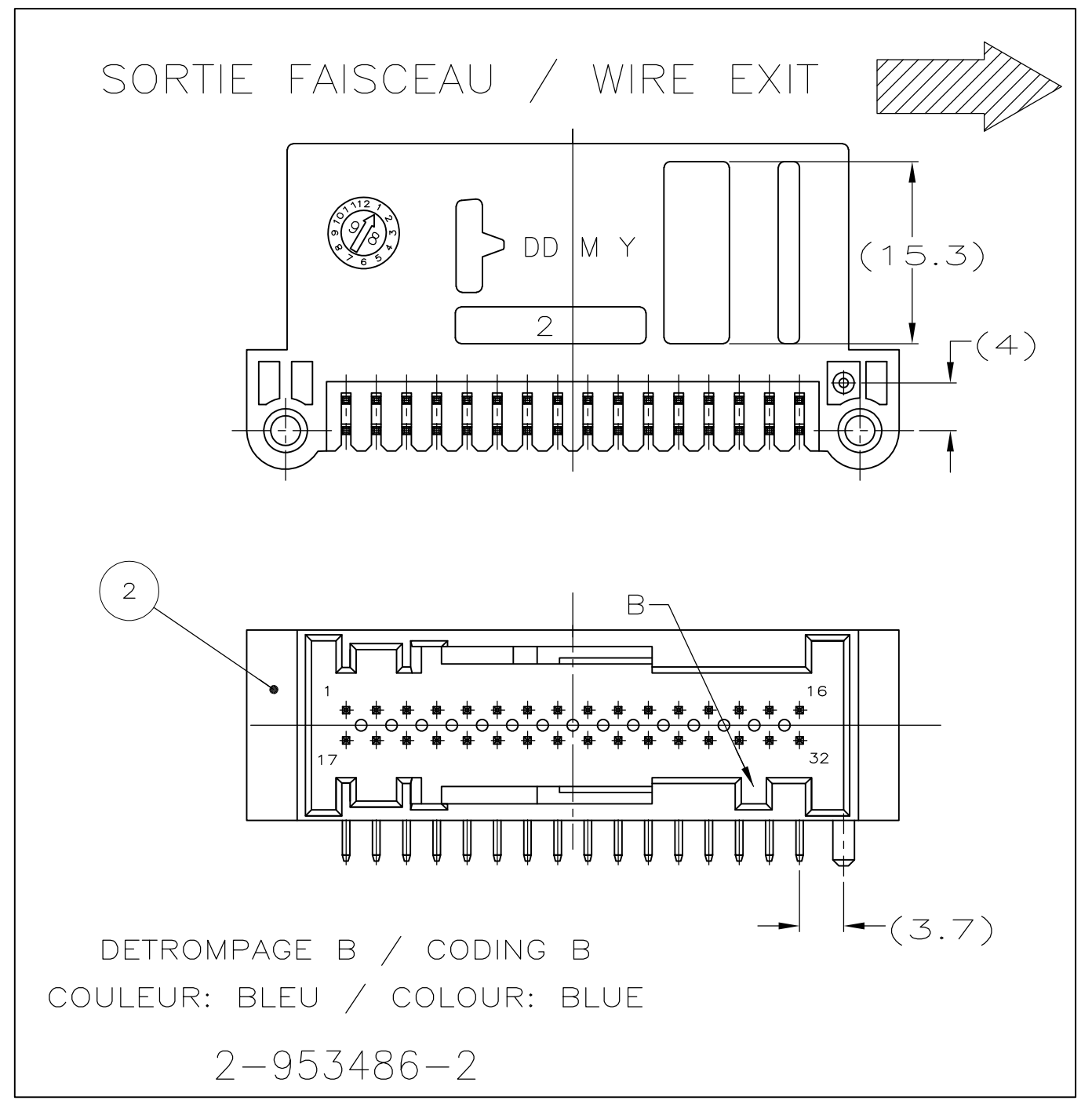
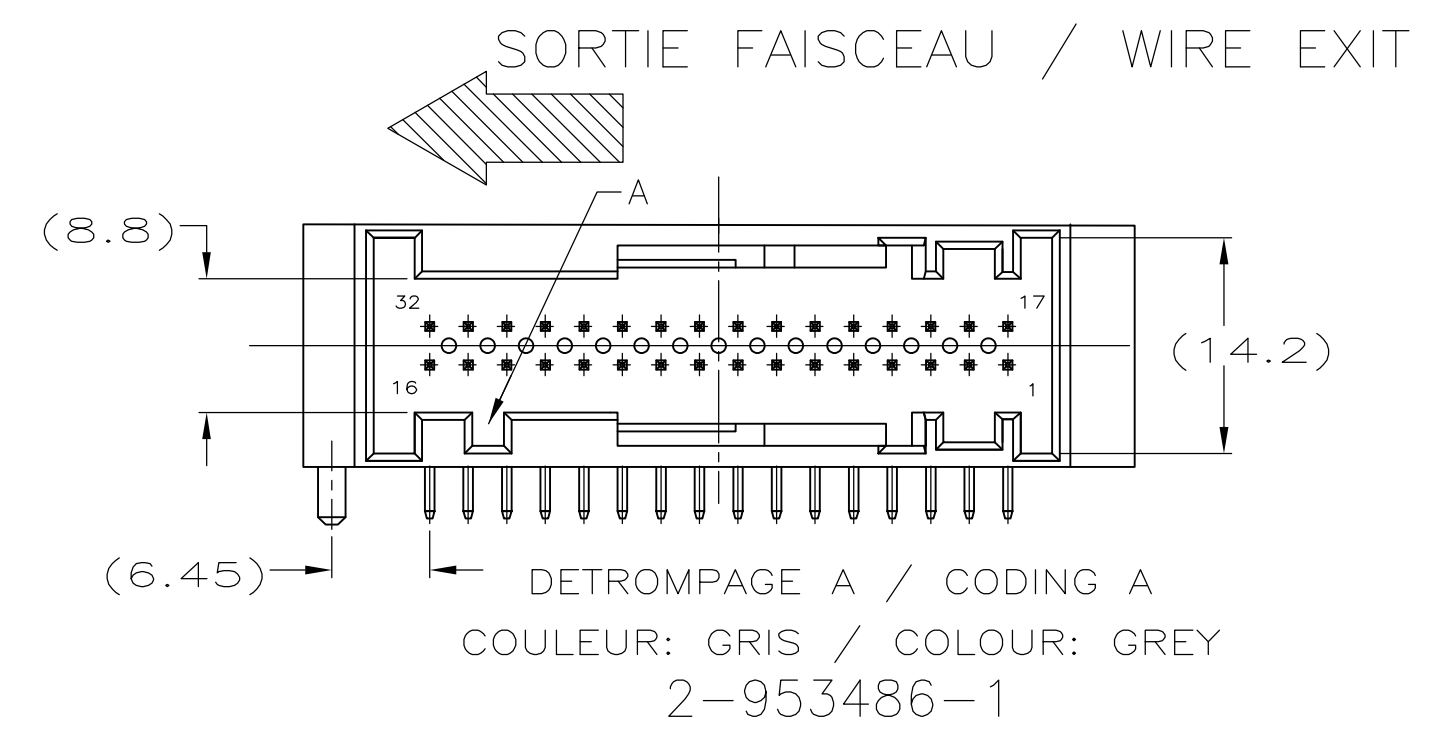
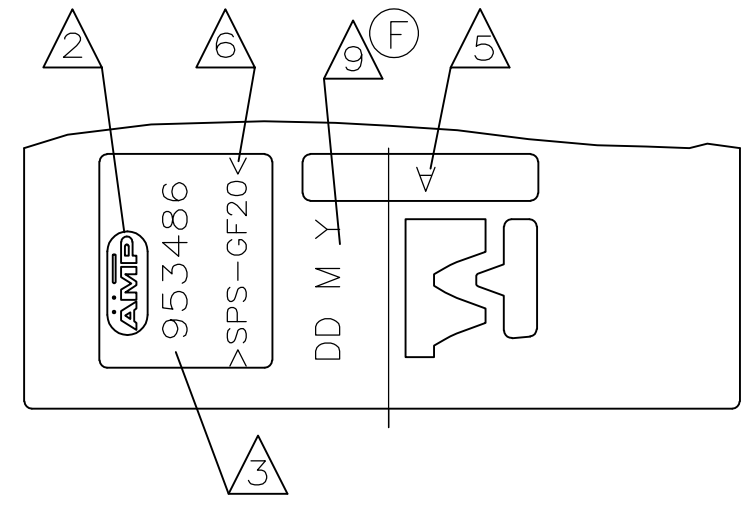
953486

LOC	DIST	REVISIONS			
P	LTR REV	DESCRIPTION MODIFICATIONS	DATE	DWN DESS.	APVD APP.
F	7				

- NOTES:
- 1 DATE DE MOULAGE
 - 2 LOGO D'AMP
 - 3 REFERENCE DU PRODUIT ASSEMBLE
 - 4 N° D'EMPREINTE DU MOULE
 - 5 REVISION DU MOULE
 - 6 MATIERE
 - 7 CONTRE-PARTIE: CONNECTEUR REF.929053
 - 8 DATE D'ASSEMBLAGE (DD = Jour ; M = Mois ; Y = année)
 - 9 ZONE DE MARQUAGE ALTERNATIVE DE LA DATE D'ASSEMBLAGE.



- NOTES:
- 1 HOUSING DATE CODE
 - 2 AMP LOGO
 - 3 ASSY PART NUMBER
 - 4 CAVITY MARKING
 - 5 REVISION STATUS [A] FOR PN 2-953486-1 [B] FOR PN 2-953486-2
 - 6 MATERIAL REFERENCE
 - 7 MATING PART: CONNECTOR PN 929053
 - 8 ASSY DATE CODE (DD = Day ; M = Month ; Y = Year)
 - 9 ALTERNATIVE AREA FOR ASSY DATE MARKING.



ASSY. PN	2-953486-2	2-953486-1
16	16	CuSn6
16	16	CuSn6
1	-	SPS GF20
-	1	SPS GF20
QTY	MATERIAL	DESIGNATION / NAME
		COULEUR / COLOR
		ITEM

16	16	CuSn6	MQS LONG CONTACT	POST ETAME / POST TIN	4
16	16	CuSn6	MQS SHORT CONTACT	POST ETAME / POST TIN	3
1	-	SPS GF20	BOITIER / HOUSING	BLEU / BLUE	2
-	1	SPS GF20	BOITIER / HOUSING	GRIS / GREY	1
QTY	MATERIAL	DESIGNATION / NAME	COULEUR / COLOR	ITEM	

THIS DRAWING IS A CONTROLLED DOCUMENT. CE PLAN EST UN DOCUMENT CONTROLE.

DIMENSIONS: mm

TOLERANCES UNLESS OTHERWISE SPECIFIED: (SUJ. N° DE DECIMALES): 0 DEC/DEC ±, 1 DEC/DEC ±0.3, 2 DEC/DEC ±, 3 DEC/DEC ±, 4 DEC/DEC ± ANGLES ±5'

MATERIAL MATIERE: FINISH FINITION

WEIGHT MASSE APPROX. 10.0 g

CUSTOMER DRAWING/PLAN CLIENT

DWN/DESSINE Jacques LAQUERBE 25-JAN-00
CHK/VERIFIE J. LAQUERBE 25-JAN-00
APVD/APPROUVE J.J. REVIL 25-JAN-00

NAME TITRE: EMPBASE 32V MQS COUDEE AVEC OREILLES 32W MQS RIGHT ANGLE HEADER WITH EARS

AMP DE FRANCE 95301 PONTOISE

SIZE FORMAT: A2
CAGE CODE: 00779
DRAWING NO TITRE: C-953486

RESTRICTED TO: -

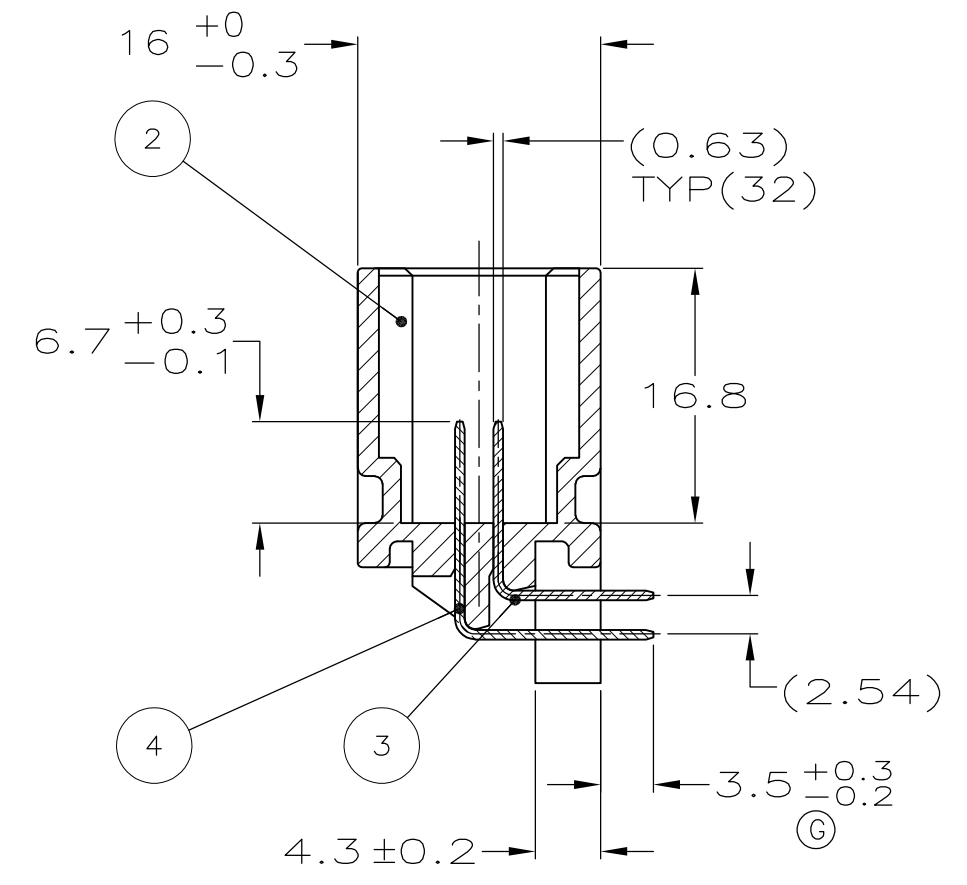
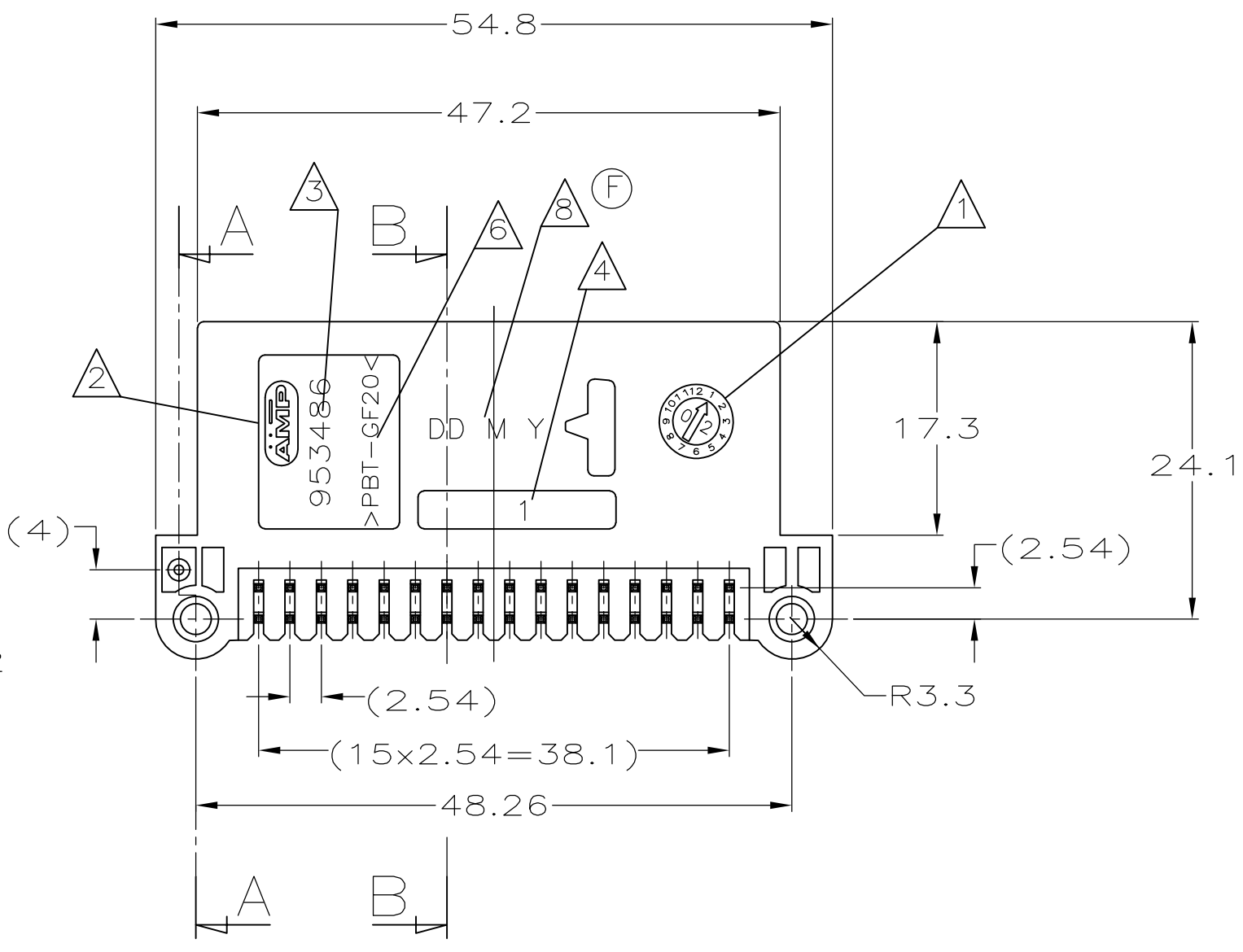
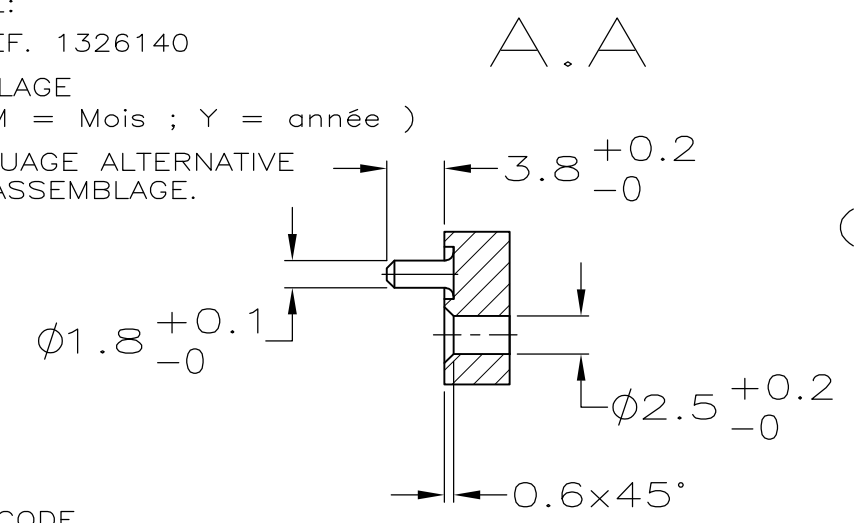
SCALE ECHELLE 2:1
SHEET FEUILLE 3 OF 5
REV 6

953486

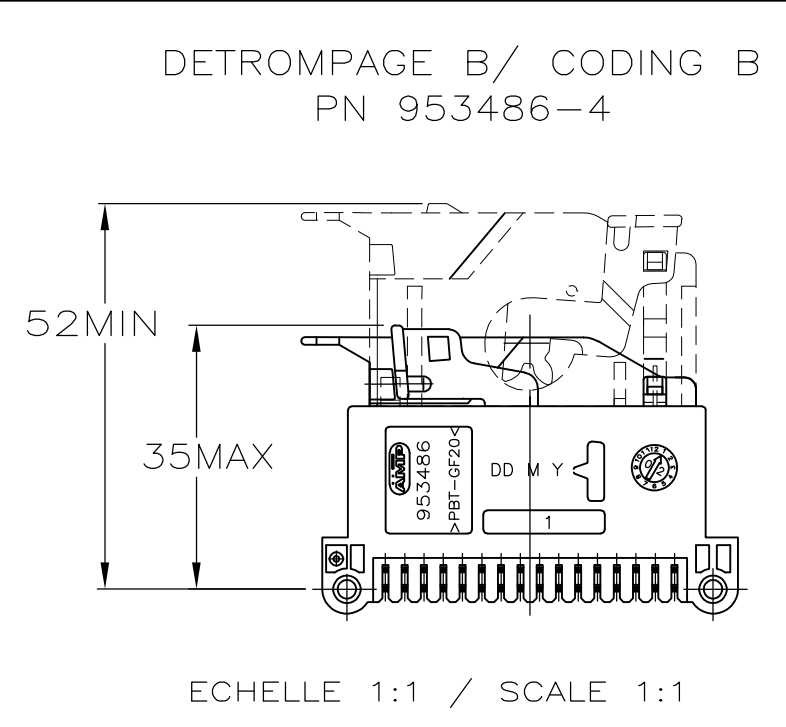
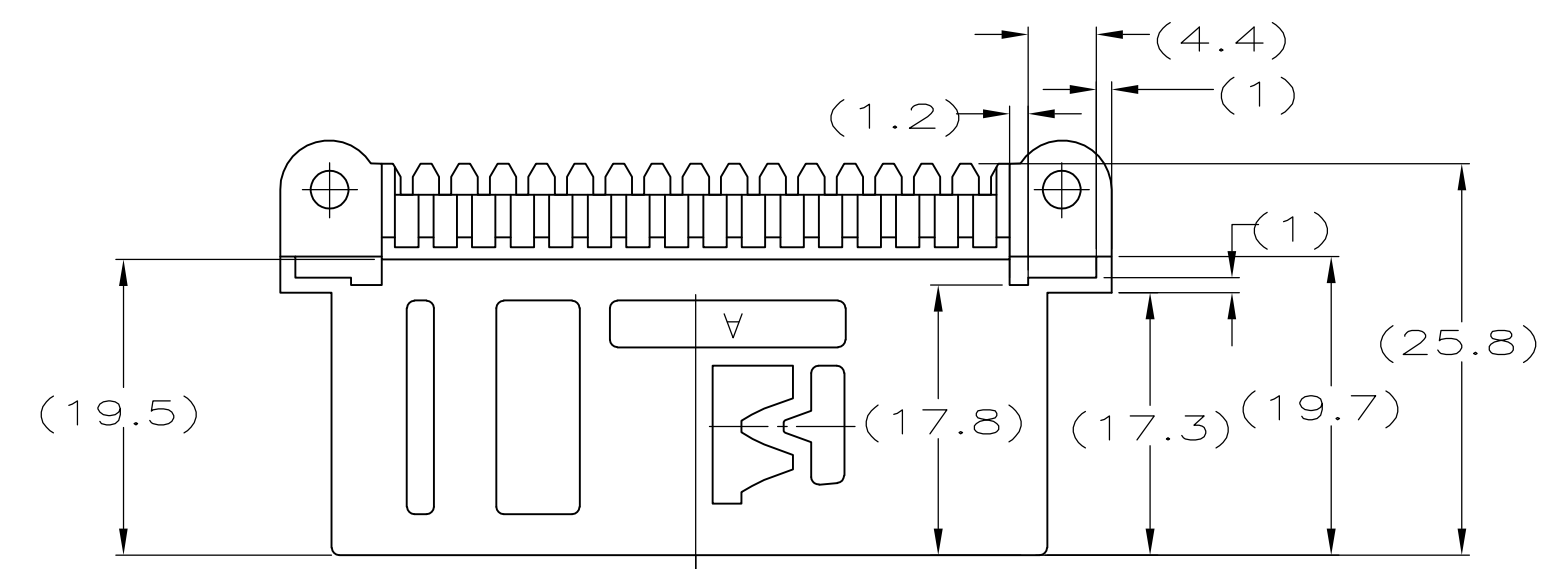
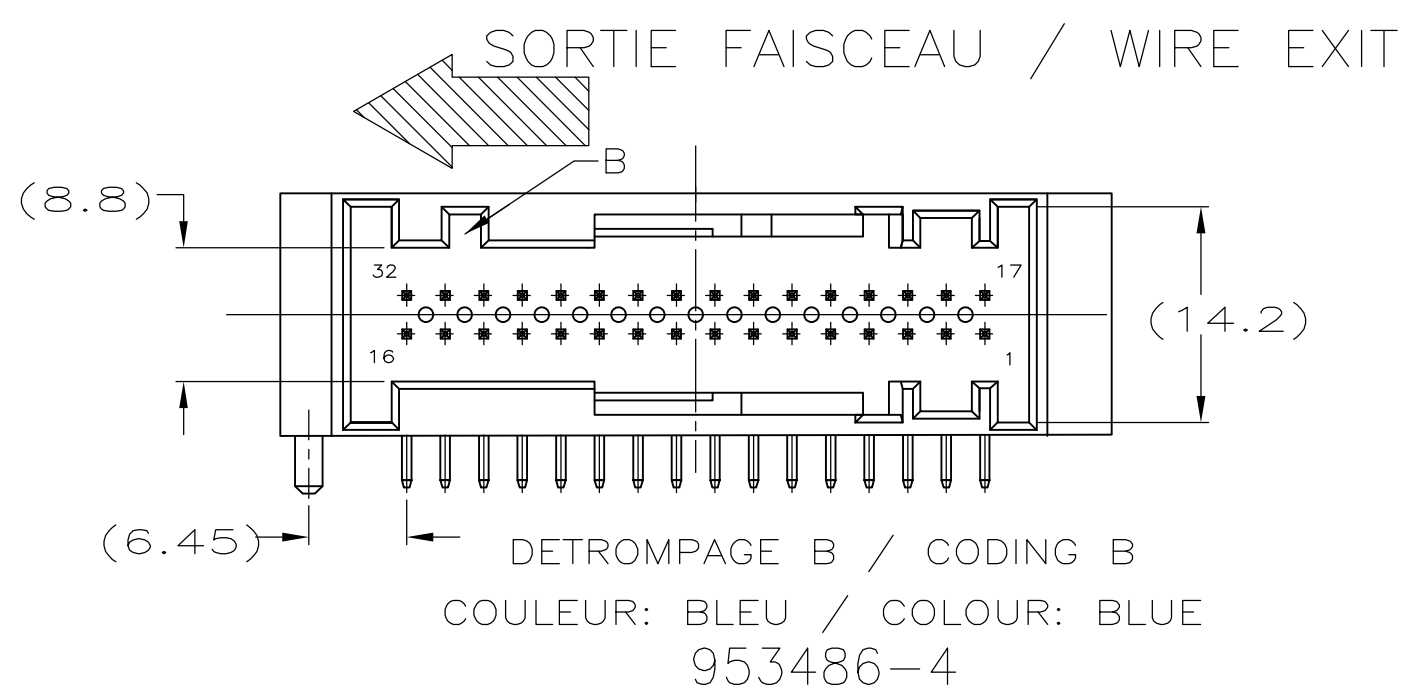
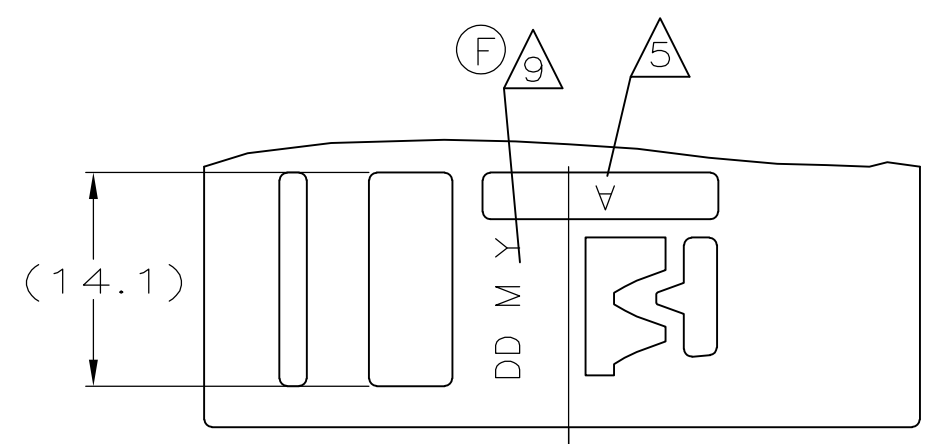
A

LOC F		DIST 7		REVISIONS			
P	LTR REV	DESCRIPTION MODIFICATIONS	DATE	DWN DESS.	APVD APP.		
-	-		-	-	-		
-	-		-	-	-		

- NOTES:
- 1 DATE DE MOULAGE
 - 2 LOGO D'AMP
 - 3 REFERENCE DU PRODUIT ASSEMBLE
 - 4 N° D'EMPREINTE DU MOULE
 - 5 REVISION DU MOULE
 - 6 MATIERE
 - 7 CONTRE-PARTIE: CONNECTEUR REF. 1326140
 - 8 DATE D'ASSEMBLAGE (DD = Jour ; M = Mois ; Y = année)
 - 9 ZONE DE MARQUAGE ALTERNATIVE DE LA DATE D'ASSEMBLAGE.



- NOTES:
- 1 HOUSING DATE CODE
 - 2 AMP LOGO
 - 3 ASSY PART NUMBER
 - 4 CAVITY MARKING
 - 5 REVISION STATUS [A]
 - 6 MATERIAL REFERENCE
 - 7 MATING PART: CONNECTOR PN 1326140
 - 8 ASSY DATE CODE (DD = Day ; M = Month ; Y = Year)
 - 9 ALTERNATIVE AREA FOR ASSY DATE MARKING.



QTY	MATERIAL	DESIGNATION / NAME	COULEUR / COLOR	ITEM
16	16	CuSn6	MQS LONG CONTACT	POST ETAME / POST TIN 4
16	16	CuSn6	MQS SHORT CONTACT	POST ETAME / POST TIN 3
1	-	PBT GF20	BOITIER / HOUSING	BLEU / BLUE 2
-	-	-	-	1

THIS DRAWING IS A CONTROLLED DOCUMENT. CE PLAN EST UN DOCUMENT CONTROLE.

DIMENSIONS: mm

TOLERANCES UNLESS OTHERWISE SPECIFIED: (SUIV N° DE DECIMALES): 0 - PLC / DEC ± 0.3, 1 - PLC / DEC ± 0.3, 2 - PLC / DEC ± 0.3, 3 - PLC / DEC ± 0.3, 4 - PLC / DEC ± 0.3

ANGLES: #5°

MATERIAL: MATIERE - FINISH: FINITION -

WEIGHT: MASSE APPROX. 10.7 g

CUSTOMER DRAWING/PLAN CLIENT: UNIFORME POUR REFERENCE

SCALE: ECHELLE 2:1

SHEET: FEUILLE 4 DE 5

REV: 6

AMP DE FRANCE 95301 PONTOISE

EMBASE 32V MQS COUDEE AVEC OREILLES 32W MQS RIGHT ANGLE HEADER WITH EARS

SIZE: A2

CAGE CODE: 00779

DRAWING NO: 953486

