



Chipsmall Limited consists of a professional team with an average of over 10 year of expertise in the distribution of electronic components. Based in Hongkong, we have already established firm and mutual-benefit business relationships with customers from,Europe,America and south Asia,supplying obsolete and hard-to-find components to meet their specific needs.

With the principle of “Quality Parts,Customers Priority,Honest Operation,and Considerate Service”,our business mainly focus on the distribution of electronic components. Line cards we deal with include Microchip,ALPS,ROHM,Xilinx,Pulse,ON,Everlight and Freescale. Main products comprise IC,Modules,Potentiometer,IC Socket,Relay,Connector.Our parts cover such applications as commercial,industrial, and automotives areas.

We are looking forward to setting up business relationship with you and hope to provide you with the best service and solution. Let us make a better world for our industry!



Contact us

Tel: +86-755-8981 8866 Fax: +86-755-8427 6832

Email & Skype: info@chipsmall.com Web: www.chipsmall.com

Address: A1208, Overseas Decoration Building, #122 Zhenhua RD., Futian, Shenzhen, China



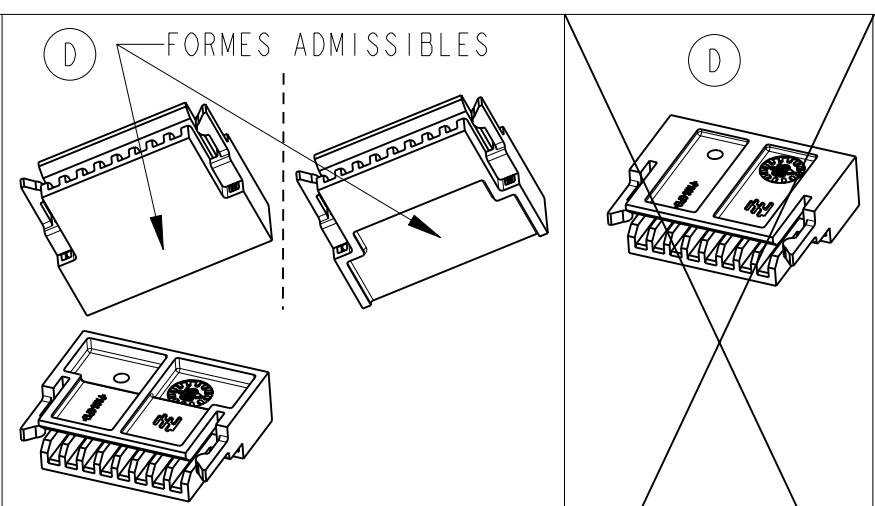
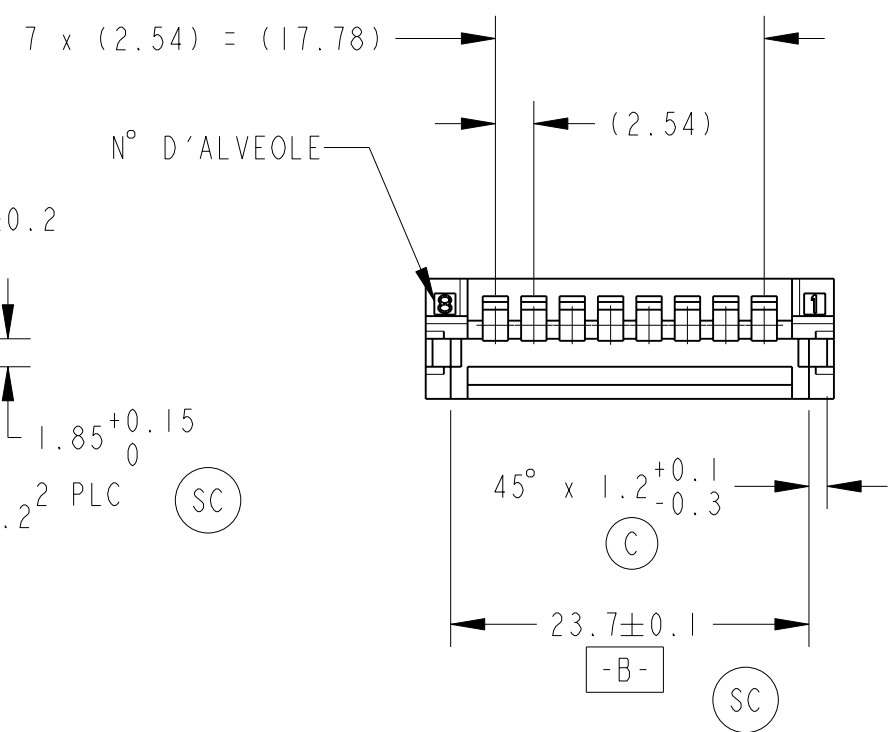
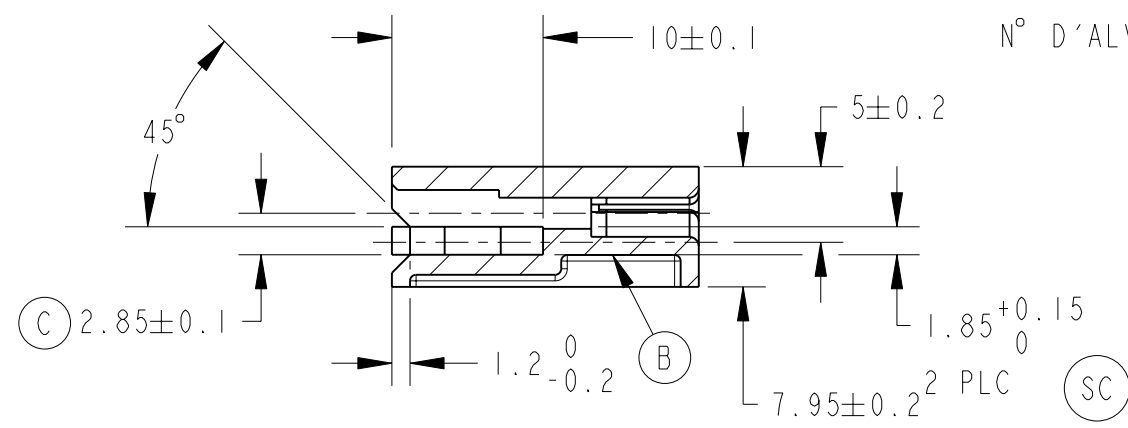
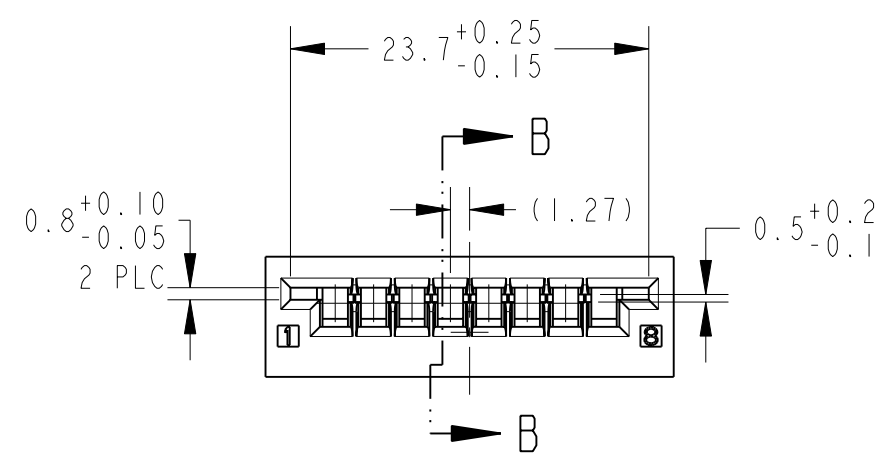
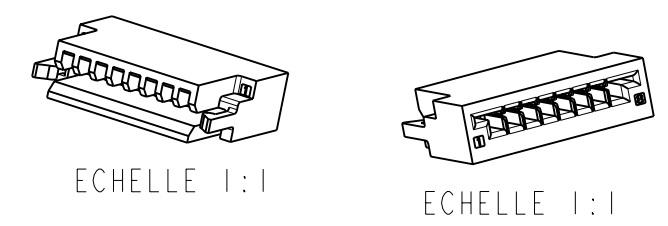
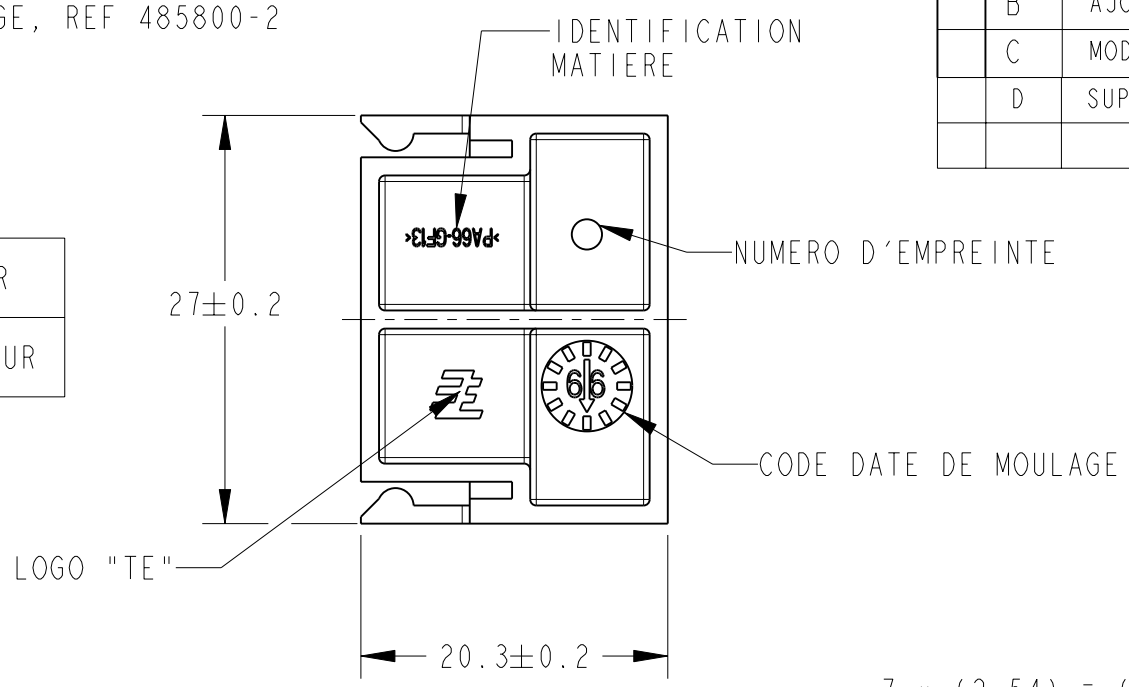
THIS DRAWING IS UNPUBLISHED. DIFFUSION RESTREINTE AMP
 RELEASED FOR PUBLICATION LIBRE A LA DIFFUSION
 20
 (C) COPYRIGHT 20 BY TYCO ELECTRONICS CORPORATION. ALL RIGHTS RESERVED. TOUS DROITS RESERVES

LOC	DIST	REVISIONS					
F	7	P	LTR REV	DESCRIPTION MODIFICATIONS	DATE	DWN DESS.	APVD APP.
			O1	MODIFICATION DE TOLERANCES	21JUL99	PB	JL
			A	AJOUT SPEC. UTILISATION	18JAN01	AA	JL
			B	AJOUT REFERENCES ET ALLEGEMENT	28SEP01	AA	JL
			C	MODIFICATION DE TOLERANCES	10JUL02	AA	JL
			D	SUPPRESSION REF -2 ET AJOUT ALLEGEMENT	02FEV09	EC	XR

NOTE :
 1 - BOITIER A UTILISER AVEC LES CONTACTS PCB EDGE, REF 485800-2

- (C) (SC) - SELON QS 9000
- (A) 2 - UTILISER LE BOITIER SELON SPEC 411-15644

DENOMINATION	REFERENCE	MATIERE	COULEUR
BOITIER ENCARTABLE 8 VOIES EDGE	953552-X	PA66 13% FV	NOIR



VUE	REFERENCE	DESCRIPTION
(D)	953552-1	VERSION ALLEGEE (REPRESENTEE)
(D)	953552-2	VERSION STANDARD

THIS DRAWING IS A CONTROLLED DOCUMENT FOR TYCO ELECTRONICS CORPORATION IT IS SUBJECT TO CHANGE AND THE CONTROLLING ENGINEERING ORGANIZATION SHOULD BE CONTACTED FOR THE LATEST REVISION.
 CE PLAN EST UN DOCUMENT CONTROLE PAR TE CORPORATION. IL EST SUSCEPTIBLE D'ETRE REVISE. CONTACTER LE SERVICE CLIENT DE TE FRANCE POUR OBTENIR LA DERNIERE REVISION.

DIMENSIONS:	TOLERANCES UNLESS OTHERWISE SPECIFIED: TOLERANCES NON SPECIFIEES:
mm	(SUIV NB DE DECIMALES):
	0 PLC/DEC: ±
	1 PLC/DEC: ±
	2 PLC/DEC: ± 0.2
	3 PLC/DEC: ±
	4 PLC/DEC: ±
	ANGLES ±5°
MATERIAL MATIERE	FINISH FINITION
-	-
VOIR TABLEAU	

DWN/DESSINE	13JAN 98		TYCO ELECTRONICS France SAS	
P. BOURILLON			BP 30039, 95301 CERGY-PONTOISE Cedex	
CHK/VERIFIE	26AOU98	NAME TITRE		
J. LAQUERBE		BOITIER ENCARTABLE 8 VOIES EDGE POUR CIRCUIT FLEXIBLE		
APVD/APPROUVE	26AOU98	PRODUCT SPEC SPEC. PRODUIT	108-15128	
JJ. REVII		APPLICATION SPEC SPEC. APPLICATION	-	
WEIGHT MASSE APPROX.	3 gr	SIZE FORMAT	A3	RESTRICTED TO RESERVE A
CUSTOMER DRAWING /PLAN CLIENT	UNIQUEMENT POUR REFERENCE	CAGE CODE	00779	
	SCALE ECHELLE	DRAWING NO No PLAN	C=953552	
		SHEET FEUILLE	OF DE	REV D