



Chipsmall Limited consists of a professional team with an average of over 10 year of expertise in the distribution of electronic components. Based in Hongkong, we have already established firm and mutual-benefit business relationships with customers from,Europe,America and south Asia,supplying obsolete and hard-to-find components to meet their specific needs.

With the principle of “Quality Parts,Customers Priority,Honest Operation,and Considerate Service”,our business mainly focus on the distribution of electronic components. Line cards we deal with include Microchip,ALPS,ROHM,Xilinx,Pulse,ON,Everlight and Freescale. Main products comprise IC,Modules,Potentiometer,IC Socket,Relay,Connector.Our parts cover such applications as commercial,industrial, and automotives areas.

We are looking forward to setting up business relationship with you and hope to provide you with the best service and solution. Let us make a better world for our industry!



## Contact us

Tel: +86-755-8981 8866 Fax: +86-755-8427 6832

Email & Skype: info@chipsmall.com Web: www.chipsmall.com

Address: A1208, Overseas Decoration Building, #122 Zhenhua RD., Futian, Shenzhen, China



## Programmable Timing Control Hub™ for Next Gen P4™ processor

### Recommended Application:

CK410 compliant clock

### Output Features:

- 2 - 0.7V current-mode differential CPU pairs
- 1 - 0.7V current-mode differential SRC pair
- 6 - PCI (33MHz)
- 3 - PCICLK\_F, (33MHz) free-running
- 1 - USB, 48MHz
- 1 - 24/48 MHz
- 1 - DOT, 96MHz, 0.7V current differential pair
- 2 - REF, 14.318MHz
- 5 - PCI-Express 0.7V current differential pairs

### Key Specifications:

- CPU/SRC outputs cycle-cycle jitter < 85ps
- PCI outputs cycle-cycle jitter < 250ps
- +/- 300ppm frequency accuracy on CPU & SRC clocks

### Features/Benefits:

- Programmable output frequencies
- Programmable output skew.
- Programmable spread percentage for EMI control.
- Programmable watch dog safe frequency.
- Supports tight ppm accuracy clocks for Serial-ATA
- Supports spread spectrum modulation, 0 to -0.5% down spread, ±0.25% center spread, and ±0.3% center spread
- Uses external 14.318MHz crystal, external crystal load caps are required for frequency tuning
- Supports undriven differential CPU, SRC pair in PD# for power management.

### Functionality

| Bit4 | Bit3 | Bit2<br>FSLC | Bit1<br>FSLB | Bit0<br>FSLA | CPU<br>MHz | PCIEX<br>MHz | SRC<br>MHz | PCI<br>MHz |
|------|------|--------------|--------------|--------------|------------|--------------|------------|------------|
| 0    | 0    | 0            | 0            | 0            | 266.66     | 100.00       | 100.00     | 33.33      |
| 0    | 0    | 0            | 0            | 1            | 133.33     | 100.00       | 100.00     | 33.33      |
| 0    | 0    | 0            | 1            | 0            | 200.00     | 100.00       | 100.00     | 33.33      |
| 0    | 0    | 0            | 1            | 1            | 166.66     | 100.00       | 100.00     | 33.33      |
| 0    | 0    | 1            | 0            | 0            | 333.33     | 100.00       | 100.00     | 33.33      |
| 0    | 0    | 1            | 0            | 1            | 100.00     | 100.00       | 100.00     | 33.33      |
| 0    | 0    | 1            | 1            | 0            | 400.00     | 100.00       | 100.00     | 33.33      |
| 0    | 0    | 1            | 1            | 1            | 200.00     | 100.00       | 100.00     | 33.33      |
| 0    | 1    | 0            | 0            | 0            | 266.66     | 133.33       | 133.33     | 33.33      |
| 0    | 1    | 0            | 0            | 1            | 133.33     | 133.33       | 133.33     | 33.33      |
| 0    | 1    | 0            | 1            | 0            | 200.00     | 133.33       | 133.33     | 33.33      |
| 0    | 1    | 0            | 1            | 1            | 166.66     | 125.00       | 125.00     | 33.33      |
| 0    | 1    | 1            | 0            | 1            | 100.00     | 133.33       | 133.33     | 33.33      |
| 0    | 1    | 1            | 1            | 0            | 400.00     | 133.33       | 133.33     | 33.33      |
| 0    | 1    | 1            | 1            | 1            | 200.00     | 133.33       | 133.33     | 33.33      |
| 1    | 0    | 0            | 0            | 0            | 269.33     | 101.00       | 101.00     | 33.67      |
| 1    | 0    | 0            | 0            | 1            | 134.66     | 101.00       | 101.00     | 33.67      |
| 1    | 0    | 0            | 1            | 0            | 202.00     | 101.00       | 101.00     | 33.67      |
| 1    | 0    | 0            | 1            | 1            | 168.33     | 101.00       | 101.00     | 33.67      |
| 1    | 0    | 1            | 0            | 0            | 274.66     | 103.00       | 103.00     | 34.33      |
| 1    | 0    | 1            | 0            | 1            | 137.33     | 103.00       | 103.00     | 34.33      |
| 1    | 0    | 1            | 1            | 0            | 206.00     | 103.00       | 103.00     | 34.33      |
| 1    | 0    | 1            | 1            | 1            | 171.66     | 103.00       | 103.00     | 34.33      |
| 1    | 1    | 0            | 0            | 0            | 279.99     | 105.00       | 105.00     | 35.00      |
| 1    | 1    | 0            | 0            | 1            | 140.00     | 105.00       | 105.00     | 35.00      |
| 1    | 1    | 0            | 1            | 0            | 210.00     | 105.00       | 105.00     | 35.00      |
| 1    | 1    | 0            | 1            | 1            | 174.99     | 105.00       | 105.00     | 35.00      |
| 1    | 1    | 1            | 0            | 0            | 287.99     | 108.00       | 108.00     | 36.00      |
| 1    | 1    | 1            | 0            | 1            | 144.00     | 108.00       | 108.00     | 36.00      |
| 1    | 1    | 1            | 1            | 0            | 216.00     | 108.00       | 108.00     | 36.00      |
| 1    | 1    | 1            | 1            | 1            | 179.99     | 108.00       | 108.00     | 36.00      |

\* Entries 00111 & 01111 are 250MHz on the B & C revision.

### Pin Configuration

|                             |    |    |                        |
|-----------------------------|----|----|------------------------|
| GND                         | 1  | 56 | VDDPCI                 |
| PCICLK3                     | 2  | 55 | PCICLK2                |
| PCICLK4                     | 3  | 54 | PCICLK1                |
| PCICLK5                     | 4  | 53 | PCICLK0                |
| GND                         | 5  | 52 | Reset#                 |
| VDDPCI                      | 6  | 51 | REF0/FS <sub>L</sub> C |
| PCICLK_F0                   | 7  | 50 | REF1                   |
| FS <sub>L</sub> A/PCICLK_F1 | 8  | 49 | GND                    |
| FS <sub>L</sub> B/PCICLK_F2 | 9  | 48 | X1                     |
| VDD48                       | 10 | 47 | X2                     |
| **SEL24_48#/24_48MHz        | 11 | 46 | VDDREF                 |
| USB_48MHz                   | 12 | 45 | SCLK                   |
| GND                         | 13 | 44 | SDATA                  |
| DOTT_96MHz                  | 14 | 43 | CPUCLKT0               |
| DOTC_96MHz                  | 15 | 42 | CPUCLKC0               |
| Vtt_PwrGd#/PD               | 16 | 41 | VDDCPU                 |
| PCIEXT0                     | 17 | 40 | CPUCLKT1               |
| PCIEXC0                     | 18 | 39 | CPUCLKC1               |
| VDDPCIEX                    | 19 | 38 | GND                    |
| GND                         | 20 | 37 | IREF                   |
| PCIEXT1                     | 21 | 36 | GNDA                   |
| PCIEXC1                     | 22 | 35 | VDDA                   |
| PCIEXT2                     | 23 | 34 | VDDPCIEX               |
| PCIEXC2                     | 24 | 33 | PCIEXT4                |
| GND                         | 25 | 32 | PCIEXC4                |
| SRCCLKT                     | 26 | 31 | PCIEXT3                |
| SRCCLKC                     | 27 | 30 | PCIEXC3                |
| VDDSRC                      | 28 | 29 | GND                    |

### 56-Pin SSOP

\* Internal Pull-Up Resistor

\*\* Internal Pull-Down Resistor

## Pin Description

| PIN # | PIN NAME             | PIN TYPE | DESCRIPTION   |
|-------|----------------------|----------|---|
| 1     | GND                  | PWR      | Ground pin.   |
| 2     | PCICLK3              | OUT      | PCI clock output.   |
| 3     | PCICLK4              | OUT      | PCI clock output.   |
| 4     | PCICLK5              | OUT      | PCI clock output.   |
| 5     | GND                  | PWR      | Ground pin.   |
| 6     | VDDPCI               | PWR      | Power supply for PCI clocks, nominal 3.3V   |
| 7     | PCICLK_F0            | OUT      | Free running PCI clock not affected by PCI_STOP# .  |
| 8     | FSLA/PCICLK_F1       | I/O      | 3.3V tolerant input for CPU frequency selection. Refer to input electrical characteristics for Vil_FS and Vih_FS values. / 3.3V PCI free running clock output.  |
| 9     | FSLB/PCICLK_F2       | I/O      | 3.3V tolerant input for CPU frequency selection. Refer to input electrical characteristics for Vil_FS and Vih_FS values./ 3.3V PCI free running clock output.   |
| 10    | VDD48                | PWR      | Power pin for the 48MHz output.3.3V   |
| 11    | **SEL24_48#/24_48MHz | I/O      | Latched select input for 24/48MHz output / 24/48MHz clock output. 1=24MHz, 0 = 48MHz.   |
| 12    | USB_48MHz            | OUT      | 48.00MHz USB clock  |
| 13    | GND                  | PWR      | Ground pin.   |
| 14    | DOTT_96MHz           | OUT      | True clock of differential pair for 96.00MHz DOT clock.   |
| 15    | DOTC_96MHz           | OUT      | Complement clock of differential pair for 96.00MHz DOT clock.   |
| 16    | Vtt_PwrGd#/PD        | IN       | Vtt_PwrGd# is an active low input used to determine when latched inputs are ready to be sampled. PD is an asynchronous active high input pin used to put the device into a low power state. The internal clocks, PLLs and the crystal oscillator are stopped. |
| 17    | PCIEXT0              | OUT      | True clock of differential PCI_Express pair.  |
| 18    | PCIEXC0              | OUT      | Complement clock of differential PCI_Express pair.  |
| 19    | VDDPCIEX             | PWR      | Power supply for PCI Express clocks, nominal 3.3V   |
| 20    | GND                  | PWR      | Ground pin.   |
| 21    | PCIEXT1              | OUT      | True clock of differential PCI_Express pair.  |
| 22    | PCIEXC1              | OUT      | Complement clock of differential PCI_Express pair.  |
| 23    | PCIEXT2              | OUT      | True clock of differential PCI_Express pair.  |
| 24    | PCIEXC2              | OUT      | Complement clock of differential PCI_Express pair.  |
| 25    | GND                  | PWR      | Ground pin.   |
| 26    | SRCCLKT              | OUT      | True clock of differential pair for S-ATA support.<br>+/- 300ppm accuracy required.   |
| 27    | SRCCLKC              | OUT      | Complement clock of differential pair for S-ATA support.<br>+/- 300ppm accuracy required.   |
| 28    | VDDSRC               | PWR      | Supply for SRC clocks, 3.3V nominal   |

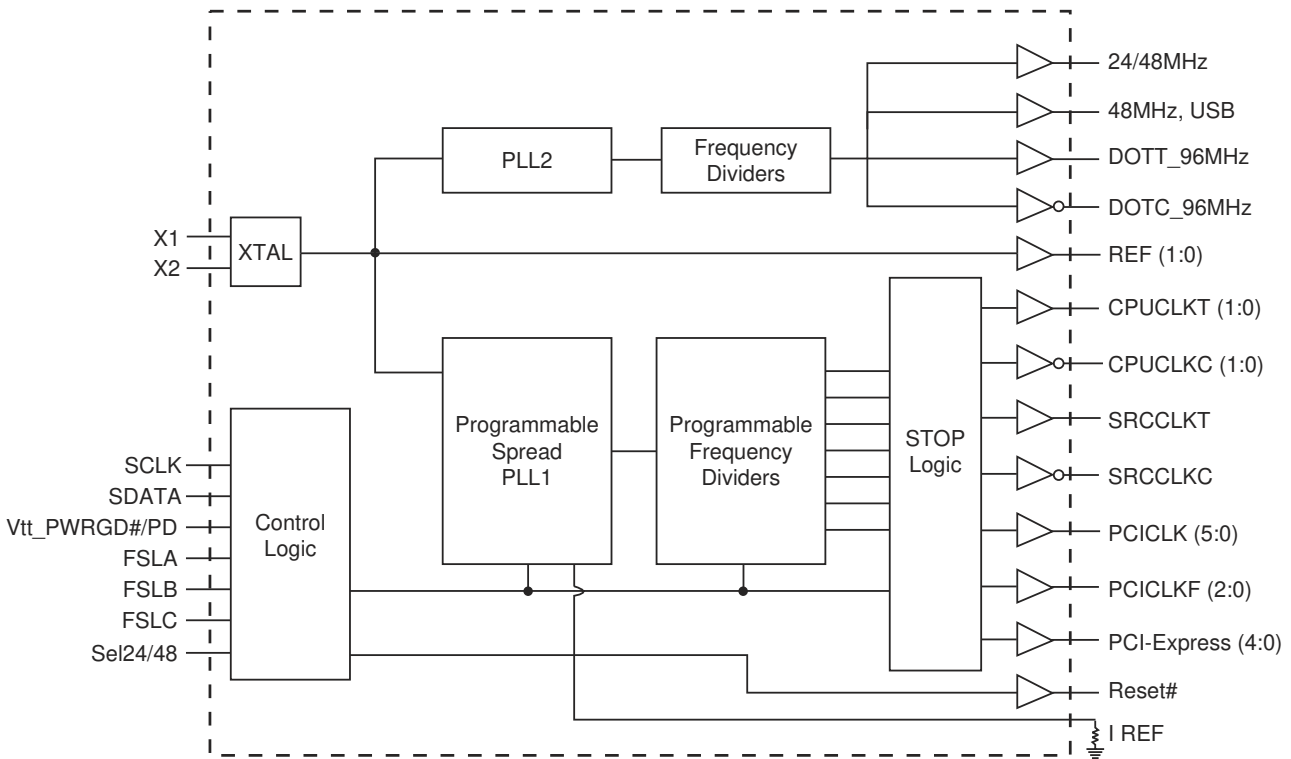
## Pin Description

| PIN # | PIN NAME  | TYPE | DESCRIPTION   |
|-------|-----------|------|---|
| 29    | GND       | PWR  | Ground pin.   |
| 30    | PCIEXC3   | OUT  | Complement clock of differential PCI_Express pair.  |
| 31    | PCIEXT3   | OUT  | True clock of differential PCI_Express pair.  |
| 32    | PCIEXC4   | OUT  | Complement clock of differential PCI_Express pair.  |
| 33    | PCIEXT4   | OUT  | True clock of differential PCI_Express pair.  |
| 34    | VDDPCIEX  | PWR  | Power supply for PCI Express clocks, nominal 3.3V   |
| 35    | VDDA      | PWR  | 3.3V power for the PLL core.  |
| 36    | GNDA      | PWR  | Ground pin for the PLL core.  |
| 37    | IREF      | OUT  | This pin establishes the reference current for the differential current-mode output pairs. This pin requires a fixed precision resistor tied to ground in order to establish the appropriate current. 475 ohms is the standard value. |
| 38    | GND       | PWR  | Ground pin.   |
| 39    | CPUCLKC1  | OUT  | Complimentary clock of differential pair CPU outputs. These are current mode outputs. External resistors are required for voltage bias.   |
| 40    | CPUCLKT1  | OUT  | True clock of differential pair CPU outputs. These are current mode outputs. External resistors are required for voltage bias.  |
| 41    | VDDCPU    | PWR  | Supply for CPU clocks, 3.3V nominal   |
| 42    | CPUCLKC0  | OUT  | Complimentary clock of differential pair CPU outputs. These are current mode outputs. External resistors are required for voltage bias.   |
| 43    | CPUCLKT0  | OUT  | True clock of differential pair CPU outputs. These are current mode outputs. External resistors are required for voltage bias.  |
| 44    | SDATA     | I/O  | Data pin for SMBus circuitry, 5V tolerant.  |
| 45    | SCLK      | IN   | Clock pin of SMBus circuitry, 5V tolerant.  |
| 46    | VDDREF    | PWR  | Ref, XTAL power supply, nominal 3.3V  |
| 47    | X2        | OUT  | Crystal output, Nominally 14.318MHz   |
| 48    | X1        | IN   | Crystal input, Nominally 14.318MHz.   |
| 49    | GND       | PWR  | Ground pin.   |
| 50    | REF1      | OUT  | 14.318 MHz reference clock.   |
| 51    | REF0/FSLC | I/O  | 14.318 MHz reference clock./ 3.3V tolerant input for CPU frequency selection. Refer to input electrical characteristics for $V_{il\_FS}$ and $V_{ih\_FS}$ values.   |
| 52    | Reset#    | OUT  | Real time system reset signal for frequency gear ratio change or watchdog timer timeout. This signal is active low.   |
| 53    | PCICLK0   | OUT  | PCI clock output.   |
| 54    | PCICLK1   | OUT  | PCI clock output.   |
| 55    | PCICLK2   | OUT  | PCI clock output.   |
| 56    | VDDPCI    | PWR  | Power supply for PCI clocks, nominal 3.3V   |

### General Description

ICS954119 follows Intel CK410 Yellow Cover specification. This clock synthesizer provides a single chip solution for next generation P4 Intel processors and Intel chipsets. ICS954119 is driven with a 14.318MHz crystal.

### Block Diagram



### Power Busing

| VDD   | GND   | Description                   |
|-------|-------|-------------------------------|
| 6,56  | 1,5   | PCI pads and Prepad           |
| 10    | 13    | USB_48MHz, DOT_96MHz, Fix PLL |
| 19,34 | 20,29 | Differential PCIEX pair       |
| 28    | 25    | Differential SRC pair         |
| 35    | 36    | Analog Core, CPU PLL          |
| 41    | 38    | Differential CPU pair         |
| 46    | 49    | Xtal, Ref, CPU PLL Digital    |

## General I<sup>2</sup>C serial interface information for the ICS954119

### How to Write:

- Controller (host) sends a start bit.
- Controller (host) sends the write address D2<sub>(H)</sub>
- ICS clock will **acknowledge**
- Controller (host) sends the beginning byte location = N
- ICS clock will **acknowledge**
- Controller (host) sends the data byte count = X
- ICS clock will **acknowledge**
- Controller (host) starts sending **Byte N through Byte N + X - 1**  
(see Note 2)
- ICS clock will **acknowledge** each byte **one at a time**
- Controller (host) sends a Stop bit

| Index Block Write Operation     |           |                      |
|---------------------------------|-----------|----------------------|
| Controller (Host)               |           | ICS (Slave/Receiver) |
| T                               | starT bit |                      |
| Slave Address D2 <sub>(H)</sub> |           |                      |
| WR                              | WRite     |                      |
|                                 |           | ACK                  |
| Beginning Byte = N              |           |                      |
|                                 |           | ACK                  |
| Data Byte Count = X             |           |                      |
|                                 |           | ACK                  |
| Beginning Byte N                |           | X Byte               |
| ○                               |           |                      |
| ○                               |           |                      |
| ○                               |           |                      |
| Byte N + X - 1                  |           |                      |
|                                 |           | ACK                  |
| P                               | stoP bit  |                      |

### How to Read:

- Controller (host) will send start bit.
- Controller (host) sends the write address D2<sub>(H)</sub>
- ICS clock will **acknowledge**
- Controller (host) sends the beginning byte location = N
- ICS clock will **acknowledge**
- Controller (host) will send a separate start bit.
- Controller (host) sends the read address D3<sub>(H)</sub>
- ICS clock will **acknowledge**
- ICS clock will send the data byte count = X
- ICS clock sends **Byte N + X - 1**
- ICS clock sends **Byte 0 through byte X (if X<sub>(H)</sub> was written to byte 8)**.
- Controller (host) will need to acknowledge each byte
- Controller (host) will send a not acknowledge bit
- Controller (host) will send a stop bit

| Index Block Read Operation      |                 |                      |
|---------------------------------|-----------------|----------------------|
| Controller (Host)               |                 | ICS (Slave/Receiver) |
| T                               | starT bit       |                      |
| Slave Address D2 <sub>(H)</sub> |                 |                      |
| WR                              | WRite           |                      |
|                                 |                 | ACK                  |
| Beginning Byte = N              |                 |                      |
|                                 |                 | ACK                  |
| RT                              | Repeat starT    |                      |
| Slave Address D3 <sub>(H)</sub> |                 |                      |
| RD                              | ReaD            |                      |
|                                 |                 | ACK                  |
|                                 |                 | Data Byte Count = X  |
| ACK                             |                 |                      |
| ACK                             |                 | X Byte               |
|                                 |                 |                      |
| ○                               |                 |                      |
| ○                               |                 |                      |
| ○                               |                 |                      |
|                                 |                 | Byte N + X - 1       |
| N                               | Not acknowledge |                      |
| P                               | stoP bit        |                      |

**Table1: Frequency Selection Table**

| Bit4 | Bit3 | Bit2 | Bit1 | Bit0 | CPU    | PCIEX  | SRC    | PCI   | Spread          |
|------|------|------|------|------|--------|--------|--------|-------|-----------------|
|      |      | FSLC | FSLB | FSLA | MHz    | MHz    | MHz    | MHz   | %               |
| 0    | 0    | 0    | 0    | 0    | 266.66 | 100.00 | 100.00 | 33.33 | 0 to -0.5% Down |
| 0    | 0    | 0    | 0    | 1    | 133.33 | 100.00 | 100.00 | 33.33 | 0 to -0.5% Down |
| 0    | 0    | 0    | 1    | 0    | 200.00 | 100.00 | 100.00 | 33.33 | 0 to -0.5% Down |
| 0    | 0    | 0    | 1    | 1    | 166.66 | 100.00 | 100.00 | 33.33 | 0 to -0.5% Down |
| 0    | 0    | 1    | 0    | 0    | 333.33 | 100.00 | 100.00 | 33.33 | 0 to -0.5% Down |
| 0    | 0    | 1    | 0    | 1    | 100.00 | 100.00 | 100.00 | 33.33 | 0 to -0.5% Down |
| 0    | 0    | 1    | 1    | 0    | 400.00 | 100.00 | 100.00 | 33.33 | 0 to -0.5% Down |
| 0    | 0    | 1    | 1    | 1    | 200.00 | 100.00 | 100.00 | 33.33 | 0 to -0.5% Down |
| 0    | 1    | 0    | 0    | 0    | 266.66 | 133.33 | 133.33 | 33.33 | +/-0.25% Center |
| 0    | 1    | 0    | 0    | 1    | 133.33 | 133.33 | 133.33 | 33.33 | +/-0.25% Center |
| 0    | 1    | 0    | 1    | 0    | 200.00 | 133.33 | 133.33 | 33.33 | +/-0.25% Center |
| 0    | 1    | 0    | 1    | 1    | 166.66 | 125.00 | 125.00 | 33.33 | +/-0.25% Center |
| 0    | 1    | 1    | 0    | 0    | 333.33 | 125.00 | 125.00 | 33.33 | +/-0.25% Center |
| 0    | 1    | 1    | 0    | 1    | 100.00 | 133.33 | 133.33 | 33.33 | +/-0.25% Center |
| 0    | 1    | 1    | 1    | 0    | 400.00 | 133.33 | 133.33 | 33.33 | +/-0.25% Center |
| 0    | 1    | 1    | 1    | 1    | 200.00 | 133.33 | 133.33 | 33.33 | +/-0.25% Center |
| 1    | 0    | 0    | 0    | 0    | 269.33 | 101.00 | 101.00 | 33.67 | +/-0.3% Center  |
| 1    | 0    | 0    | 0    | 1    | 134.66 | 101.00 | 101.00 | 33.67 | +/-0.3% Center  |
| 1    | 0    | 0    | 1    | 0    | 202.00 | 101.00 | 101.00 | 33.67 | +/-0.3% Center  |
| 1    | 0    | 0    | 1    | 1    | 168.33 | 101.00 | 101.00 | 33.67 | +/-0.3% Center  |
| 1    | 0    | 1    | 0    | 0    | 274.66 | 103.00 | 103.00 | 34.33 | +/-0.3% Center  |
| 1    | 0    | 1    | 0    | 1    | 137.33 | 103.00 | 103.00 | 34.33 | +/-0.3% Center  |
| 1    | 0    | 1    | 1    | 0    | 206.00 | 103.00 | 103.00 | 34.33 | +/-0.3% Center  |
| 1    | 0    | 1    | 1    | 1    | 171.66 | 103.00 | 103.00 | 34.33 | +/-0.3% Center  |
| 1    | 1    | 0    | 0    | 0    | 279.99 | 105.00 | 105.00 | 35.00 | +/-0.3% Center  |
| 1    | 1    | 0    | 0    | 1    | 140.00 | 105.00 | 105.00 | 35.00 | +/-0.3% Center  |
| 1    | 1    | 0    | 1    | 0    | 210.00 | 105.00 | 105.00 | 35.00 | +/-0.3% Center  |
| 1    | 1    | 0    | 1    | 1    | 174.99 | 105.00 | 105.00 | 35.00 | +/-0.3% Center  |
| 1    | 1    | 1    | 0    | 0    | 287.99 | 108.00 | 108.00 | 36.00 | +/-0.3% Center  |
| 1    | 1    | 1    | 0    | 1    | 144.00 | 108.00 | 108.00 | 36.00 | +/-0.3% Center  |
| 1    | 1    | 1    | 1    | 0    | 216.00 | 108.00 | 108.00 | 36.00 | +/-0.3% Center  |
| 1    | 1    | 1    | 1    | 1    | 179.99 | 108.00 | 108.00 | 36.00 | +/-0.3% Center  |

**I<sup>2</sup>C Table: Frequency Select Register**

| Byte 0 |   | Pin # | Name      | Control Function         | Type | 0  | 1   | PWD |
|--------|---|-------|-----------|--------------------------|------|--|-----|-----|
| Bit 7  | - |       | FS Source | Frequency H/W IIC Select | RW   | Latch Inputs                                 | IIC | 0   |
| Bit 6  | - |       | SS_EN1    | PLL1 Spread Enable       | RW   | OFF  | ON  | 1   |
| Bit 5  | - |       | Reserved  | Reserved                 | RW   | -  | -   | 1   |
| Bit 4  | - |       | Bit4      | Freq Select Bit 4        | RW   | See Table 1: PLL 1 Frequency Selection Table |     |     |
| Bit 3  | - |       | Bit3      | Freq Select Bit 3        | RW   |  |     |     |
| Bit 2  | - |       | FSLC      | Freq Select Bit 2        | RW   |  |     |     |
| Bit 1  | - |       | FSLB      | Freq Select Bit 1        | RW   |  |     |     |
| Bit 0  | - |       | FSLA      | Freq Select Bit 0        | RW   |  |     |     |

**I<sup>2</sup>C Table: Output Control Register**

| Byte 1 |       | Pin # | Name         | Control Function             | Type | 0       | 1      | PWD |
|--------|-------|-------|--------------|------------------------------|------|---------|--------|-----|
| Bit 7  | 7     |       | PCICLK_F0    | Output Control               | RW   | Disable | Enable | 1   |
| Bit 6  | 14,15 |       | DOTT/C_96MHz | Output Control               | RW   | Disable | Enable | 1   |
| Bit 5  | 12    |       | USB_48MHz    | Output Control               | RW   | Disable | Enable | 1   |
| Bit 4  | 51    |       | REF0         | Output Control               | RW   | Disable | Enable | 1   |
| Bit 3  | 50    |       | REF1         | Output Control               | RW   | Disable | Enable | 1   |
| Bit 2  | 40,39 |       | CPUCLKT/C1   | Output Control               | RW   | Disable | Enable | 1   |
| Bit 1  | 43,42 |       | CPUCLKT/C0   | Output Control               | RW   | Disable | Enable | 1   |
| Bit 0  | -     |       | CPUCLK's     | PD Mode Output State Control | RW   | Driven  | Hi-Z   | 0   |

**I<sup>2</sup>C Table: Output Control Register**

| Byte 2 |    | Pin # | Name      | Control Function | Type | 0       | 1      | PWD |
|--------|----|-------|-----------|------------------|------|---------|--------|-----|
| Bit 7  | 4  |       | PCICLK5   | Output Control   | RW   | Disable | Enable | 1   |
| Bit 6  | 3  |       | PCICLK4   | Output Control   | RW   | Disable | Enable | 1   |
| Bit 5  | 2  |       | PCICLK3   | Output Control   | RW   | Disable | Enable | 1   |
| Bit 4  | 55 |       | PCICLK2   | Output Control   | RW   | Disable | Enable | 1   |
| Bit 3  | 54 |       | PCICLK1   | Output Control   | RW   | Disable | Enable | 1   |
| Bit 2  | 53 |       | PCICLK0   | Output Control   | RW   | Disable | Enable | 1   |
| Bit 1  | 9  |       | PCICLK_F2 | Output Control   | RW   | Disable | Enable | 1   |
| Bit 0  | 8  |       | PCICLK_F1 | Output Control   | RW   | Disable | Enable | 1   |

**I<sup>2</sup>C Table: Output Control Register**

| Byte 3 |       | Pin # | Name         | Control Function             | Type | 0       | 1      | PWD |
|--------|-------|-------|--------------|------------------------------|------|---------|--------|-----|
| Bit 7  | -     |       | PCIEXCLK's   | PD Mode Output State Control | RW   | Driven  | Hi-Z   | 0   |
| Bit 6  | -     |       | Reserved     | Reserved                     | RW   | -       | -      | 1   |
| Bit 5  | 33,32 |       | PCIEXCLKT/C4 | Output Control               | RW   | Disable | Enable | 1   |
| Bit 4  | 31,30 |       | PCIEXCLKT/C3 | Output Control               | RW   | Disable | Enable | 1   |
| Bit 3  | 27,26 |       | SRCCLKT/C    | Output Control               | RW   | Disable | Enable | 1   |
| Bit 2  | 24,23 |       | PCIEXCLKT/C2 | Output Control               | RW   | Disable | Enable | 1   |
| Bit 1  | 22,21 |       | PCIEXCLKT/C1 | Output Control               | RW   | Disable | Enable | 1   |
| Bit 0  | 18,17 |       | PCIEXCLKT/C0 | Output Control               | RW   | Disable | Enable | 1   |

**I<sup>2</sup>C Table: Output Control Register**

| Byte 4 |   | Pin # | Name              | Control Function                 | Type | 0            | 1         | PWD |
|--------|---|-------|-------------------|----------------------------------|------|--------------|-----------|-----|
| Bit 7  | - |       | PCI/SRC Stop EN   | Stop all PCI / PCIe / SRC clocks |      | Enable       | Disable   | 1   |
| Bit 6  | - |       | PCICLK_F2         | Stop Control                     | RW   | Free Running | Stoppable | 0   |
| Bit 5  | - |       | PCICLK_F1         | Stop Control                     | RW   | Free Running | Stoppable | 0   |
| Bit 4  | - |       | PCICLK_F0         | Stop Control                     | RW   | Free Running | Stoppable | 0   |
| Bit 3  | - |       | PCIEXCLKT/C (5:3) | Stop Control                     | RW   | Free Running | Stoppable | 1   |
| Bit 2  | - |       | SRCCLKT/C         | Stop Control                     | RW   | Free Running | Stoppable | 1   |
| Bit 1  | - |       | PCIEXCLKT/C (2:0) | Stop Control                     | RW   | Free Running | Stoppable | 1   |
| Bit 0  | - |       | Reserved          | Reserved                         | RW   | -            | -         | 1   |





I<sup>2</sup>C Table: Programmable Skew Control Register

| Byte 5 |   | Pin # | Name     | Control Function                  | Type | 0         |          | 1         |          | PWD |
|--------|---|-------|----------|-----------------------------------|------|-----------|----------|-----------|----------|-----|
| Bit 7  | - | -     | PCISkw3  | CPU-PCI 7 Steps Skew Control (ps) | RW   | 0000:0    | 0100:150 | 1000:300  | 1100:450 | 0   |
| Bit 6  | - | -     | PCISkw2  |                                   | RW   | 0001:N/A  | 0101:N/A | 1001:N/A  | 1101:600 | 0   |
| Bit 5  | - | -     | PCISkw1  |                                   | RW   | 0010:N/A  | 0110:N/A | 1010:N/A  | 1110:750 | 0   |
| Bit 4  | - | -     | PCISkw0  |                                   | RW   | 0011:N/A  | 0111:N/A | 1011:N/A  | 1111:900 | 0   |
| Bit 3  | - | -     | ASYNC1   | PCI Async Freq                    | RW   | 00 = PLL1 |          | 10 = 37.7 |          | 0   |
| Bit 2  | - | -     | ASYNC0   |                                   | RW   | 01 = 33.0 |          | 11 = 44.0 |          | 0   |
| Bit 1  | - | -     | REF0     | REF0 select                       | RW   | XTAL      |          | Fixed PLL |          | 0   |
| Bit 0  | - | -     | Reserved | Reserved                          | RW   | -         |          | -         |          | 0   |

I<sup>2</sup>C Table: Output Drive Control Register

| Byte 6 |   | Pin # | Name     | Control Function | Type | 0 |  | 1 |  | PWD |
|--------|---|-------|----------|------------------|------|---|--|---|--|-----|
| Bit 7  | - | -     | Reserved | Reserved         | RW   | - |  | - |  | 1   |
| Bit 6  | - | -     | Reserved |                  | RW   | - |  | - |  | 1   |
| Bit 5  | - | -     | Reserved | Reserved         | RW   | - |  | - |  | 1   |
| Bit 4  | - | -     | Reserved |                  | RW   | - |  | - |  | 1   |
| Bit 3  | - | -     | Reserved | Reserved         | RW   | - |  | - |  | 0   |
| Bit 2  | - | -     | Reserved |                  | RW   | - |  | - |  | 1   |
| Bit 1  | - | -     | Reserved | Reserved         | RW   | - |  | - |  | 0   |
| Bit 0  | - | -     | Reserved |                  | RW   | - |  | - |  | 1   |

I<sup>2</sup>C Table: Vendor ID Register

| Byte 7 |   | Pin # | Name     | Control Function | Type | 0         |  | 1 |  | PWD |
|--------|---|-------|----------|------------------|------|-----------|--|---|--|-----|
| Bit 7  | - | -     | Reserved | Reserved         | RW   | -         |  | - |  | 0   |
| Bit 6  | - | -     | Reserved | Reserved         | RW   | -         |  | - |  | 0   |
| Bit 5  | - | -     | Reserved | Reserved         | RW   | -         |  | - |  | 0   |
| Bit 4  | - | -     | Reserved | Reserved         | RW   | -         |  | - |  | 0   |
| Bit 3  | - | -     | VID3     | VENDOR ID        | R    | -         |  | - |  | 0   |
| Bit 2  | - | -     | VID2     |                  | R    | -         |  | - |  | 0   |
| Bit 1  | - | -     | VID1     |                  | R    | 001 = ICS |  | - |  | 0   |
| Bit 0  | - | -     | VID0     |                  | R    | -         |  | - |  | 1   |

I<sup>2</sup>C Table: Byte Count Register

| Byte 8 |   | Pin # | Name | Control Function              | Type | 0   |  | 1 |  | PWD |
|--------|---|-------|------|-------------------------------|------|---|--|---|--|-----|
| Bit 7  | - | -     | BC7  | Byte Count Programming b(7:0) | RW   | Writing to this register will configure how many bytes will be read back, default is 0F = 15 bytes. |  |   |  | 0   |
| Bit 6  | - | -     | BC6  |                               | RW   |   |  |   |  | 0   |
| Bit 5  | - | -     | BC5  |                               | RW   |   |  |   |  | 0   |
| Bit 4  | - | -     | BC4  |                               | RW   |   |  |   |  | 0   |
| Bit 3  | - | -     | BC3  |                               | RW   |   |  |   |  | 1   |
| Bit 2  | - | -     | BC2  |                               | RW   |   |  |   |  | 1   |
| Bit 1  | - | -     | BC1  |                               | RW   |   |  |   |  | 1   |
| Bit 0  | - | -     | BC0  |                               | RW   |   |  |   |  | 1   |

I<sup>2</sup>C Table: WD Time Control Register

| Byte 9 |   | Pin # | Name           | Control Function                | Type | 0   |  | 1             |  | PWD |  |   |
|--------|---|-------|----------------|---------------------------------|------|---|--|---------------|--|-----|--|---|
| Bit 7  | - | -     | WD_EN          | Watchdog Alarm Enable           | RW   | Disable   |  | Enable        |  | 0   |  |   |
| Bit 6  | - | -     | WD_SEL         | Watchdog Hard/Soft Alarm Select | RW   | Hard only   |  | Hard and Soft |  | 0   |  |   |
| Bit 5  | - | -     | WD Hard Status | WD Hard Alarm Status            | R    | Normal  |  | Alarm         |  | X   |  |   |
| Bit 4  | - | -     | WD Soft Status | WD Soft Alarm Status            | R    | Normal  |  | Alarm         |  | X   |  |   |
| Bit 3  | - | -     | WDTCtrl        | Watch Dog Time base Control     | RW   | 290ms Base  |  | 1160ms Base   |  | 0   |  |   |
| Bit 2  | - | -     | WD2            | WD Timer Bit 2                  | RW   | These bits represent X*290ms (or 1.16S) the watchdog timer waits before it goes to alarm mode. Default is 7 X 290ms = 2s. |  |               |  | 1   |  |   |
| Bit 1  | - | -     | WD1            | WD Timer Bit 1                  | RW   |   |  |               |  |     |  | 1 |
| Bit 0  | - | -     | WD0            | WD Timer Bit 0                  | RW   |   |  |               |  |     |  | 1 |

**I<sup>2</sup>C Table: M/N Programming & WD Safe Frequency Control Register**

| Byte 10 |   | Pin # | Name                | Control Function                     | Type | 0  | 1            | PWD |
|---------|---|-------|---------------------|--------------------------------------|------|--|--------------|-----|
| Bit 7   | - | -     | M/N_EN              | PLL1 M/N Programming Enable          | RW   | Disable  | Enable       | 0   |
| Bit 6   | - | -     | Reserved            | Reserved                             | RW   | -  | -            | 0   |
| Bit 5   | - | -     | WD Safe Freq Source | WD Safe Freq Source                  | RW   | B10b(4:0)  | Latch Inputs | 0   |
| Bit 4   | - | -     | WD SF4              | Watch Dog Safe Freq Programming bits | RW   | Writing to these bit will configure the safe frequency as Byte0 bit (4:0). |              | 0   |
| Bit 3   | - | -     | WD SF3              |                                      | RW   |  |              | 0   |
| Bit 2   | - | -     | WD SF2              |                                      | RW   |  |              | 0   |
| Bit 1   | - | -     | WD SF1              |                                      | RW   |  |              | 0   |
| Bit 0   | - | -     | WD SF0              |                                      | RW   |  |              | 0   |

**I<sup>2</sup>C Table: PLL1 Frequency Control Register**

| Byte 11 |   | Pin # | Name   | Control Function                | Type | 0   | 1 | PWD |
|---------|---|-------|--------|---------------------------------|------|---|---|-----|
| Bit 7   | - | -     | N Div8 | N Divider Prog bit 8            | RW   | The decimal representation of M and N Divider in Byte 11 and 12 will configure the PLL1 VCO frequency. Default at power up = latch-in or Byte 0 Rom table. VCO Frequency = 14.318 x [NDiv(9:0)+8] / [MDiv(5:0)+2] |   | X   |
| Bit 6   | - | -     | N Div9 | N Divider Prog bit 9            | RW   |   |   | X   |
| Bit 5   | - | -     | M Div5 | M Divider Programming bit (5:0) | RW   |   |   | X   |
| Bit 4   | - | -     | M Div4 |                                 | RW   |   |   | X   |
| Bit 3   | - | -     | M Div3 |                                 | RW   |   |   | X   |
| Bit 2   | - | -     | M Div2 |                                 | RW   |   |   | X   |
| Bit 1   | - | -     | M Div1 |                                 | RW   |   |   | X   |
| Bit 0   | - | -     | M Div0 | RW                              | X    |   |   |     |

**I<sup>2</sup>C Table: PLL1 Frequency Control Register**

| Byte 12 |   | Pin # | Name   | Control Function  | Type | 0   | 1 | PWD |
|---------|---|-------|--------|---|------|---|---|-----|
| Bit 7   | - | -     | N Div7 | N Divider Programming Byte12 bit(7:0) and Byte11 bit(7:6) | RW   | The decimal representation of M and N Divider in Byte 11 and 12 will configure the PLL1 VCO frequency. Default at power up = latch-in or Byte 0 Rom table. VCO Frequency = 14.318 x [NDiv(9:0)+8] / [MDiv(5:0)+2] |   | X   |
| Bit 6   | - | -     | N Div6 |   | RW   |   |   | X   |
| Bit 5   | - | -     | N Div5 |   | RW   |   |   | X   |
| Bit 4   | - | -     | N Div4 |   | RW   |   |   | X   |
| Bit 3   | - | -     | N Div3 |   | RW   |   |   | X   |
| Bit 2   | - | -     | N Div2 |   | RW   |   |   | X   |
| Bit 1   | - | -     | N Div1 |   | RW   |   |   | X   |
| Bit 0   | - | -     | N Div0 |   | RW   |   |   | X   |

**I<sup>2</sup>C Table: PLL1 Spread Spectrum Control Register**

| Byte 13 |   | Pin # | Name | Control Function                     | Type | 0   | 1 | PWD |
|---------|---|-------|------|--------------------------------------|------|---|---|-----|
| Bit 7   | - | -     | SSP7 | Spread Spectrum Programming bit(7:0) | RW   | These Spread Spectrum bits in Byte 13 and 14 will program the spread percentage of PLL1 |   | X   |
| Bit 6   | - | -     | SSP6 |                                      | RW   |   |   | X   |
| Bit 5   | - | -     | SSP5 |                                      | RW   |   |   | X   |
| Bit 4   | - | -     | SSP4 |                                      | RW   |   |   | X   |
| Bit 3   | - | -     | SSP3 |                                      | RW   |   |   | X   |
| Bit 2   | - | -     | SSP2 |                                      | RW   |   |   | X   |
| Bit 1   | - | -     | SSP1 |                                      | RW   |   |   | X   |
| Bit 0   | - | -     | SSP0 |                                      | RW   |   |   | X   |

**I<sup>2</sup>C Table: PLL1 Spread Spectrum Control Register**

| Byte 14 |   | Pin # | Name     | Control Function                      | Type | 0   | 1 | PWD |
|---------|---|-------|----------|---------------------------------------|------|---|---|-----|
| Bit 7   | - | -     | Reserved | Reserved                              | R    | -   | - | 0   |
| Bit 6   | - | -     | SSP14    | Spread Spectrum Programming bit(14:8) | RW   | These Spread Spectrum bits in Byte 13 and 14 will program the spread percentage of PLL1 |   | X   |
| Bit 5   | - | -     | SSP13    |                                       | RW   |   |   | X   |
| Bit 4   | - | -     | SSP12    |                                       | RW   |   |   | X   |
| Bit 3   | - | -     | SSP11    |                                       | RW   |   |   | X   |
| Bit 2   | - | -     | SSP10    |                                       | RW   |   |   | X   |
| Bit 1   | - | -     | SSP9     |                                       | RW   |   |   | X   |
| Bit 0   | - | -     | SSP8     |                                       | RW   |   |   | X   |

**I<sup>2</sup>C Table: Reserved Register**

| Byte 15 |   | Pin # | Name     | Control Function | Type | 0        |  | 1 |  | PWD |
|---------|---|-------|----------|------------------|------|----------|--|---|--|-----|
| Bit 7   | - | -     | Reserved | Reserved         | RW   | Reserved |  |   |  | X   |
| Bit 6   | - | -     | Reserved | Reserved         | RW   |          |  |   |  | X   |
| Bit 5   | - | -     | Reserved | Reserved         | RW   |          |  |   |  | X   |
| Bit 4   | - | -     | Reserved | Reserved         | RW   |          |  |   |  | X   |
| Bit 3   | - | -     | Reserved | Reserved         | RW   |          |  |   |  | X   |
| Bit 2   | - | -     | Reserved | Reserved         | RW   |          |  |   |  | X   |
| Bit 1   | - | -     | Reserved | Reserved         | RW   |          |  |   |  | X   |
| Bit 0   | - | -     | Reserved | Reserved         | RW   |          |  |   |  | X   |

**I<sup>2</sup>C Table: Reserved Register**

| Byte 16 |   | Pin # | Name     | Control Function | Type | 0        |  | 1 |  | PWD |
|---------|---|-------|----------|------------------|------|----------|--|---|--|-----|
| Bit 7   | - | -     | Reserved | Reserved         | RW   | Reserved |  |   |  | X   |
| Bit 6   | - | -     | Reserved |                  | RW   |          |  |   |  | X   |
| Bit 5   | - | -     | Reserved |                  | RW   |          |  |   |  | X   |
| Bit 4   | - | -     | Reserved |                  | RW   |          |  |   |  | X   |
| Bit 3   | - | -     | Reserved |                  | RW   |          |  |   |  | X   |
| Bit 2   | - | -     | Reserved |                  | RW   |          |  |   |  | X   |
| Bit 1   | - | -     | Reserved |                  | RW   |          |  |   |  | X   |
| Bit 0   | - | -     | Reserved |                  | RW   |          |  |   |  | X   |

**I<sup>2</sup>C Table: Reserved Register**

| Byte 17 |   | Pin # | Name     | Control Function | Type | 0        |  | 1 |  | PWD |
|---------|---|-------|----------|------------------|------|----------|--|---|--|-----|
| Bit 7   | - | -     | Reserved | Reserved         | RW   | Reserved |  |   |  | X   |
| Bit 6   | - | -     | Reserved |                  | RW   |          |  |   |  | X   |
| Bit 5   | - | -     | Reserved |                  | RW   |          |  |   |  | X   |
| Bit 4   | - | -     | Reserved |                  | RW   |          |  |   |  | X   |
| Bit 3   | - | -     | Reserved |                  | RW   |          |  |   |  | X   |
| Bit 2   | - | -     | Reserved |                  | RW   |          |  |   |  | X   |
| Bit 1   | - | -     | Reserved |                  | RW   |          |  |   |  | X   |
| Bit 0   | - | -     | Reserved |                  | RW   |          |  |   |  | X   |

**I<sup>2</sup>C Table: Reserved Register**

| Byte 18 |   | Pin # | Name     | Control Function | Type | 0        |  | 1 |  | PWD |
|---------|---|-------|----------|------------------|------|----------|--|---|--|-----|
| Bit 7   | - | -     | Reserved | Reserved         | RW   | Reserved |  |   |  | 0   |
| Bit 6   | - | -     | Reserved |                  | RW   |          |  |   |  | X   |
| Bit 5   | - | -     | Reserved |                  | RW   |          |  |   |  | X   |
| Bit 4   | - | -     | Reserved |                  | RW   |          |  |   |  | X   |
| Bit 3   | - | -     | Reserved |                  | RW   |          |  |   |  | X   |
| Bit 2   | - | -     | Reserved |                  | RW   |          |  |   |  | X   |
| Bit 1   | - | -     | Reserved |                  | RW   |          |  |   |  | X   |
| Bit 0   | - | -     | Reserved |                  | RW   |          |  |   |  | X   |

**I<sup>2</sup>C Table: Programmable Output Divider Register**

| Byte 19 |   | Pin # | Name      | Control Function                     | Type | 0       |          | 1        |          | PWD |
|---------|---|-------|-----------|--------------------------------------|------|---------|----------|----------|----------|-----|
| Bit 7   | - | -     | CPUDiv3   | CPU Divider Ratio Programming Bits   | RW   | 0000:/2 | 0100:/4  | 1000:/8  | 1100:/16 | X   |
| Bit 6   | - | -     | CPUDiv2   |                                      | RW   | 0001:/3 | 0101:/6  | 1001:/12 | 1101:/24 | X   |
| Bit 5   | - | -     | CPUDiv1   |                                      | RW   | 0010:/5 | 0110:/10 | 1010:/20 | 1110:/40 | X   |
| Bit 4   | - | -     | CPUDiv0   |                                      | RW   | 0011:/7 | 0111:/14 | 1011:/28 | 1111:/56 | X   |
| Bit 3   | - | -     | PCIEXDiv3 | PCIEX Divider Ratio Programming Bits | RW   | 0000:/2 | 0100:/4  | 1000:/8  | 1100:/16 | X   |
| Bit 2   | - | -     | PCIEXDiv2 |                                      | RW   | 0001:/3 | 0101:/6  | 1001:/12 | 1101:/24 | X   |
| Bit 1   | - | -     | PCIEXDiv1 |                                      | RW   | 0010:/5 | 0110:/10 | 1010:/20 | 1110:/40 | X   |
| Bit 0   | - | -     | PCIEXDiv0 |                                      | RW   | 0011:/7 | 0111:/14 | 1011:/28 | 1111:/56 | X   |



**I<sup>2</sup>C Table: Programmable Output Divider Register**

| Byte 20 | Pin # | Name     | Control Function                   | Type | 0        |          | 1        |           | PWD |
|---------|-------|----------|------------------------------------|------|----------|----------|----------|-----------|-----|
| Bit 7   | -     | PCIDiv3  | PCI Divider Ratio Programming Bits | RW   | 0000:/2  | 0100:/4  | 1000:/8  | 1100:/16  | X   |
| Bit 6   | -     | PCIDiv2  |                                    | RW   | 0001:/3  | 0101:/6  | 1001:/12 | 1101:/24  | X   |
| Bit 5   | -     | PCIDiv1  |                                    | RW   | 0010:/5  | 0110:/10 | 1010:/20 | 1110:/40  | X   |
| Bit 4   | -     | PCIDiv0  |                                    | RW   | 0011:/15 | 0111:/30 | 1011:/60 | 1111:/120 | X   |
| Bit 3   | -     | Reserved | Reserved                           | RW   | -        | -        | -        | -         | X   |
| Bit 2   | -     | Reserved |                                    | RW   | -        | -        | -        | -         | X   |
| Bit 1   | -     | Reserved |                                    | RW   | -        | -        | -        | -         | X   |
| Bit 0   | -     | Reserved |                                    | RW   | -        | -        | -        | -         | X   |

### Absolute Maximum Rating

| PARAMETER                       | SYMBOL   | CONDITIONS | MIN       | TYP | MAX                    | UNITS | Notes |
|---------------------------------|----------|------------|-----------|-----|------------------------|-------|-------|
| 3.3V Core Supply Voltage        | VDD_A    | -          |           |     | V <sub>DD</sub> + 0.5V | V     | 1     |
| 3.3V Logic Input Supply Voltage | VDD_In   | -          | GND - 0.5 |     | V <sub>DD</sub> + 0.5V | V     | 1     |
| Storage Temperature             | Ts       | -          | -65       |     | 150                    | °C    | 1     |
| Ambient Operating Temp          | Tambient | -          | 0         |     | 70                     | °C    | 1     |
| Case Temperature                | Tcase    | -          |           |     | 115                    | °C    | 1     |
| Input ESD protection HBM        | ESD prot | -          | 2000      |     |                        | V     | 1     |

<sup>1</sup>Guaranteed by design and characterization, not 100% tested in production.

### Electrical Characteristics - Input/Supply/Common Output Parameters

| PARAMETER                                  | SYMBOL               | CONDITIONS*   | MIN                   | TYP      | MAX                   | UNITS | Notes |
|--|----------------------|---|-----------------------|----------|-----------------------|-------|-------|
| Input High Voltage                         | V <sub>IH</sub>      | 3.3 V +/-5%   | 2                     |          | V <sub>DD</sub> + 0.3 | V     | 1     |
| Input Low Voltage                          | V <sub>IL</sub>      | 3.3 V +/-5%   | V <sub>SS</sub> - 0.3 |          | 0.8                   | V     | 1     |
| Input High Current                         | I <sub>IH</sub>      | V <sub>IN</sub> = V <sub>DD</sub>                                 | -5                    |          | 5                     | uA    | 1     |
| Input Low Current                          | I <sub>IL1</sub>     | V <sub>IN</sub> = 0 V; Inputs with no pull-up resistors           | -5                    |          |                       | uA    | 1     |
|  | I <sub>IL2</sub>     | V <sub>IN</sub> = 0 V; Inputs with pull-up resistors              | -200                  |          |                       | uA    | 1     |
| Low Threshold Input-High Voltage           | V <sub>IH_FSL</sub>  | 3.3 V +/-5%   | 0.7                   |          | V <sub>DD</sub> + 0.3 | V     | 1     |
| Low Threshold Input-Low Voltage            | V <sub>IL_FSL</sub>  | 3.3 V +/-5%   | V <sub>SS</sub> - 0.3 |          | 0.35                  | V     | 1     |
| Operating Supply Current                   | I <sub>DD3.3OP</sub> | Full Active, C <sub>L</sub> = Full load;                          |                       |          | 350                   | mA    | 1     |
| Operating Current                          | I <sub>DD3.3OP</sub> | all outputs driven  |                       |          | 400                   | mA    | 1     |
| Powerdown Current                          | I <sub>DD3.3PD</sub> | all diff pairs driven   |                       |          | 70                    | mA    | 1     |
|  |                      | all differential pairs tri-stated                                 |                       |          | 12                    | mA    | 1     |
| Input Frequency                            | F <sub>i</sub>       | V <sub>DD</sub> = 3.3 V   |                       | 14.31818 |                       | MHz   | 2     |
| Pin Inductance                             | L <sub>pin</sub>     |   |                       |          | 7                     | nH    | 1     |
| Input Capacitance                          | C <sub>IN</sub>      | Logic Inputs  |                       |          | 5                     | pF    | 1     |
|  | C <sub>OUT</sub>     | Output pin capacitance  |                       |          | 6                     | pF    | 1     |
|  | C <sub>INX</sub>     | X1 & X2 pins  |                       |          | 5                     | pF    | 1     |
| Clk Stabilization                          | T <sub>STAB</sub>    | From V <sub>DD</sub> Power-Up or de-assertion of PD# to 1st clock |                       |          | 1.8                   | ms    | 1     |
| Modulation Frequency                       |                      | Triangular Modulation   | 30                    |          | 33                    | kHz   | 1     |
| Tdrive_PD#                                 |                      | CPU output enable after PD# de-assertion                          |                       |          | 300                   | us    | 1     |
| Tfall_Pd#                                  |                      | PD# fall time of  |                       |          | 5                     | ns    | 1     |
| Trise_Pd#                                  |                      | PD# rise time of  |                       |          | 5                     | ns    | 1     |
| SMBus Voltage                              | V <sub>DD</sub>      |   | 2.7                   |          | 5.5                   | V     | 1     |
| Low-level Output Voltage                   | V <sub>OL</sub>      | @ I <sub>PULLUP</sub>   |                       |          | 0.4                   | V     | 1     |
| Current sinking at V <sub>OL</sub> = 0.4 V | I <sub>PULLUP</sub>  |   | 4                     |          |                       | mA    | 1     |
| SCLK/SDATA Clock/Data Rise Time            | T <sub>R12C</sub>    | (Max V <sub>IL</sub> - 0.15) to (Min V <sub>IH</sub> + 0.15)      |                       |          | 1000                  | ns    | 1     |
| SCLK/SDATA Clock/Data Fall Time            | T <sub>F12C</sub>    | (Min V <sub>IH</sub> + 0.15) to (Max V <sub>IL</sub> - 0.15)      |                       |          | 300                   | ns    | 1     |

\*TA = 0 - 70°C; Supply Voltage VDD = 3.3 V +/-5%

<sup>1</sup>Guaranteed by design and characterization, not 100% tested in production.

<sup>2</sup>Input frequency should be measured at the REF pin and tuned to ideal 14.31818MHz to meet ppm frequency accuracy on PLL outputs.

### Electrical Characteristics - CPUCLKT/C -- 0.7V Current Mode Differential Pair

| PARAMETER                       | SYMBOL               | CONDITIONS*  | MIN    | TYP | MAX     | UNITS    | NOTES |
|---------------------------------|----------------------|--|--------|-----|---------|----------|-------|
| Current Source Output Impedance | Zo                   | $V_O = V_x$  | 3000   |     |         | $\Omega$ | 1     |
| Voltage High                    | VHigh                | Statistical measurement on single ended signal           | 660    |     | 850     | mV       | 1,3   |
| Voltage Low                     | VLow                 |  | -150   |     | 150     | mV       | 1,3   |
| Max Voltage                     | Vovs                 | Measurement on single ended signal using absolute value. |        |     | 1150    | mV       | 1     |
| Min Voltage                     | Vuds                 |  | -300   |     |         | mV       | 1     |
| Crossing Voltage (abs)          | Vx(abs)              |  | 250    |     | 550     | mV       | 1     |
| Crossing Voltage (var)          | d-Vx                 | Variation of crossing over all edges                     |        |     | 140     | mV       | 1     |
| Long Accuracy                   | ppm                  | see Tperiod min-max values                               | -300   |     | 300     | ppm      | 1,2   |
| Average period                  | Tperiod              | 400MHz nominal   | 2.4993 |     | 2.5008  | ns       | 2     |
|                                 |                      | 400MHz spread  | 2.4993 |     | 2.5133  | ns       | 2     |
|                                 |                      | 333.33MHz nominal  | 2.9991 |     | 3.0009  | ns       | 2     |
|                                 |                      | 333.33MHz spread   | 2.9991 |     | 3.016   | ns       | 2     |
|                                 |                      | 266.66MHz nominal  | 3.7489 |     | 3.7511  | ns       | 2     |
|                                 |                      | 266.66MHz spread   | 3.7489 |     | 3.77    | ns       | 2     |
|                                 |                      | 200MHz nominal   | 4.9985 |     | 5.0015  | ns       | 2     |
|                                 |                      | 200MHz spread  | 4.9985 |     | 5.0266  | ns       | 2     |
|                                 |                      | 166.66MHz nominal  | 5.9982 |     | 6.0018  | ns       | 2     |
|                                 |                      | 166.66MHz spread   | 5.9982 |     | 6.0320  | ns       | 2     |
|                                 |                      | 133.33MHz nominal  | 7.4978 |     | 7.5023  | ns       | 2     |
|                                 |                      | 133.33MHz spread   | 7.4978 |     | 7.5400  | ns       | 2     |
|                                 |                      | 100.00MHz nominal  | 9.9970 |     | 10.0030 | ns       | 2     |
|                                 |                      | 100.00MHz spread   | 9.9970 |     | 10.0533 | ns       | 2     |
| Absolute min period             | T <sub>absmin</sub>  | 400MHz nominal/spread                                    | 2.4143 |     |         | ns       | 1,2   |
|                                 |                      | 333.33MHz nominal/spread                                 | 2.9141 |     |         | ns       | 1,2   |
|                                 |                      | 266.66MHz nominal/spread                                 | 3.6639 |     |         | ns       | 1,2   |
|                                 |                      | 200MHz nominal/spread                                    | 4.8735 |     |         | ns       | 1,2   |
|                                 |                      | 166.66MHz nominal/spread                                 | 5.8732 |     |         | ns       | 1,2   |
|                                 |                      | 133.33MHz nominal/spread                                 | 7.3728 |     |         | ns       | 1,2   |
|                                 |                      | 100.00MHz nominal/spread                                 | 9.8720 |     |         | ns       | 1,2   |
| Rise Time                       | t <sub>r</sub>       | $V_{OL} = 0.175V, V_{OH} = 0.525V$                       | 175    |     | 700     | ps       | 1     |
| Fall Time                       | t <sub>f</sub>       | $V_{OH} = 0.525V, V_{OL} = 0.175V$                       | 175    |     | 700     | ps       | 1     |
| Rise Time Variation             | d-t <sub>r</sub>     | $V_{OL} = 0.175V, V_{OH} = 0.525V$                       |        |     | 125     | ps       | 1     |
| Fall Time Variation             | d-t <sub>f</sub>     | $V_{OH} = 0.525V, V_{OL} = 0.175V$                       |        |     | 125     | ps       | 1     |
| Duty Cycle                      | d <sub>13</sub>      | Measurement from differential waveform                   | 45     |     | 55      | %        | 1     |
| Skew                            | t <sub>sk3</sub>     | CPU(1:0), V <sub>T</sub> = 50%                           |        |     | 100     | ps       | 1     |
| Skew                            | t <sub>sk4</sub>     | CPU(1:0) to CPU2_ITP, V <sub>T</sub> = 50%               |        |     | 150     | ps       | 1     |
| Jitter, Cycle to cycle          | t <sub>jyc-cyc</sub> | Measurement from differential waveform (CPU2_ITP)        |        |     | 125     | ps       | 1     |
| Jitter, Cycle to cycle          | t <sub>jyc-cyc</sub> | Measurement from differential waveform, (CPU(1:0))       |        |     | 85      | ps       | 1     |

\*T<sub>A</sub> = 0 - 70°C; V<sub>DD</sub> = 3.3 V +/-5%; C<sub>L</sub> = 2pF, R<sub>S</sub> = 33.2Ω, R<sub>P</sub> = 49.9Ω, I<sub>REF</sub> = 475Ω

<sup>1</sup>Guaranteed by design and characterization, not 100% tested in production.

<sup>2</sup>All Long Term Accuracy and Clock Period specifications are guaranteed assuming that REFOUT is at 14.31818MHz

<sup>3</sup>I<sub>REF</sub> = V<sub>DD</sub> / (3xR<sub>R</sub>). For R<sub>R</sub> = 475Ω (1%), I<sub>REF</sub> = 2.32mA. I<sub>OH</sub> = 6 x I<sub>REF</sub> and V<sub>OH</sub> = 0.7V @ Z<sub>O</sub> = 50Ω.

### Electrical Characteristics - SRC/SATA/PCIEX 0.7V Current Mode Differential Pair

| PARAMETER                       | SYMBOL               | CONDITIONS*  | MIN    | TYP | MAX     | UNITS | Notes |
|---------------------------------|----------------------|--|--------|-----|---------|-------|-------|
| Current Source Output Impedance | Z <sub>o</sub>       | V <sub>O</sub> = V <sub>x</sub>                          | 3000   |     |         | Ω     | 1     |
| Voltage High                    | V <sub>High</sub>    | Statistical measurement on single ended signal           | 660    |     | 850     | mV    | 1,3   |
| Voltage Low                     | V <sub>Low</sub>     |  | -150   |     | 150     | mV    | 1,3   |
| Max Voltage                     | V <sub>ovs</sub>     | Measurement on single ended signal using absolute value. |        |     | 1150    | mV    | 1     |
| Min Voltage                     | V <sub>uds</sub>     |  | -300   |     |         | mV    | 1     |
| Crossing Voltage (abs)          | V <sub>x(abs)</sub>  |  | 250    |     | 550     | mV    | 1     |
| Crossing Voltage (var)          | d-V <sub>x</sub>     | Variation of crossing over all edges                     |        |     | 140     | mV    | 1     |
| Long Accuracy                   | ppm                  | see Tperiod min-max values                               | -300   |     | 300     | ppm   | 1,2   |
| Average period                  | Tperiod              | 100.00MHz nominal  | 9.9970 |     | 10.0030 | ns    | 2     |
|                                 |                      | 100.00MHz spread   | 9.9970 |     | 10.0533 | ns    | 2     |
| Absolute min period             | T <sub>absmin</sub>  | 100.00MHz nominal/spread                                 | 9.8720 |     |         | ns    | 1,2   |
| Rise Time                       | t <sub>r</sub>       | V <sub>OL</sub> = 0.175V, V <sub>OH</sub> = 0.525V       | 175    |     | 700     | ps    | 1     |
| Fall Time                       | t <sub>f</sub>       | V <sub>OH</sub> = 0.525V V <sub>OL</sub> = 0.175V        | 175    |     | 700     | ps    | 1     |
| Rise Time Variation             | d-t <sub>r</sub>     | V <sub>OL</sub> = 0.175V, V <sub>OH</sub> = 0.525V       |        |     | 125     | ps    | 1     |
| Fall Time Variation             | d-t <sub>f</sub>     | V <sub>OH</sub> = 0.525V V <sub>OL</sub> = 0.175V        |        |     | 125     | ps    | 1     |
| Duty Cycle                      | d <sub>t3</sub>      | Measurement from differential waveform                   | 45     |     | 55      | %     | 1     |
| Skew                            | t <sub>sk3</sub>     | V <sub>T</sub> = 50%                                     |        |     | 250     | ps    | 1     |
| Jitter, Cycle to cycle          | t <sub>jcy-cyc</sub> | Measurement from differential waveform                   |        |     | 125     | ps    | 1     |

\*T<sub>A</sub> = 0 - 70°C; V<sub>DD</sub> = 3.3 V +/-5%; C<sub>L</sub> = 2pF, R<sub>S</sub> = 33.2Ω, R<sub>P</sub> = 49.9Ω, I<sub>REF</sub> = 475Ω

<sup>1</sup>Guaranteed by design and characterization, not 100% tested in production.

<sup>2</sup>All Long Term Accuracy and Clock Period specifications are guaranteed assuming that REFOUT is at 14.31818MHz

<sup>3</sup>I<sub>REF</sub> = V<sub>DD</sub>/(3xR<sub>R</sub>). For R<sub>R</sub> = 475Ω (1%), I<sub>REF</sub> = 2.32mA. I<sub>OH</sub> = 6 x I<sub>REF</sub> and V<sub>OH</sub> = 0.7V @ Z<sub>O</sub> = 50Ω.

### Electrical Characteristics - PCICLK/PCICLK\_F

| PARAMETER              | SYMBOL               | CONDITIONS*                                      | MIN | TYP | MAX  | UNITS | NOTES |
|------------------------|----------------------|--|-----|-----|------|-------|-------|
| Output Impedance       | R <sub>DSP</sub>     | V <sub>O</sub> = V <sub>DD</sub> *(0.5)          | 12  |     | 55   | Ω     | 1     |
| Output High Voltage    | V <sub>OH</sub>      | I <sub>OH</sub> = -1 mA                          | 2.4 |     |      | V     | 1     |
| Output Low Voltage     | V <sub>OL</sub>      | I <sub>OL</sub> = 1 mA                           |     |     | 0.55 | V     | 1     |
| Output High Current    | I <sub>OH</sub>      | V <sub>OH</sub> @MIN = 1.0 V                     | -33 |     |      | mA    | 1     |
|                        |                      | V <sub>OH</sub> @MAX = 3.135 V                   |     |     | -33  | mA    | 1     |
| Output Low Current     | I <sub>OL</sub>      | V <sub>OL</sub> @ MIN = 1.95 V                   | 30  |     |      | mA    | 1     |
|                        |                      | V <sub>OL</sub> @ MAX = 0.4 V                    |     |     | 38   | mA    | 1     |
| Edge Rate              | t <sub>slewf/f</sub> | Rising/Falling edge rate                         | 1   |     | 4    | V/ns  | 1     |
| Rise Time              | t <sub>r</sub>       | V <sub>OL</sub> = 0.4 V, V <sub>OH</sub> = 2.4 V | 0.5 |     | 2    | ns    | 1     |
| Fall Time              | t <sub>f</sub>       | V <sub>OH</sub> = 2.4 V, V <sub>OL</sub> = 0.4 V | 0.5 |     | 2    | ns    | 1     |
| Duty Cycle             | d <sub>t1</sub>      | V <sub>T</sub> = 1.5 V                           | 45  |     | 55   | %     | 1     |
| Group Skew             | t <sub>skew</sub>    | V <sub>T</sub> = 1.5 V                           |     |     | 500  | ps    | 1     |
| Jitter, Cycle to cycle | t <sub>jcy-cyc</sub> | V <sub>T</sub> = 1.5 V                           |     |     | 250  | ps    | 1     |

\*TA = 0 - 70°C; Supply Voltage VDD = 3.3 V +/-5%, CL = 20 pF with Rs = 7Ω (unless otherwise specified)

<sup>1</sup>Guaranteed by design and characterization, not 100% tested in production.

### Electrical Characteristics - 48MHz/USB48MHz/24 48MHz

| PARAMETER              | SYMBOL                   | CONDITIONS*                                      | MIN     | TYP | MAX     | UNITS | NOTES |
|------------------------|--------------------------|--|---------|-----|---------|-------|-------|
| Long Accuracy          | ppm                      | see Tperiod min-max values                       | -100    |     | 100     | ppm   | 1     |
| Clock period           | T <sub>period</sub>      | 48.00MHz output nominal                          | 20.8313 |     | 20.8354 | ns    |       |
| Output Impedance       | R <sub>DSP</sub>         | V <sub>O</sub> = V <sub>DD</sub> *(0.5)          | 12      |     | 55      | Ω     | 1     |
| Output High Voltage    | V <sub>OH</sub>          | I <sub>OH</sub> = -1 mA                          | 2.4     |     |         | V     | 1     |
| Output Low Voltage     | V <sub>OL</sub>          | I <sub>OL</sub> = 1 mA                           |         |     | 0.55    | V     | 1     |
| Output High Current    | I <sub>OH</sub>          | V <sub>OH</sub> @ MIN = 1.0 V                    | -33     |     |         | mA    | 1     |
|                        |                          | V <sub>OH</sub> @ MAX = 3.135 V                  |         |     | -33     | mA    | 1     |
| Output Low Current     | I <sub>OL</sub>          | V <sub>OL</sub> @ MIN = 1.95 V                   | 30      |     |         | mA    | 1     |
|                        |                          | V <sub>OL</sub> @ MAX = 0.4 V                    |         |     | 38      | mA    | 1     |
| Edge Rate              | t <sub>slewr/f</sub>     | Rising/Falling edge rate                         | 1       |     | 4       | V/ns  | 1     |
| Edge Rate              | t <sub>slewr/f_USB</sub> | USB48 Rising/Falling edge rate                   | 1       |     | 2       | V/ns  | 1     |
| Rise Time              | t <sub>r</sub>           | V <sub>OL</sub> = 0.4 V, V <sub>OH</sub> = 2.4 V | 0.5     |     | 2       | ns    | 1     |
| Fall Time              | t <sub>f</sub>           | V <sub>OH</sub> = 2.4 V, V <sub>OL</sub> = 0.4 V | 0.5     |     | 2       | ns    | 1     |
| Rise Time              | t <sub>r_USB</sub>       | V <sub>OL</sub> = 0.4 V, V <sub>OH</sub> = 2.4 V | 1       |     | 2       | ns    | 1     |
| Fall Time              | t <sub>f_USB</sub>       | V <sub>OH</sub> = 2.4 V, V <sub>OL</sub> = 0.4 V | 1       |     | 2       | ns    | 1     |
| Duty Cycle             | d <sub>t1</sub>          | V <sub>T</sub> = 1.5 V                           | 45      |     | 55      | %     | 1     |
| Jitter, Cycle to cycle | t <sub>jyc-cyc</sub>     | V <sub>T</sub> = 1.5 V                           |         |     | 500     | ps    | 1     |

\*TA = 0 - 70°C; Supply Voltage VDD = 3.3 V +/-5%, CL = 20 pF with Rs = 7Ω (Rs is used in USB48MHz test only)

<sup>1</sup>Guaranteed by design and characterization, not 100% tested in production.

### Electrical Characteristics - DOT\_96MHz 0.7V Current Mode Differential Pair

| PARAMETER                       | SYMBOL               | CONDITIONS*  | MIN     | TYP | MAX     | UNITS | Notes |
|---------------------------------|----------------------|--|---------|-----|---------|-------|-------|
| Current Source Output Impedance | Zo                   | V <sub>O</sub> = V <sub>x</sub>                          | 3000    |     |         | Ω     | 1     |
| Voltage High                    | VHigh                | Statistical measurement on single ended signal           | 660     |     | 850     | mV    | 1,3   |
| Voltage Low                     | VLow                 |  | -150    |     | 150     | mV    | 1,3   |
| Max Voltage                     | Vovs                 | Measurement on single ended signal using absolute value. |         |     | 1150    | mV    | 1     |
| Min Voltage                     | Vuds                 |  | -300    |     |         | mV    | 1     |
| Crossing Voltage (abs)          | Vx(abs)              |  | 250     |     | 550     | mV    | 1     |
| Crossing Voltage (var)          | d-Vcross             | Variation of crossing over all edges                     |         |     | 140     | mV    | 1     |
| Long Accuracy                   | ppm                  | see Tperiod min-max values                               | -100    |     | 100     | ppm   | 1,2   |
| Average period                  | Tperiod              | 96.00MHz nominal   | 10.4135 |     | 10.4198 | ns    | 2     |
| Absolute min period             | Tabmin               | 96.00MHz nominal   | 10.1635 |     |         | ns    | 1,2   |
| Rise Time                       | t <sub>r</sub>       | V <sub>OL</sub> = 0.175V, V <sub>OH</sub> = 0.525V       | 175     |     | 700     | ps    | 1     |
| Fall Time                       | t <sub>f</sub>       | V <sub>OH</sub> = 0.525V V <sub>OL</sub> = 0.175V        | 175     |     | 700     | ps    | 1     |
| Rise Time Variation             | d-t <sub>r</sub>     | V <sub>OL</sub> = 0.175V, V <sub>OH</sub> = 0.525V       |         |     | 125     | ps    | 1     |
| Fall Time Variation             | d-t <sub>f</sub>     | V <sub>OH</sub> = 0.525V V <sub>OL</sub> = 0.175V        |         |     | 125     | ps    | 1     |
| Duty Cycle                      | d <sub>i3</sub>      | Measurement from differential waveform                   | 45      |     | 55      | %     | 1     |
| Jitter, Cycle to cycle          | t <sub>jyc-cyc</sub> | Measurement from differential waveform                   |         |     | 250     | ps    | 1     |

\*TA = 0 - 70°C; V<sub>DD</sub> = 3.3 V +/-5%; C<sub>L</sub> = 2pF, R<sub>S</sub> = 33.2Ω, R<sub>P</sub> = 49.9Ω, I<sub>REF</sub> = 475Ω

<sup>1</sup>Guaranteed by design and characterization, not 100% tested in production.

<sup>2</sup>All Long Term Accuracy and Clock Period specifications are guaranteed assuming that REFOUT is at 14.31818MHz

<sup>3</sup>I<sub>REF</sub> = V<sub>DD</sub>/(3xR<sub>R</sub>). For R<sub>R</sub> = 475Ω (1%), I<sub>REF</sub> = 2.32mA. I<sub>OH</sub> = 6 x I<sub>REF</sub> and V<sub>OH</sub> = 0.7V @ Z<sub>O</sub> = 50Ω.



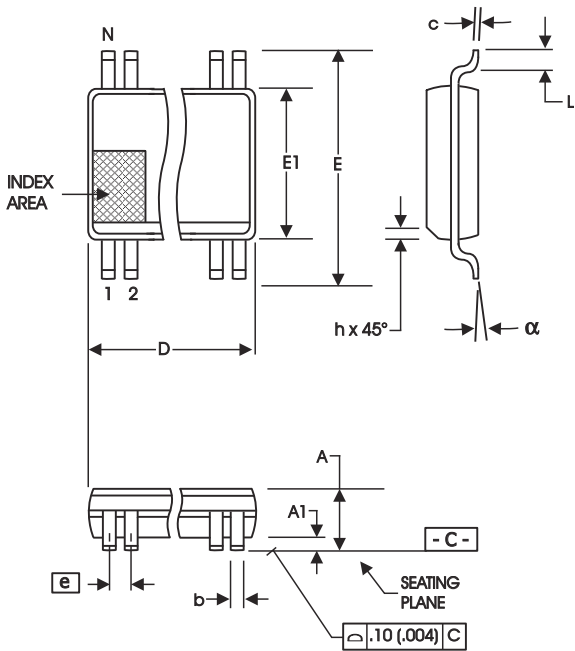
### Electrical Characteristics - REF-14.318MHz

| PARAMETER           | SYMBOL                | CONDITIONS  | MIN     | TYP | MAX     | UNITS | Notes |
|---------------------|-----------------------|---|---------|-----|---------|-------|-------|
| Long Accuracy       | ppm                   | see T <sub>period</sub> min-max values                          | -300    |     | 300     | ppm   | 1,2   |
| Clock period        | T <sub>period</sub>   | 14.318MHz output nominal  | 69.8270 |     | 69.8550 | ns    | 2     |
| Output High Voltage | V <sub>OH</sub>       | I <sub>OH</sub> = -1 mA   | 2.4     |     |         | V     | 1     |
| Output Low Voltage  | V <sub>OL</sub>       | I <sub>OL</sub> = 1 mA  |         |     | 0.4     | V     | 1     |
| Output High Current | I <sub>OH</sub>       | V <sub>OH</sub> @MIN = 1.0 V,<br>V <sub>OH</sub> @MAX = 3.135 V | -29     |     | -23     | mA    | 1     |
| Output Low Current  | I <sub>OL</sub>       | V <sub>OL</sub> @MIN = 1.95 V,<br>V <sub>OL</sub> @MAX = 0.4 V  | 29      |     | 27      | mA    | 1     |
| Edge Rate           | t <sub>slewr/f</sub>  | Rising/Falling edge rate  | 1       |     | 4       | V/ns  | 1     |
| Rise Time           | t <sub>r1</sub>       | V <sub>OL</sub> = 0.4 V, V <sub>OH</sub> = 2.4 V                | 1       |     | 2       | ns    | 1     |
| Fall Time           | t <sub>f1</sub>       | V <sub>OH</sub> = 2.4 V, V <sub>OL</sub> = 0.4 V                | 1       |     | 2       | ns    | 1     |
| Duty Cycle          | d <sub>t1</sub>       | V <sub>T</sub> = 1.5 V  | 45      |     | 55      | %     | 1     |
| Jitter              | t <sub>jcyc-cyc</sub> | V <sub>T</sub> = 1.5 V  |         |     | 1000    | ps    | 1     |

\*TA = 0 - 70°C; Supply Voltage VDD = 3.3 V +/-5%; CL = 20 pF with R<sub>s</sub> = 7Ω (R<sub>s</sub> is used in USB48MHz test only)

<sup>1</sup>Guaranteed by design and characterization, not 100% tested in production.

<sup>2</sup>All Long Term Accuracy and Clock Period specifications are guaranteed assuming that REFOUT is at 14.31818MHz



**56-Lead, 300 mil Body, 25 mil, SSOP**

| SYMBOL | In Millimeters    |       | In Inches         |       |
|--------|-------------------|-------|-------------------|-------|
|        | COMMON DIMENSIONS |       | COMMON DIMENSIONS |       |
|        | MIN               | MAX   | MIN               | MAX   |
| A      | 2.41              | 2.80  | .095              | .110  |
| A1     | 0.20              | 0.40  | .008              | .016  |
| b      | 0.20              | 0.34  | .008              | .0135 |
| c      | 0.13              | 0.25  | .005              | .010  |
| D      | SEE VARIATIONS    |       | SEE VARIATIONS    |       |
| E      | 10.03             | 10.68 | .395              | .420  |
| E1     | 7.40              | 7.60  | .291              | .299  |
| e      | 0.635 BASIC       |       | 0.025 BASIC       |       |
| h      | 0.38              | 0.64  | .015              | .025  |
| L      | 0.50              | 1.02  | .020              | .040  |
| N      | SEE VARIATIONS    |       | SEE VARIATIONS    |       |
| a      | 0°                | 8°    | 0°                | 8°    |

**VARIATIONS**

| N  | D mm. |       | D (inch) |      |
|----|-------|-------|----------|------|
|    | MIN   | MAX   | MIN      | MAX  |
| 56 | 18.31 | 18.55 | .720     | .730 |

Reference Doc.: JEDEC Publication 95, MO-118

10-0034

**Ordering Information**

**ICS954119yFLF-T**

Example:

**ICS XXXX y F LF-T**

