



Chipsmall Limited consists of a professional team with an average of over 10 year of expertise in the distribution of electronic components. Based in Hongkong, we have already established firm and mutual-benefit business relationships with customers from,Europe,America and south Asia,supplying obsolete and hard-to-find components to meet their specific needs.

With the principle of “Quality Parts,Customers Priority,Honest Operation,and Considerate Service”,our business mainly focus on the distribution of electronic components. Line cards we deal with include Microchip,ALPS,ROHM,Xilinx,Pulse,ON,Everlight and Freescale. Main products comprise IC,Modules,Potentiometer,IC Socket,Relay,Connector.Our parts cover such applications as commercial,industrial, and automotives areas.

We are looking forward to setting up business relationship with you and hope to provide you with the best service and solution. Let us make a better world for our industry!



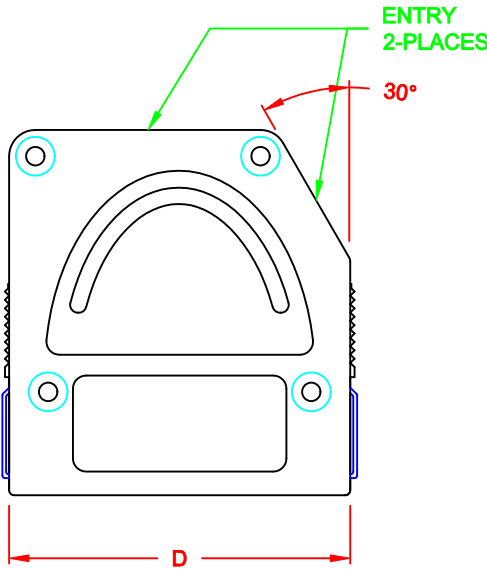
Contact us

Tel: +86-755-8981 8866 Fax: +86-755-8427 6832

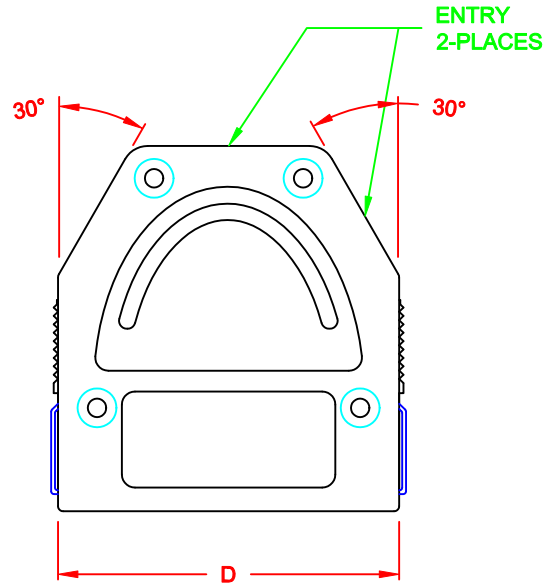
Email & Skype: info@chipsmall.com Web: www.chipsmall.com

Address: A1208, Overseas Decoration Building, #122 Zhenhua RD., Futian, Shenzhen, China

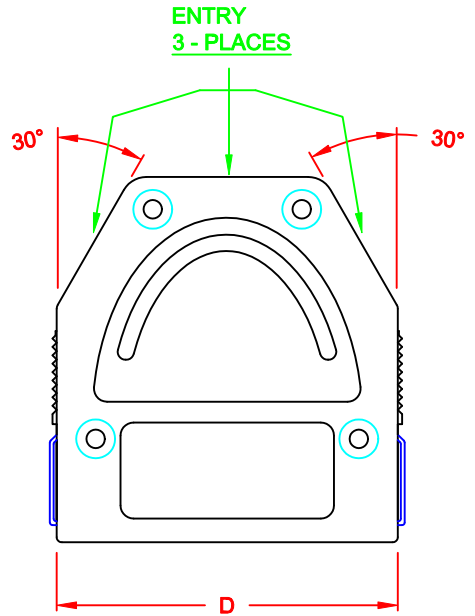




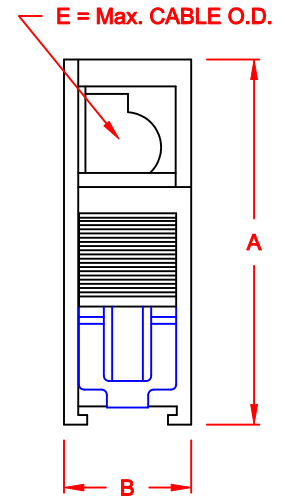
9 & 15 POSITION



25 POSITION



37 POSITION

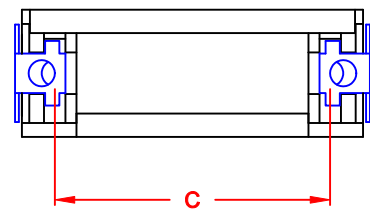


SPECIFICATION:

MATERIAL
BLACK PLASTIC: ABS PLASTIC, SICOFLEX, UL 94 V-0
METALIZED PLASTIC: NICKEL OVER COPPER PLATING
TEMP RATING: -55°C to +125°C

BACKSHELL KIT INCLUDES:

- (2) BACKSHELL HALVES
- (4) MOUNTING SCREWS
- (1) STRAIN RELIEF CLAMP
- (2) STRAIN RELIEF SCREWS



955-YYY-YYYRYY1

SERIES _____
POSITIONS _____
 009
 015
 025
 037
MATERIAL _____
 010 = PLASTIC
 020 = METALIZED PLASTIC
RoHS COMPLIANT _____
 R = HIGH TEMP. PROCESS
COLOR _____
 01 = BLACK
 12 = METAL(IZED)
PUT-UP _____
 1 = KIT

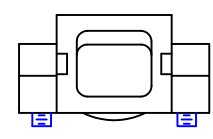
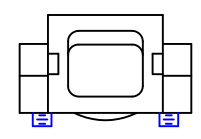
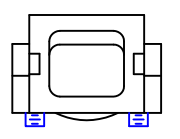
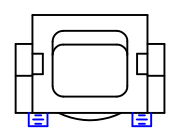
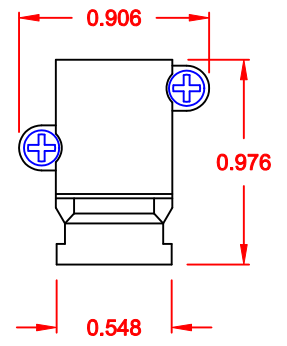
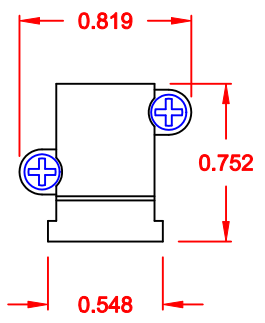
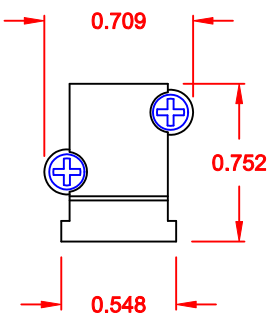
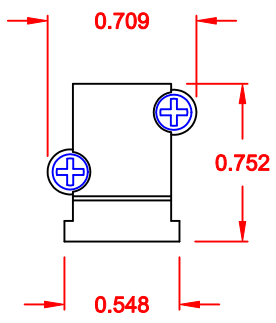
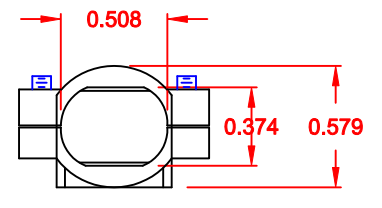
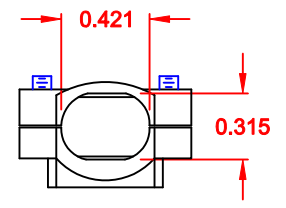
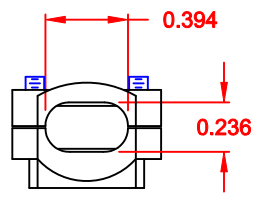
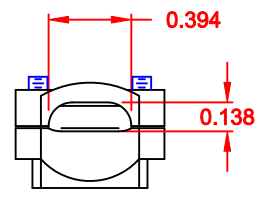
DIMENSIONS (IN.)					
No. OF PINS	A	B	C	D	E
09	1.740	0.606	0.984	1.299	0.354
15	1.740	0.606	1.312	1.626	0.394
25	1.740	0.606	1.852	2.165	0.433
37	1.740	0.606	2.500	2.815	0.433

DO NOT SCALE FROM DRAWING

	THESE DRAWINGS AND SPECIFICATIONS ARE THE PROPERTY OF NorComp AND SHALL NOT BE REPRODUCED, COPIED OR USED AS THE BASIS FOR THE MANUFACTURE OF SALE OF APPARATUS WITHOUT WRITTEN PERMISSION.		DRAWN: C. SMITH	DATE: 04-10-07
			CHECKED:	DATE:
NorComp	SCALE: 1:1	SHEET 1	OF 2	REV 3
	DWG NO. 955-YYY-YYYRYY1			

RoHS COMPLIANT

CABLE CLAMPS ORDERED SEPARATELY



P/N 955-09-SR-4-7
CABLE RANGE = 0.157 - 0.276

P/N 955-15-SR-7-10
CABLE RANGE = 0.276 - 0.394

P/N 955-25-SR-9-12
CABLE RANGE = 0.354 - 0.472

P/N 955-37-SR-11-14
CABLE RANGE = 0.433 - 0.551

DO NOT SCALE FROM DRAWING

	THESE DRAWINGS AND SPECIFICATIONS ARE THE PROPERTY OF NorComp AND SHALL NOT BE REPRODUCED, COPIED OR USED AS THE BASIS FOR THE MANUFACTURE OF SALE OF APPARATUS WITHOUT WRITTEN PERMISSION.		DRAWN: C. SMITH	DATE: 04-10-07
			CHECKED:	DATE:
<h1 style="margin: 0;">NorComp</h1>	SCALE: 1 : 1	SHEET 2 OF 2	REV 3	
	DWG NO. 955-YYY-YYYRYY1			

RoHS COMPLIANT