



Chipsmall Limited consists of a professional team with an average of over 10 year of expertise in the distribution of electronic components. Based in Hongkong, we have already established firm and mutual-benefit business relationships with customers from,Europe,America and south Asia,supplying obsolete and hard-to-find components to meet their specific needs.

With the principle of “Quality Parts,Customers Priority,Honest Operation,and Considerate Service”,our business mainly focus on the distribution of electronic components. Line cards we deal with include Microchip,ALPS,ROHM,Xilinx,Pulse,ON,Everlight and Freescale. Main products comprise IC,Modules,Potentiometer,IC Socket,Relay,Connector.Our parts cover such applications as commercial,industrial, and automotives areas.

We are looking forward to setting up business relationship with you and hope to provide you with the best service and solution. Let us make a better world for our industry!



Contact us

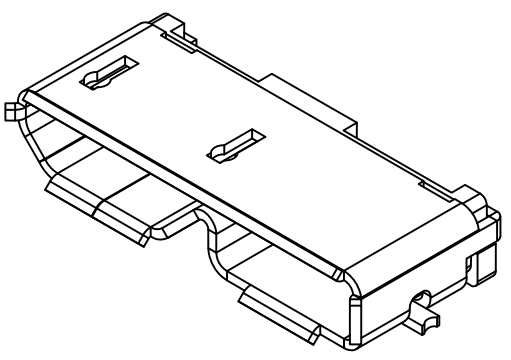
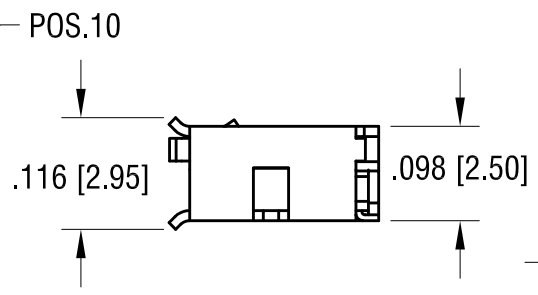
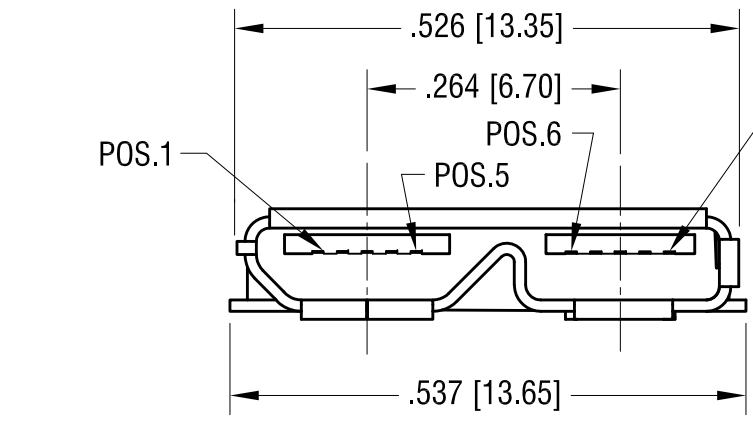
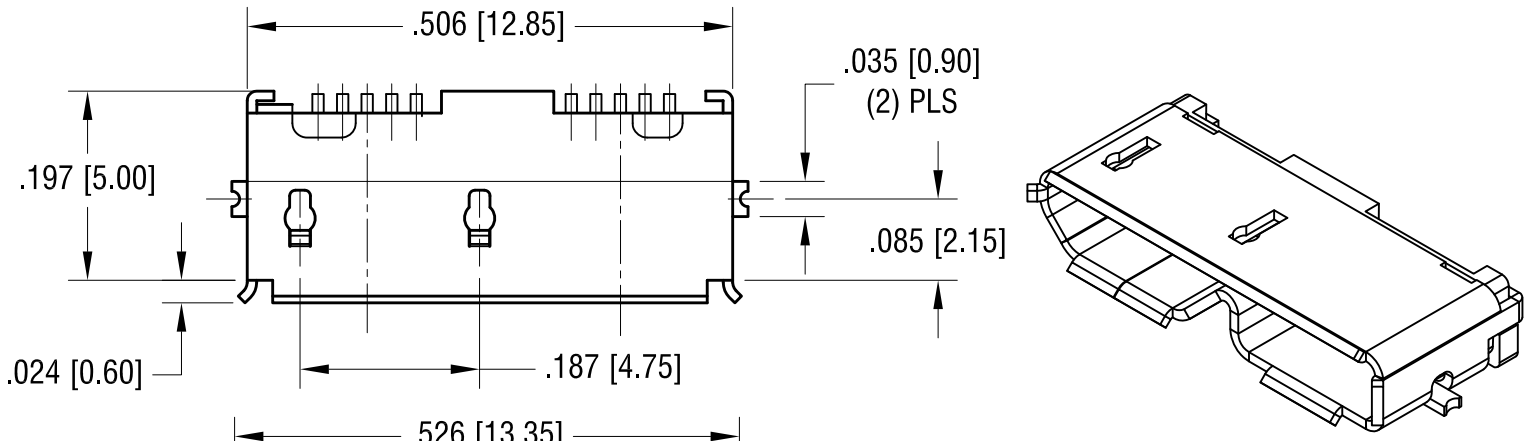
Tel: +86-755-8981 8866 Fax: +86-755-8427 6832

Email & Skype: info@chipsmall.com Web: www.chipsmall.com

Address: A1208, Overseas Decoration Building, #122 Zhenhua RD., Futian, Shenzhen, China

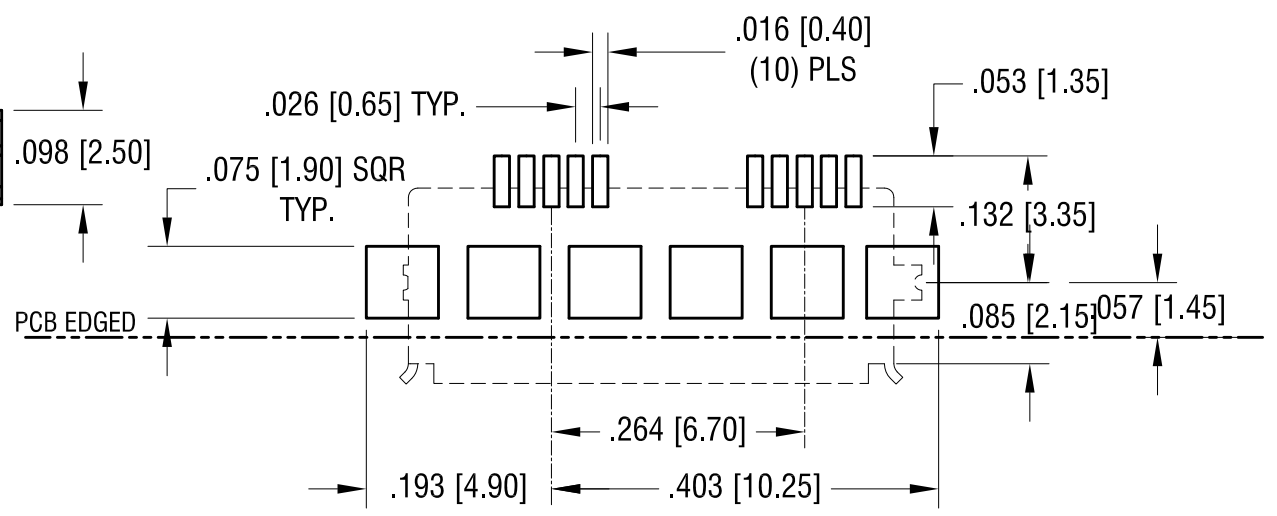


DATE	DESCRIPTION	REV.



PCB LAYOUT

TOLERANCE ±.002 [±0.05]



PLUG SPECIFICATIONS:

- SHELL: MAT'L- STEEL
- FINISH- NICKEL PLATE
- CONTACT: MAT'L- PHOSPHOR BRONZE
- FINISH- GOLD FLASH OVER NICKEL
- INSULATION: MAT'L- THERMOPLASTIC, UL 94V-0

ELECTRICAL CHARACTERISTICS:

- RATED VOLTAGE: 30V (RMS)
- CONTACT CURRENT RATING: 1 Amp DC MAX.
- CONTACT RESISTANCE: 15m Ω min.
- DIELECTRIC WITHSTANDING VOLTAGE: 750V AC FOR 1 MINUTE

MECHANICAL CHARACTERISTICS:

- OPERATING TEMPERATURE: -13°F (-25°C) TO 176°F (+80°C)
- DURABILITY: 1500 CYCLES MIN.

THIS DOCUMENT IS THE PROPERTY OF KEYSTONE ELECTRONICS CORP. AND SHALL NOT BE REPRODUCED, DISTRIBUTED OR USED AS A BASIS FOR MANUFACTURE WITHOUT PRIOR WRITTEN PERMISSION FROM KEYSTONE ELECTRONICS CORP.

KEYSTONE ELECTRONICS CORP.			
www.keyelco.com • ASTORIA, N.Y. 11105-2017 • Tel (718) 956-8900			
PART NAME			
USB 3.0 MICRO RECEPTACLE			
MATERIAL			
AS NOTED			
FINISH		DRN BY	DATE
AS NOTED		NT	4.20.10
		APPD	SCALE
		LN	4X
TOLERANCES	INCH [MM]	CODE	DWG NO.
DECIMAL	±.004 [±0.10]	C/M	955
ANGULAR	± 1°		
UNLESS OTHERWISE SPECIFIED			