



Chipsmall Limited consists of a professional team with an average of over 10 year of expertise in the distribution of electronic components. Based in Hongkong, we have already established firm and mutual-benefit business relationships with customers from,Europe,America and south Asia,supplying obsolete and hard-to-find components to meet their specific needs.

With the principle of “Quality Parts,Customers Priority,Honest Operation,and Considerate Service”,our business mainly focus on the distribution of electronic components. Line cards we deal with include Microchip,ALPS,ROHM,Xilinx,Pulse,ON,Everlight and Freescale. Main products comprise IC,Modules,Potentiometer,IC Socket,Relay,Connector.Our parts cover such applications as commercial,industrial, and automotives areas.

We are looking forward to setting up business relationship with you and hope to provide you with the best service and solution. Let us make a better world for our industry!



Contact us

Tel: +86-755-8981 8866 Fax: +86-755-8427 6832

Email & Skype: info@chipsmall.com Web: www.chipsmall.com

Address: A1208, Overseas Decoration Building, #122 Zhenhua RD., Futian, Shenzhen, China

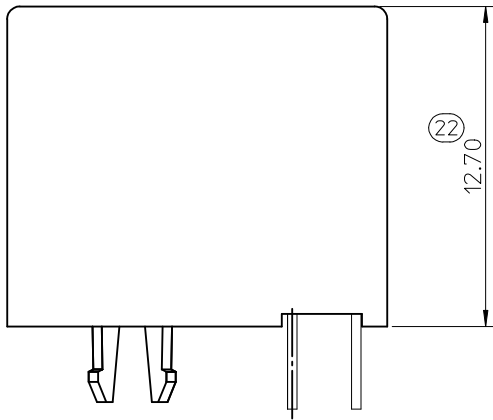


NOTES :

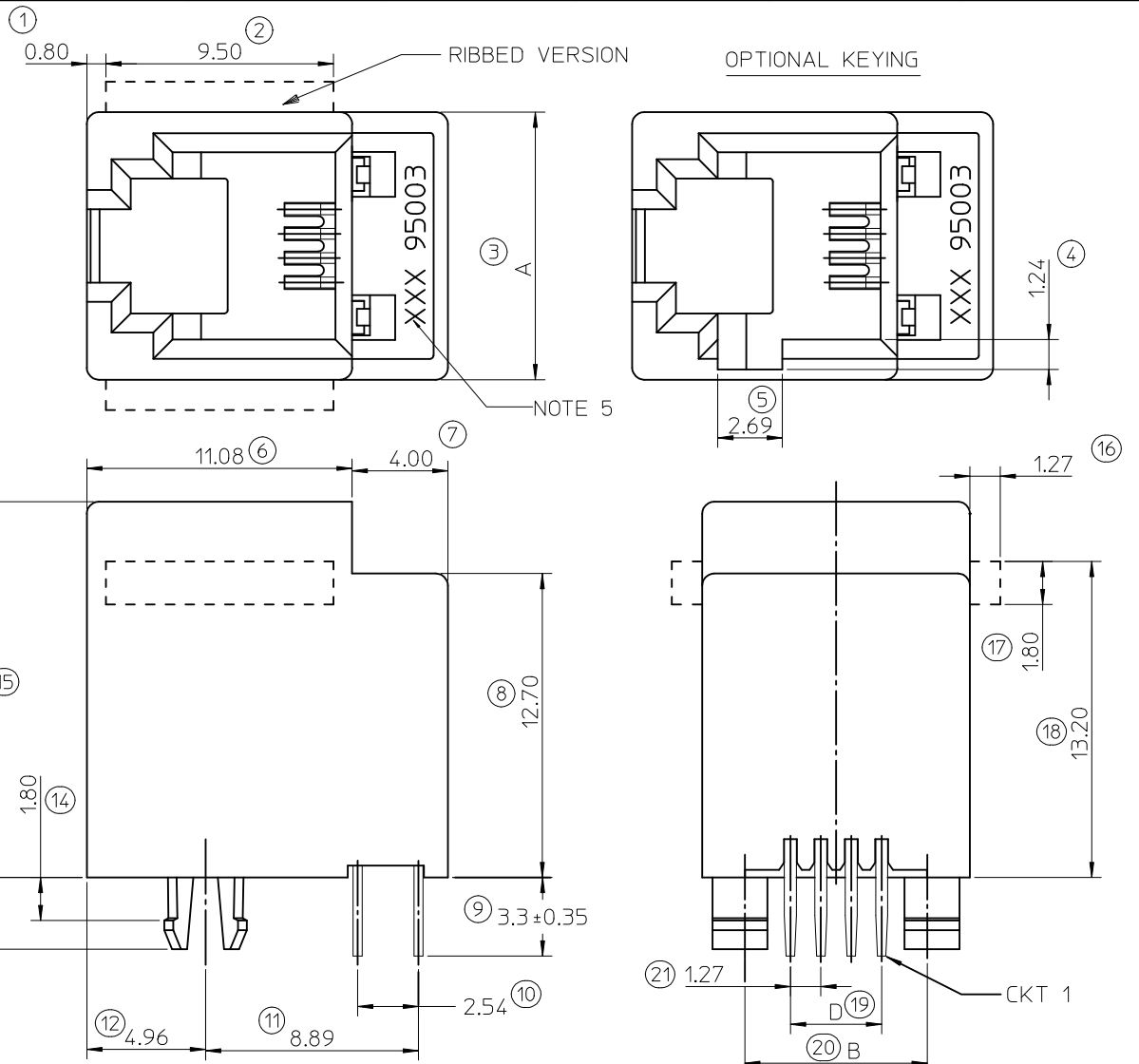
1- MATERIAL:

- HOUSING: LCP FIBER GLASS FILLED UL 94-V0
COLOR BLACK.
 - TERMINAL: COPPER ALLOY
 - BASE FINISH: NICKEL
 - CONTACT SURFACE FINISH
GOLD
OR
GOLD FLASH OVER PALLADIUM NICKEL
EXCEEDS PRODUCT REQUIREMENTS BASED ON PS-95503-001
 - 2- JACK FOR MATING WITH F.C.C. 68 PLUGS
90075 MOLEX SERIES.**
 - 3. P.C.B. THICKNESS: 1.57**
 - 4- PRODUCT SPECIFICATION PS-95503-001**
 - 5- PACKAGING SPECIFICATION:**
 - STANDARD PACKAGING PK-95003 SHEET 1.
 - TUBE PACKAGING FOR SMT VERSION PK-95003 SHEET 2.
 - TUBE PACKAGING FOR THROUGH HOLE VERSION
PK-95003 SHEET 3.
 - TAPE AND REEL PACKAGING FOR THROUGH HOLE PK-95503-001.
 - 6- MANUFACTURING I.D. CAN BE MXF, MG OR MXI.**
- INSPECTION NUMBERS USED: 1 - 50
LAST INSPECTION NUMBER: 22

TYPE \ DIM.	POS. 4	POS. 6		POS. 8
	4 CKTS.	4 CKTS.	6 CKTS.	8 CKTS.
A	11.18	13.21	13.21	15.24
B	7.62	10.16	10.16	11.43
D	3.81	3.81	6.35	8.89



SHORT VERSION



MODIFIED PLATING OPTION EC NO: IPG2012-0589 DRW: DBYRNES 2012/03/29 CHKD: MSHAHAN 2012/03/30 APPR: EFOLAN 2012/06/28	QUALITY SYMBOLS ▽=0 ◻=0	GENERAL TOLERANCES (UNLESS SPECIFIED) mm INCH 4 PLACES ± --- ± --- 3 PLACES ± --- ± --- 2 PLACES ± 0.15 ± --- 1 PLACE ± 0.25 ± --- ANGULAR ± .5 °	DIMENSION STYLE MM ONLY DRAWN BY: TMARTIN DATE: 2005/06/15 CHECKED BY: FCARABETTA DATE: 2005/06/15 APPROVED BY: KNOLLER DATE: 2005/06/15	SCALE: 5:1 DESIGN UNITS: METRIC THIRD ANGLE PROJECTION	TITLE: LOW PROFILE TOP ENTRY JACK (THROUGH HOLE VERSION) MOLEX INCORPORATED	
	DRAFT WHERE APPLICABLE MUST REMAIN WITHIN DIMENSIONS	MATERIAL NO.: SEE SHT 4,5 SIZE: A3	DOCUMENT NO.: SD-95503-003 SHEET NO.: 1 OF 5	THIS DRAWING CONTAINS INFORMATION THAT IS PROPRIETARY TO MOLEX INCORPORATED AND SHOULD NOT BE USED WITHOUT WRITTEN PERMISSION		

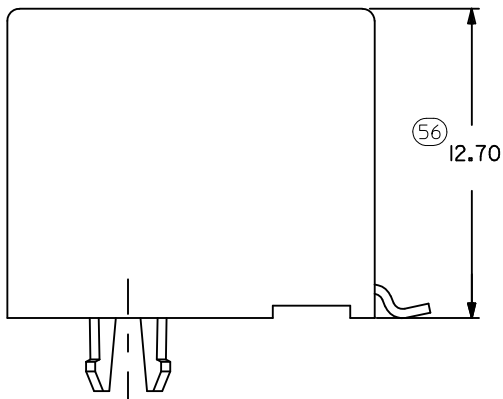
10 9 8 7 6 5 4 3 2 1

NOTES :

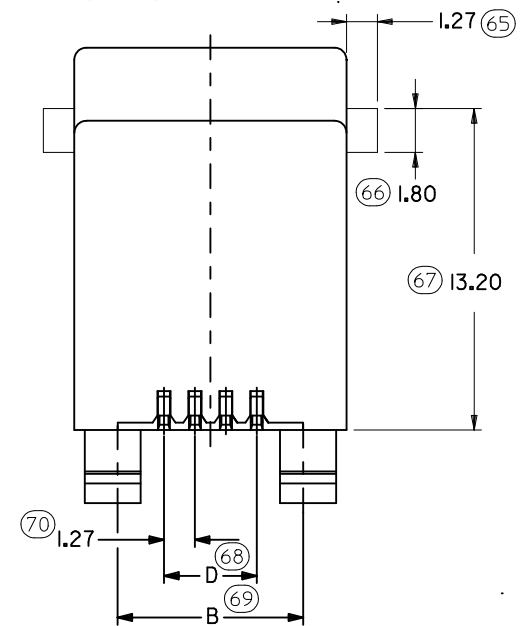
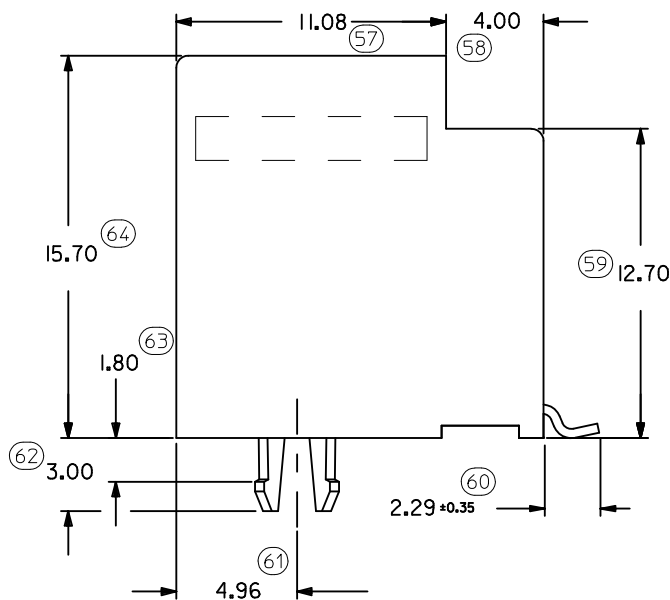
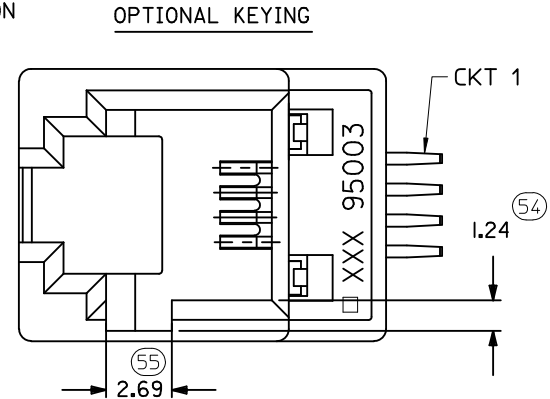
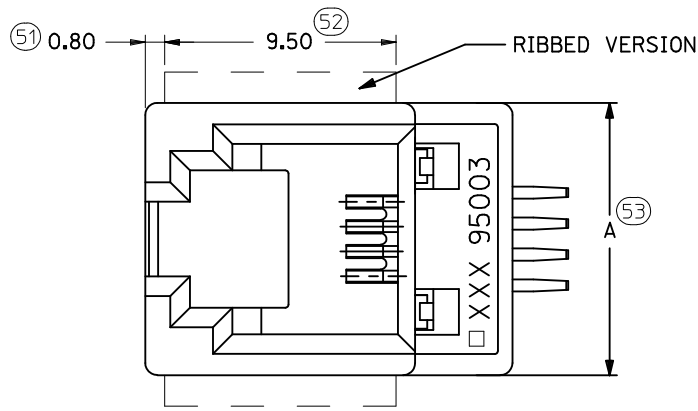
1- MATERIAL:

- HOUSING: LCP FIBER GLASS FILLED UL 94-V0
COLOR BLACK
- 2-APPLICATION SPECIFICATION: AS-85513-001 (SMT)
- 3- SEE OTHER NOTES SHEET 1.
- 4- COPLANARITY OF SIGNAL TAILS 0.1mm MAX
RELEVANT TO EACH OTHER.

INSPECTION NUMBERS USED: 51 - 100
LAST INSPECTION NUMBER: 70



SHORT VERSION



TYPE	POS. 4		POS. 6		POS. 8
	4 CKTS.	4 CKTS.	6 CKTS.	8 CKTS.	8 CKTS.
A	11.18	13.21	13.21	15.24	
B	7.62	10.16	10.16	11.43	
D	3.81	3.81	6.35	8.89	

REMOVED INCHES
EC NO: E2012-0079
DRAWN: JOCNNOR 2011/03/04
CHKD:
APPR: EFOLAN 2011/09/28

QUALITY SYMBOLS
 = 0.05
 = 0.1

	GENERAL TOLERANCES (UNLESS SPECIFIED)	
	mm	INCH
4 PLACES	± ---	± ---
3 PLACES	± ---	± ---
2 PLACES	± 0.15	± ---
1 PLACE	± 0.25	± ---
ANGULAR ± .5 °		

DIMENSION STYLE		SCALE		DESIGN UNITS		THIRD ANGLE PROJECTION	
MM ONLY		5:1		METRIC			
DRAWN BY	DATE	TITLE					
TMARTIN	2005/06/19	LOW PROFILE T/E JACK (SMT VERSION)					
CHECKED BY	DATE						
FCARABETTA	2005/06/19						
APPROVED BY	DATE						
KNOLLER	2005/06/19						
MATERIAL NO.	DOCUMENT NO.					SHEET NO.	
SEE SHT. 4, 5	SD-95503-003					2 OF 5	

DRAFT WHERE APPLICABLE
MUST REMAIN
WITHIN DIMENSIONS

THIS DRAWING CONTAINS INFORMATION THAT IS PROPRIETARY TO MOLEX INCORPORATED AND SHOULD NOT BE USED WITHOUT WRITTEN PERMISSION

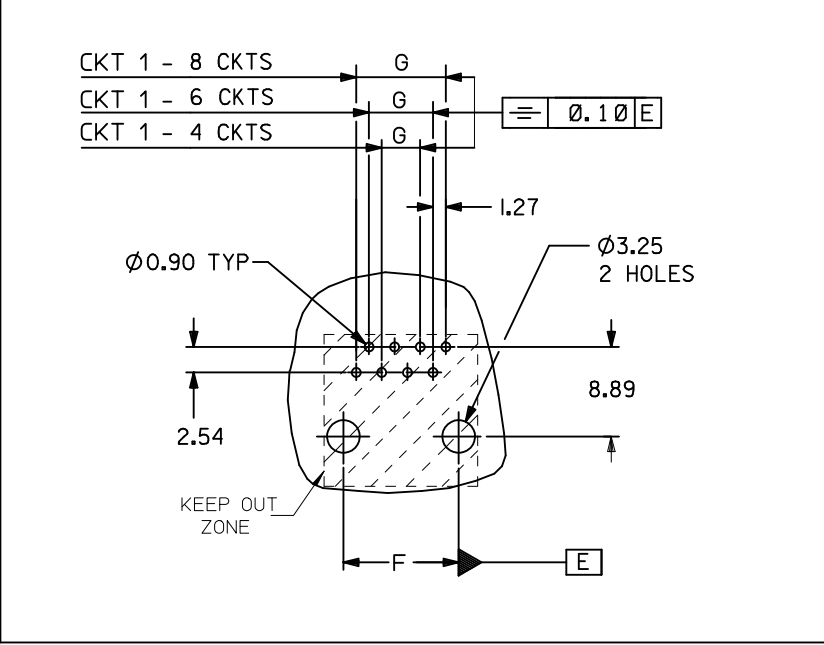
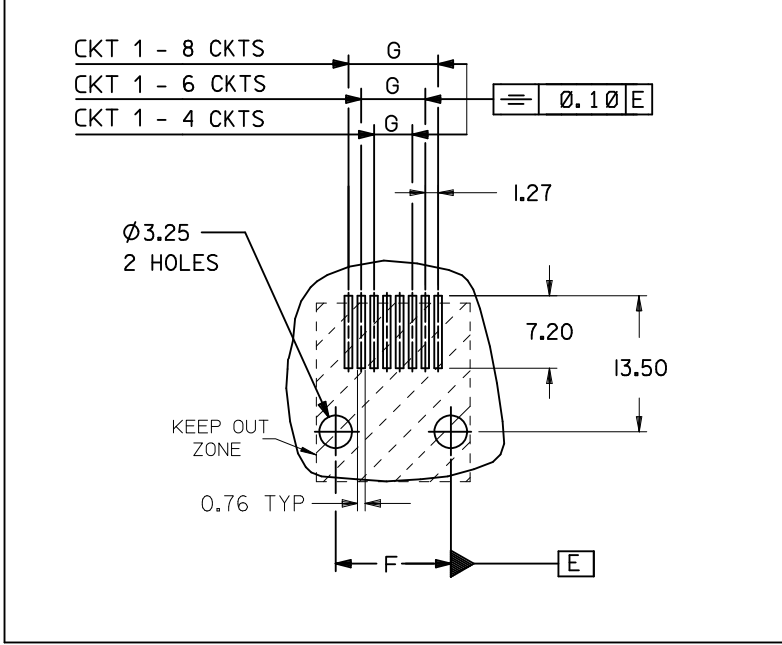
9 8 7 6 5 4 3 2 1

TYPE DIM.	POS. 4	POS. 6		POS. 8
	4 CKTS.	4 CKTS.	6 CKTS.	8 CKTS.
F ±0.05	7.62	10.16	10.16	11.43
G ±0.05	3.81	3.81	6.35	8.89

P.C.B MOUNTING PATTERNS - SEEN FROM COMPONENT SIDE

FOR SMT JACK (SURFACE MOUNT)

FOR STANDARD JACK (THROUGH HOLE)



NOTES:
ALL DIMENSIONS REF DIMENSIONS

REMOVED INCHES EC NO: E2012-0079 DRWN: JCONNOR CHKD: APPR: EFOLAN	DESCRIPTION 2011/03/04 2011/09/28	QUALITY SYMBOLS	GENERAL TOLERANCES (UNLESS SPECIFIED)	DIMENSION STYLE	SCALE	DESIGN UNITS	THIRD ANGLE PROJECTION		
		▼=0 □=0	mm INCH 4 PLACES ± --- ± --- 3 PLACES ± --- ± --- 2 PLACES ± 0.15 ± --- 1 PLACE ± 0.25 ± --- ANGULAR ± .5 °	MM ONLY	1:1	METRIC	DRAWN BY: TMARTIN DATE: 2005/06/15 CHECKED BY: FCARABETTA DATE: 2005/06/15 APPROVED BY: KNOLLER DATE: 2005/06/15	TITLE	LOW PROFILE T/E JACK
		DRAFT WHERE APPLICABLE MUST REMAIN WITHIN DIMENSIONS	SEE SHT. 4, 5	MATERIAL NO.	DOCUMENT NO.	MOLEX INCORPORATED SD-95503-003		SHEET NO.	3 OF 5
		SIZE A3	THIS DRAWING CONTAINS INFORMATION THAT IS PROPRIETARY TO MOLEX INCORPORATED AND SHOULD NOT BE USED WITHOUT WRITTEN PERMISSION						

TUBE PACKAGING, SEE PACKAGING SPEC. PK 95003
SHEET 2

HOUSING SIZE	LOADED CONTACTS
4	4
6	4
6	6
8	8

PART NO FOR JACK ASSEMBLY S.M.T. STANDARD VERSION							
LCP FIBER GLASS FILLED 94V0, COLOR BLACK.							
NO KEY	TOOLED	KEY	TOOLED	NO KEY	TOOLED		TOOLED
NO RIB	TOOLED	NO RIB	TOOLED	RIB	TOOLED		TOOLED
95503-6451	X						
95503-6651	X						
95503-6671	X						
95503-6891	X			95503-6887	X		

PART NO FOR JACK ASSEMBLY S.M.T. SHORT VERSION							
LCP FIBER GLASS FILLED 94V0, COLOR BLACK.							
NO KEY	TOOLED	KEY	TOOLED	NO KEY	TOOLED		TOOLED
NO RIB	TOOLED	NO RIB	TOOLED	RIB	TOOLED		TOOLED
95503-6894	X						

TOOLED	X
NOT TOOLED	

NOTES:
PLATING: SEE SHEET ONE

ADDED OPTIONS EC NO: IPG2012-0589 DRW:DBR/MS 2012/03/29 CHKD:MSHAHAN 2012/03/30 APPR:EFOLAN 2012/06/28	QUALITY SYMBOLS ▽=0 ◁=0	GENERAL TOLERANCES (UNLESS SPECIFIED) mm INCH 4 PLACES ± --- ± --- 3 PLACES ± --- ± --- 2 PLACES ± --- ± --- 1 PLACE ± --- ± --- ANGULAR ± ---°	DIMENSION STYLE MM ONLY DRAWN BY DATE TMARTIN 2005/06/16 CHECKED BY DATE FCARABETTA 2005/06/16 APPROVED BY DATE KNOLLER 2005/06/16	SCALE --- DESIGN UNITS METRIC THIRD ANGLE PROJECTION	TITLE LOW PROFILE T/E JACK SMT VERSION
	DRAFT WHERE APPLICABLE MUST REMAIN WITHIN DIMENSIONS		MATERIAL NO. SEE CHART	DOCUMENT NO. SD-95503-003	SHEET NO. 5 OF 5
	THIS DRAWING CONTAINS INFORMATION THAT IS PROPRIETARY TO MOLEX INCORPORATED AND SHOULD NOT BE USED WITHOUT WRITTEN PERMISSION				
	MOLEX INCORPORATED				