



Chipsmall Limited consists of a professional team with an average of over 10 year of expertise in the distribution of electronic components. Based in Hongkong, we have already established firm and mutual-benefit business relationships with customers from,Europe,America and south Asia,supplying obsolete and hard-to-find components to meet their specific needs.

With the principle of "Quality Parts,Customers Priority,Honest Operation,and Considerate Service",our business mainly focus on the distribution of electronic components. Line cards we deal with include Microchip,ALPS,ROHM,Xilinx,Pulse,ON,Everlight and Freescale. Main products comprise IC,Modules,Potentiometer,IC Socket,Relay,Connector.Our parts cover such applications as commercial,industrial, and automotives areas.

We are looking forward to setting up business relationship with you and hope to provide you with the best service and solution. Let us make a better world for our industry!



Contact us

Tel: +86-755-8981 8866 Fax: +86-755-8427 6832

Email & Skype: info@chipsmall.com Web: www.chipsmall.com

Address: A1208, Overseas Decoration Building, #122 Zhenhua RD., Futian, Shenzhen, China



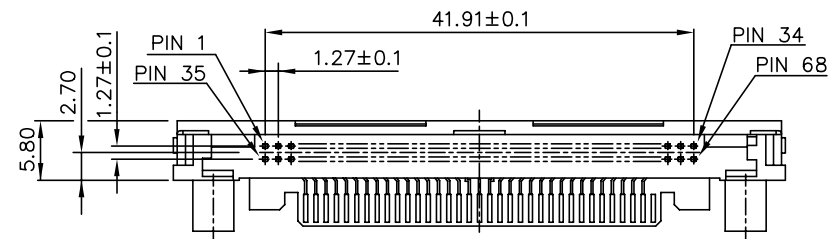
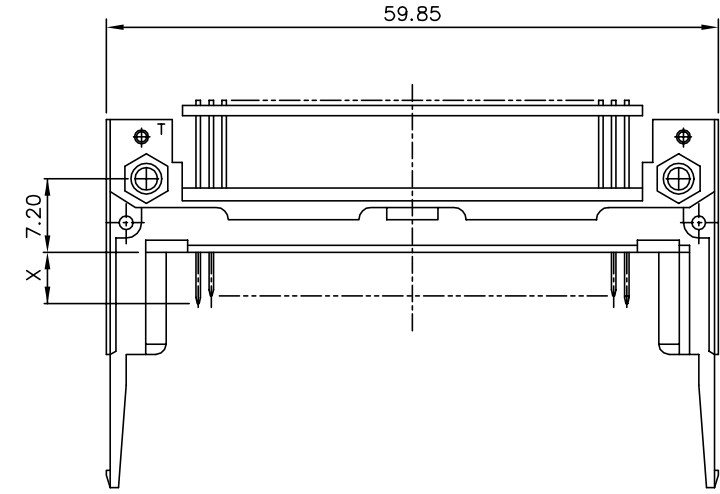
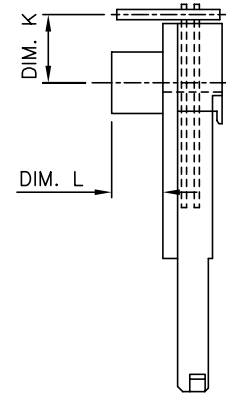
FCI CONFIDENTIAL



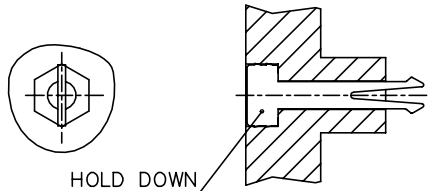
This document is the property of and embodies CONFIDENTIAL and PROPRIETARY information of FCI. No part of this information shown on this document may be used in any way or disclosed to others without the written consent of FCI.
Copyright FCI.

PRODUCT NO.	DIM "X"		
	4.25±0.1	3.5±0.1	5.0±0.1
95548-****	OTHERS	36,67	1,17,34 35,51,68

- 95548-□□□□
- HOLD DOWN : H
 - STAND-OFF
 - 00 : 0.0 mm
 - 20 : 2.0 mm
 - 22 : 2.2 mm
 - 30 : 3.0 mm
 - 40 : 4.0 mm
 - 43 : 4.3 mm
 - 50 : 5.0 mm
 - UPPER DECK : 5
 - LOWER DECK : 0
 - LOWER DECK : 1
(FOR HOLLAND)
 - LOWER DECK : 2
(FOR KOREA)
 - TOP MOUNT : 0
 - BOTTOM MOUNT : 5



NOTE:
1. ADD "H" TO PART NUMBER FOR OPTIONAL HOLD DOWN (2 PER ASSEMBLY).



95548-0000	0	-0.3
95548-0050H	5	-0.3
95548-0222	2.2	2.15
95548-0150	5	-0.3
95548-0100	0	2.15
95548-0522	0	9.0
95548-0022	2.2	2.15
95548-0543	0	6.55
95548-0043	4.3	-0.3
95548-0550	0	6.55
95548-0050	5	-0.3
95548-0500	0	10.0

PRODUCT NO.	DIM.L	DIM.K±0.20
-------------	-------	------------

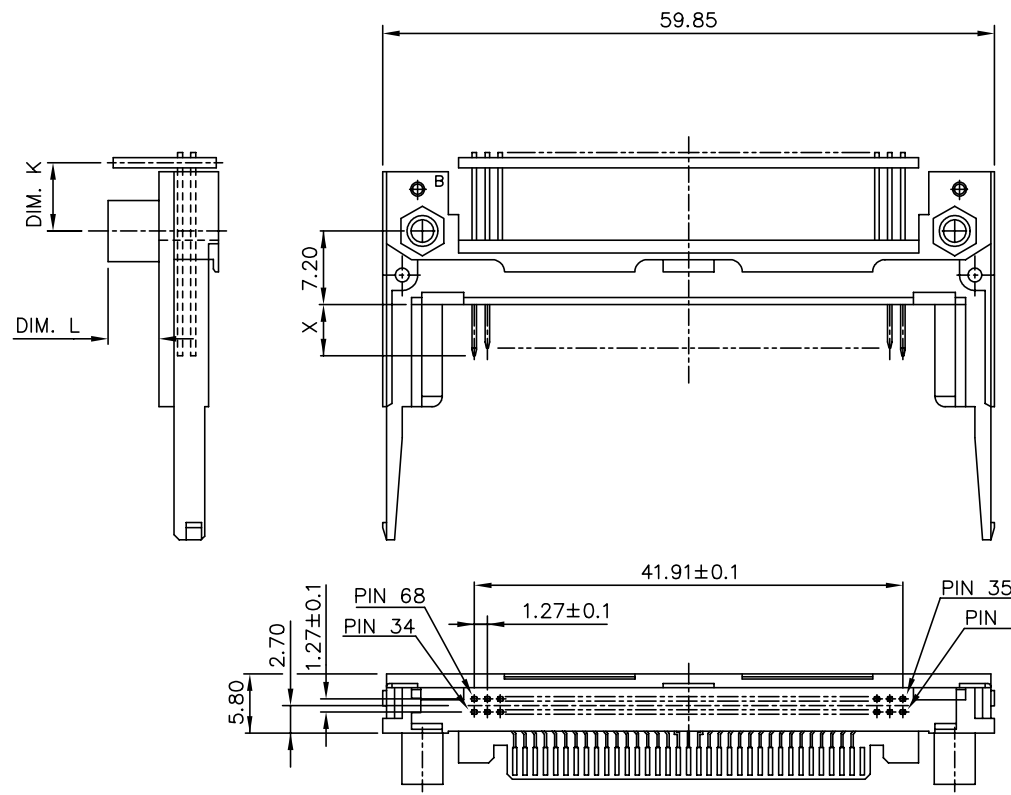
mat'l. code		surface		tolerance		projection		product family	
		ISO 1302		ISO 406 ISO 1181		1:1		PCMCIA	
trn ecn no dr date		tolerances unless otherwise specified		title					
J	T03-0464	W	L	10/20/03	angles	linear	±0.3	68 POS EJECTOR HEADER HSG HEADER ASS'Y	
K	N04-0092	W	B	12/01/04	linear	±2'	MM	dwg no sheet 1 of 4 size	
L	N06-0110	M	Z	07/01/06	linear	±2'	scale 2:1	95548 A4	
M	N08-0099	M	Z	05/20/08	dr	Mike Zhou	07/01/06	type CUSTOMER Drawing	
N	ELX-N-011439	Z	K	04/12/11	enr	Mike Zhou	07/01/06		
					chr	Qin David	07/01/06		
					app	Jack Wang	07/01/06		
sheet	revision	N	N	N	N				
index	sheet	1	2	3	4				

FCI CONFIDENTIAL



This document is the property of and embodies CONFIDENTIAL and PROPRIETARY information of FCI. No part of this information shown on this document may be used in any way or disclosed to others without the written consent of FCI.
Copyright FCI.

PRODUCT NO.	DIM "X"		
95548-****	4.25±0.1	3.5±0.1	5.0±0.1
	OTHERS	36,67	1,17,34 35,51,68



95548-	□	□	□	
	STAND-OFF	00	:	0.0 mm
		20	:	2.0 mm
		22	:	2.2 mm
		30	:	3.0 mm
		40	:	4.0 mm
		43	:	4.3 mm
		50	:	5.0 mm
	UPPER DECK	:	5	
	LOWER DECK	:	0	
	TOP MOUNT	:	0	
	BOTTOM MOUNT	:	5	

95548-5150	5	2.15
95548-5522	0	9.0
95548-5022	2.2	2.15
95548-5543	0	6.55
95548-5043	4.3	-0.3
95548-5550	0	6.55
95548-5050	5	-0.3
95548-5500	0	10.0

PRODUCT NO.	DIM.L	DIM.K±0.20
-------------	-------	------------

mat'l. code	surface	tolerance	projection	product family
	ISO 1302	ISO 406 ISO 1181	1:1	PCMCIA
ltr ecn no dr date	tolerances unless otherwise specified			title
N	angles	linear ±0.3	MM	68 POS EJECTOR HEADER HSG HEADER ASS'Y
	±2'		scale	
dr	Mike Zhou	07/01'06	FCI	dwg no
enr	Mike Zhou	07/01'06		sheet 2 of 4
chr	Qin David	07/01'06		size
appd	Jack Wang	07/01'06		A4
				type CUSTOMER Drawing
sheet index	revision sheet			

FCI CONFIDENTIAL



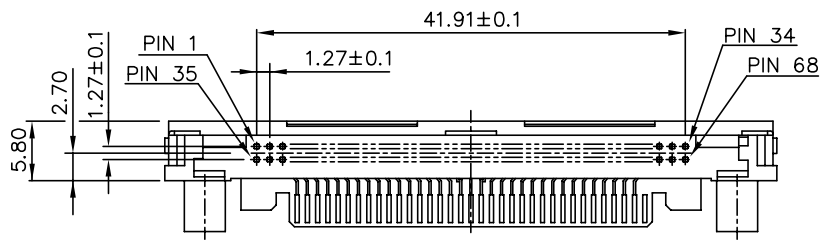
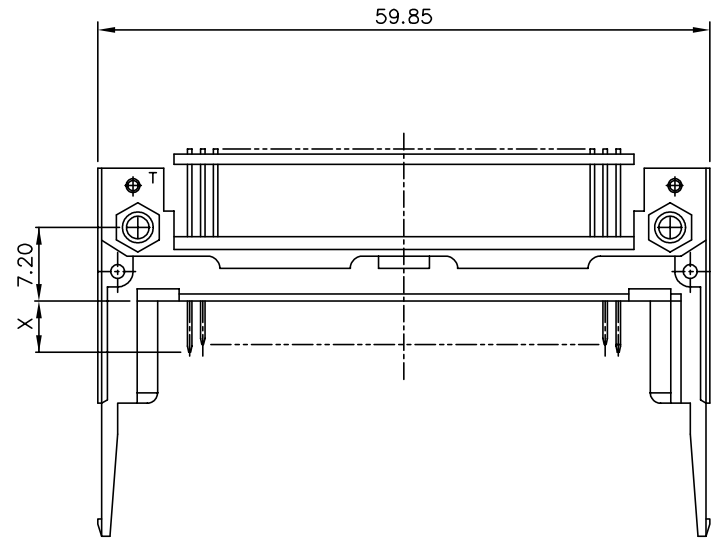
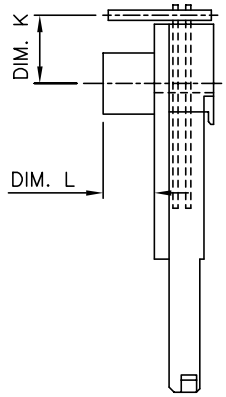
This document is the property of and embodies CONFIDENTIAL and PROPRIETARY information of FCI. No part of this information shown on this document may be used in any way or disclosed to others without the written consent of FCI.
Copyright FCI.

PRODUCT NO.	DIM "X"		
95548-****LF	4.25±0.1	3.5±0.1	5.0±0.1
	OTHERS	36,67	1,17,34 35,51,68

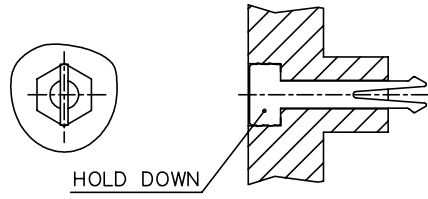
- 95548-□□□□□
- LEAD-FREE OPTION : LF
 - HOLD DOWN : H
 - STAND-OFF
 - 00 : 0.0 mm
 - 20 : 2.0 mm
 - 22 : 2.2 mm
 - 30 : 3.0 mm
 - 40 : 4.0 mm
 - 43 : 4.3 mm
 - 50 : 5.0 mm
 - UPPER DECK : 5
 - LOWER DECK : 0
 - LOWER DECK : 1
(FOR HOLLAND)
 - LOWER DECK : 2
(FOR KOREA)
 - TOP MOUNT : 0
 - BOTTOM MOUNT : 5

95548-0100MLF	0	2.15
95548-0000LF	0	-0.3
95548-0051LF	5	-0.3
95548-0050HLF	5	-0.3
95548-0222LF	2.2	2.15
95548-0150LF	5	-0.3
95548-0100LF	0	2.15
95548-0522LF	0	9.0
95548-0022LF	2.2	2.15
95548-0543LF	0	6.55
95548-0043LF	4.3	-0.3
95548-0550LF	0	6.55
95548-0050LF	5	-0.3
95548-0500LF	0	10.0

PRODUCT NO.	DIM.L	DIM.K±0.20
-------------	-------	------------



NOTE:
1. ADD "H" TO PART NUMBER FOR OPTIONAL HOLD DOWN (2 PER ASSEMBLY).



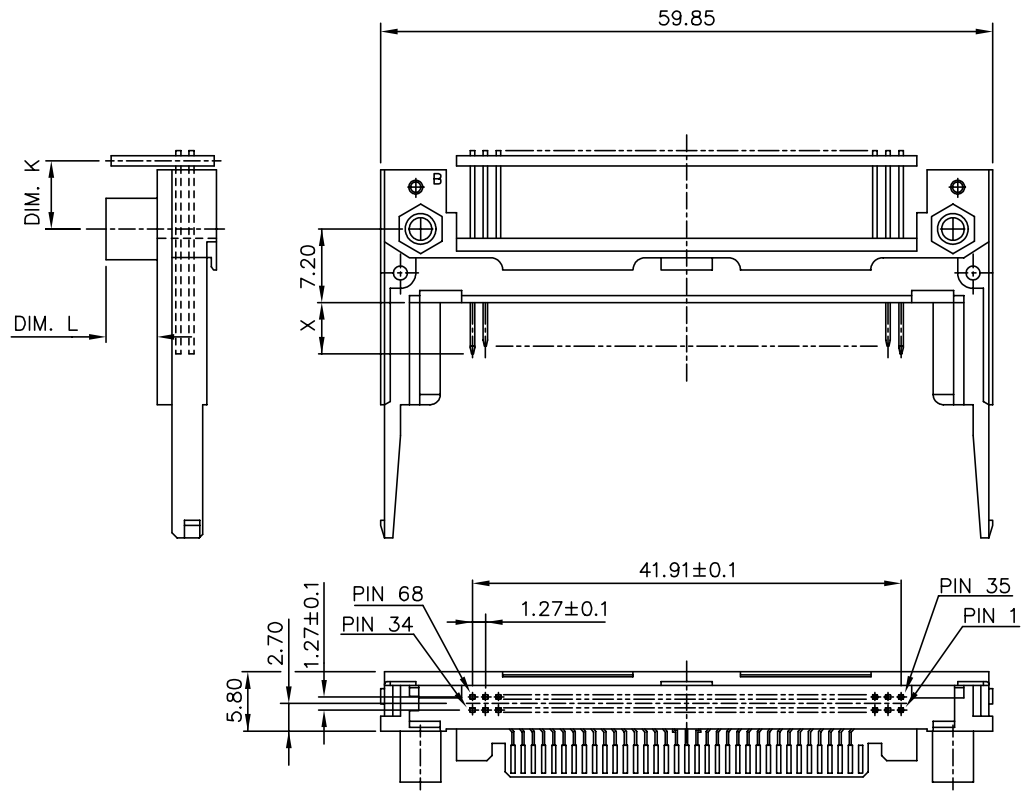
mat'l. code		surface		tolerance		projection		product family	
		ISO 1302		ISO 406 ISO 1181		1181		PCMCIA	
ltr ecn no dr date		tolerances unless otherwise specified		angles		linear		title	
N				±2'		±0.3		68 POS EJECTOR HEADER HSG HEADER ASS'Y	
						scale		MM	
		dr		Mike Zhou		07/01'06		dwg no	
		enr		Mike Zhou		07/01'06		sheet 3 of 4	
		chr		Qin David		07/01'06		size	
		appd		Jack Wang		07/01'06		A4	
								95548	
								type CUSTOMER	
								Drawing	
sheet index		revision sheet							

FCI CONFIDENTIAL



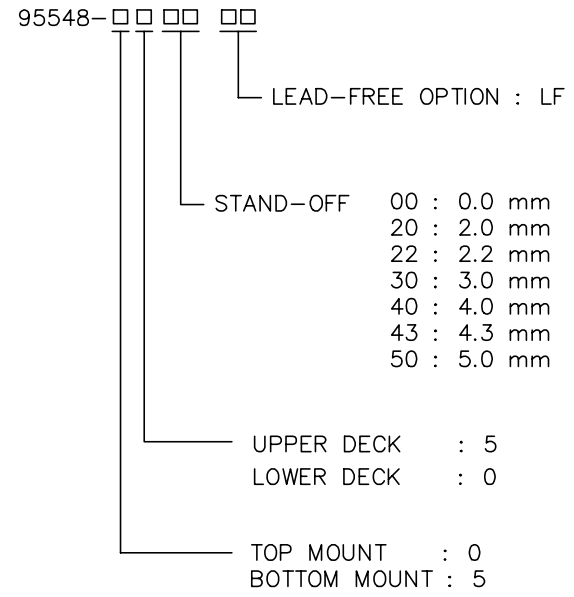
This document is the property of and embodies CONFIDENTIAL and PROPRIETARY information of FCI. No part of this information shown on this document may be used in any way or disclosed to others without the written consent of FCI.
Copyright FCI

PRODUCT NO.	DIM"X"		
95548-****LF	4.25±0.1	3.5±0.1	5.0±0.1
	OTHERS	36,67	1,17,34 35,51,68



Note:
 1. FINISH (PIN)
 UNDER PLATING : 0.5 μm MIN. Ni
 CONTACT AREA : 0.076 μm MIN. GOLD

SOLDER TAIL:
 TIN LEAD PLATING: 2.5 μm MIN. Sn-Pb
 LEAD FREE PLATING: 2.5 μm MIN. PURE TIN
 2. IF LEAD FREE P/N. THE HOUSING WILL WITHSTAND EXPOSURE TO 260°C PEAK FOR 10 SECONDS IN A WAVE SOLDER APPLICATION WITH A 1.00MM MINIMUM THICK CIRCUIT BOARD
 3. IF LEAD FREE P/N. PACKAGING MEETS GS-14-920 SPECIFICATION



95548-5150LF	5	2.15
95548-5522LF	0	9.0
95548-5022LF	2.2	2.15
95548-5543LF	0	6.55
95548-5043LF	4.3	-0.3
95548-5550LF	0	6.55
95548-5050LF	5	-0.3
95548-5500LF	0	10.0

PRODUCT NO.	DIM.L	DIM.K±0.20
-------------	-------	------------

4. PRODUCT SPEC:110-263

mat'l. code	surface	tolerance	projection	product family
	ISO 1302	ISO 406 ISO 1101	1:1	PCMCIA
ltr ecn no dr date	tolerances unless otherwise specified			title
N	angles	linear ±0.3	MM	68 POS EJECTOR HEADER HSG HEADER ASS'Y
	±2'		scale	
	dr	Mike Zhou	07/01'06	dwg no
	engr	Mike Zhou	07/01'06	sheet 4 of 4
	chr	Qin David	07/01'06	size
	appd	Jack Wang	07/01'06	95548
				A4
				type CUSTOMER Drawing
sheet index	revision sheet			