



Chipsmall Limited consists of a professional team with an average of over 10 year of expertise in the distribution of electronic components. Based in Hongkong, we have already established firm and mutual-benefit business relationships with customers from,Europe,America and south Asia,supplying obsolete and hard-to-find components to meet their specific needs.

With the principle of "Quality Parts,Customers Priority,Honest Operation,and Considerate Service",our business mainly focus on the distribution of electronic components. Line cards we deal with include Microchip,ALPS,ROHM,Xilinx,Pulse,ON,Everlight and Freescale. Main products comprise IC,Modules,Potentiometer,IC Socket,Relay,Connector.Our parts cover such applications as commercial,industrial, and automotives areas.

We are looking forward to setting up business relationship with you and hope to provide you with the best service and solution. Let us make a better world for our industry!



Contact us

Tel: +86-755-8981 8866 Fax: +86-755-8427 6832

Email & Skype: info@chipsmall.com Web: www.chipsmall.com

Address: A1208, Overseas Decoration Building, #122 Zhenhua RD., Futian, Shenzhen, China



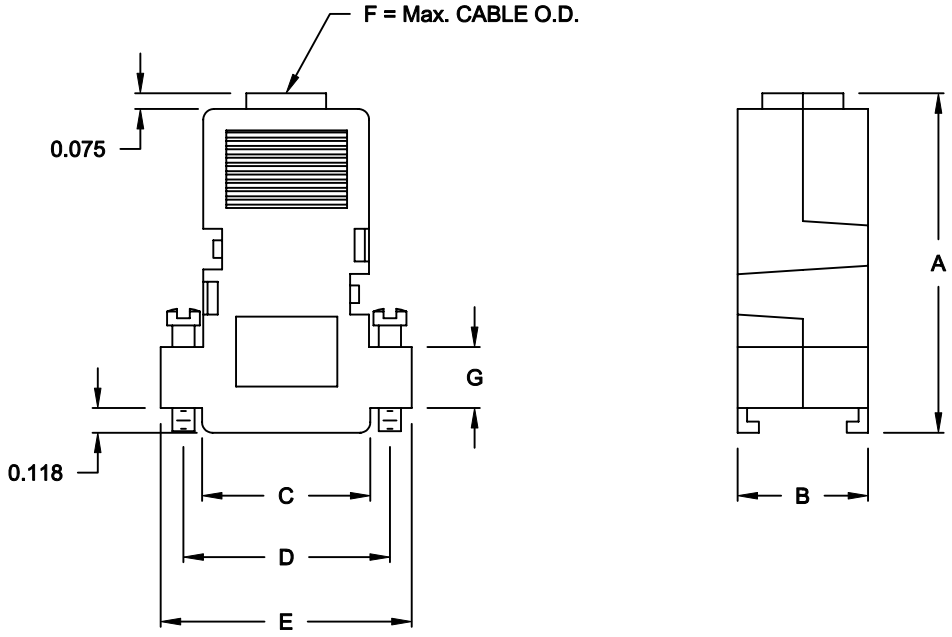
DESCRIPTION: STRAIGHT, SNAP TOGETHER - BLACK & GRAY PLASTIC

SPECIFICATIONS:

MATERIAL: ABS UL94-HB
 COLOR: BLACK OR GRAY

BACKSHELL KIT INCLUDES:

- (2) BACKSHELL HALVES
- (1) STRAIN RELIEF CLAMP (2-PARTS)
- (2) JACKSCREWS



956-YYY-010RYY1

SERIES _____
 POSITIONS _____
 009 _____
 015 _____
 025 _____
 MATERIAL _____
 010 = PLASTIC _____
 RoHS COMPLIANT _____
 COLOR _____
 01 = BLACK _____
 03 = GRAY _____
 PUT-UP _____
 1 = KIT _____

DIMENSIONS (IN.)

No. OF PINS	A	B	C	D	E	F	G
09	1.618	0.622	0.807	0.984	1.201	0.323	0.315
15	1.634	0.610	1.078	1.311	1.579	0.449	0.287
25	1.732	0.670	1.177	1.874	2.110	0.433	0.291

DO NOT SCALE FROM DRAWING



THESE DRAWINGS AND SPECIFICATIONS ARE THE PROPERTY OF NorComp AND SHALL NOT BE REPRODUCED, COPIED OR USED AS THE BASIS FOR THE MANUFACTURE OF SALE OF APPARATUS WITHOUT WRITTEN PERMISSION.

DRAWN: C. SMITH		DATE: 05-09-07	
CHECKED:		DATE:	
SCALE: 1:1	SHEET 1 OF 1	REV 0	
DWG NO. 956-YYY-010RYY1			

NorComp

RoHS COMPLIANT