



Chipsmall Limited consists of a professional team with an average of over 10 year of expertise in the distribution of electronic components. Based in Hongkong, we have already established firm and mutual-benefit business relationships with customers from,Europe,America and south Asia,supplying obsolete and hard-to-find components to meet their specific needs.

With the principle of “Quality Parts,Customers Priority,Honest Operation,and Considerate Service”,our business mainly focus on the distribution of electronic components. Line cards we deal with include Microchip,ALPS,ROHM,Xilinx,Pulse,ON,Everlight and Freescale. Main products comprise IC,Modules,Potentiometer,IC Socket,Relay,Connector.Our parts cover such applications as commercial,industrial, and automotives areas.

We are looking forward to setting up business relationship with you and hope to provide you with the best service and solution. Let us make a better world for our industry!



## Contact us

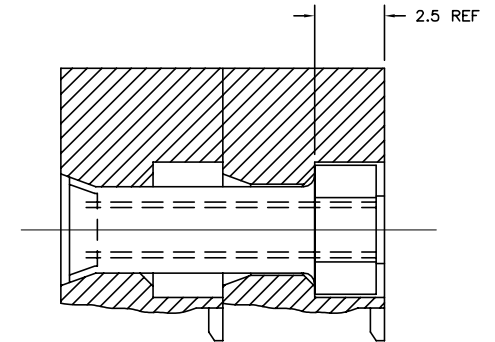
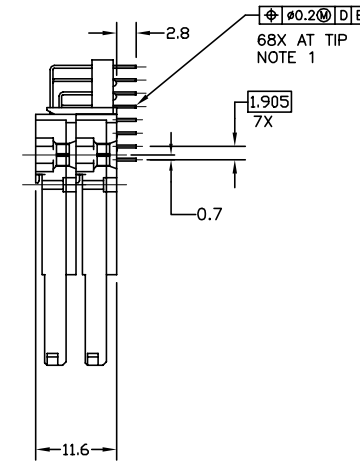
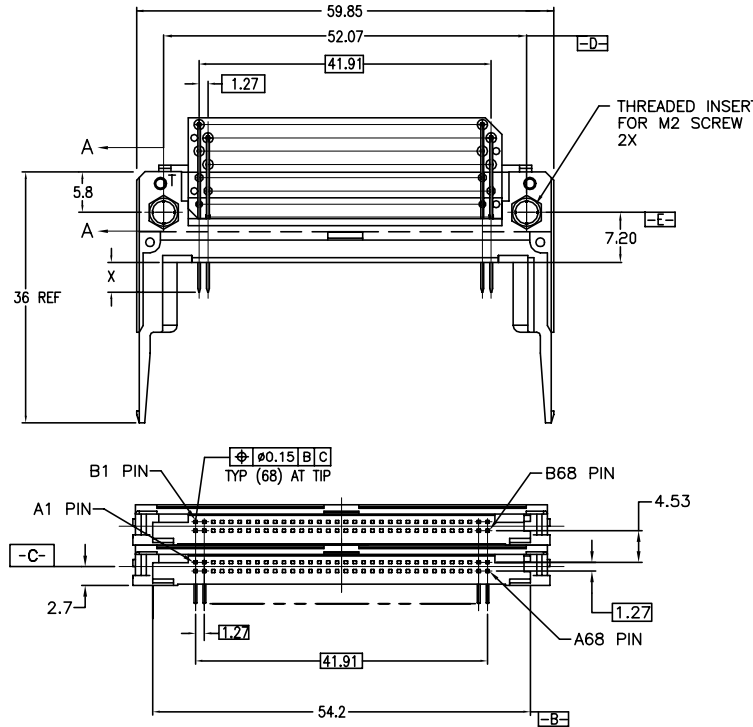
Tel: +86-755-8981 8866 Fax: +86-755-8427 6832

Email & Skype: info@chipsmall.com Web: www.chipsmall.com

Address: A1208, Overseas Decoration Building, #122 Zhenhua RD., Futian, Shenzhen, China



PRODUCT NO	DIM X			MOUNTING STYLE	COLOR
	4.25±0.1	3.5±0.1	5.0±0.1		
95705-000	OTHERS	36,67	1,17,34 35,51,68	TOP W\O LOCATOR	BLACK
95705-000LF	OTHERS	36,67	1,17,34 35,51,68	TOP W\O LOCATOR	BLACK



SECTION A-A  
SCALE 8/1

NOTES:

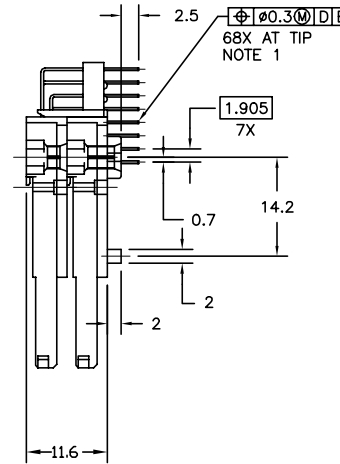
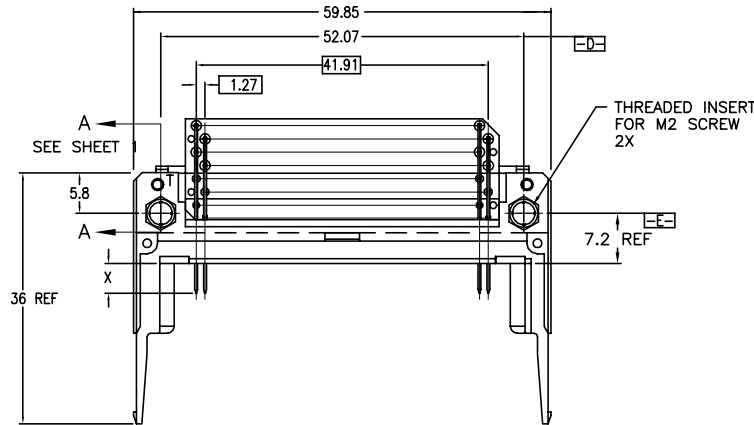
- TRUE POSITION IS A FREE GRID TO THE PIN PATTERN ITSELF.
- SEE TA-946 FOR PCB LAYOUT.
- MATERIAL:  
PLASTIC: HIGH TEMPERATURE THERMOPLASTIC UL94V-0 BLACK  
PIN: COPPER ALLOY
- FINISH (PIN):  
UNDER PLATING: 0.5 µM MIN. Ni  
CONTACT AREA: 0.076 µM MIN. GOLD  
SOLDER AREA: 2.5 µM MIN. Sn-Pb  
: 2.5 µM MIN. PURE Sn ( FOR -\*\*\*LF)
- IF LEAD FREE P/N.THE HOUSING WILL WITHSTAND EXPOSURE TO 260°C PEAK TEMPERATURE FOR 10 SECONDS IN A WAVE SOLDER APPLICATION WITH A 1.00MM THICK CIRCUIT BOARD.
- IF LEAD FREE P/N.THE PRODUCT MEETS EUROPEAN UNION DIRECTIVES AND OTHER COUNTRY REGULATIONS AS DESCRIBED IN GS-22-008
- LEAD FREE P/N PACKAGING MEETS GS-14-920 SPECIFICATION
- PRODUCT SPEC:110-263

mat'l. code		surface		tolerance		projection		product family	
		ISO1302		ISO406 ISO1101		MM		PCMCIA	
l	tr	ec	no	dr	date	tolerances unless otherwise specified		title	
A	V50549	SSD	07/17/95	angle	0.X±0.3	scale 1:1		3.3VOLT DOUBLE DECK HEADER	
B	T50281	GAH	10/20/95	0°±2'	0.XX±0.13			dwg no sheet 1 of 4 size	
C	V12164	TFG	08/17/01		0.XXX±0.05			95705 A4	
D	N05-0174	WB	06/16/05	dr	S.DUESERHOEF	07/17/95		type Product Customer Drawing	
E	ELX-N-007956	ZK	11/01/11	engr	D.BRANN	07/17/95			
F	ELX-N-01144	ZK	04/24/12	chr	D.BRANN	07/17/95			
				appd	D.BRANN	07/17/95			
sheet index	revision	F	F	F	F				
	sheet	1	2	3	4				



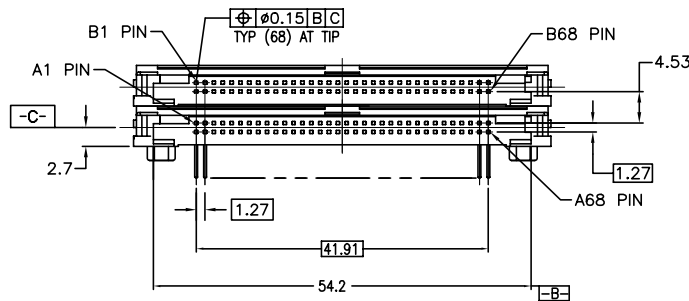


PRODUCT NO.	DIM X			MOUNTING STYLE	COLOR
	4.25±0.1	3.5±0.1	5.0±0.1		
95705-040	OTHERS	36,67	1,17,34 35,51,68	TOP W\O LOCATOR	BLACK
95705-040LF	OTHERS	36,67	1,17,34 35,51,68	TOP W\O LOCATOR	BLACK



NOTES:

- TRUE POSITION IS A FREE GRID TO THE PIN PATTERN ITSELF.
- SEE TA-946 FOR PCB LAYOUT.
- MATERIAL:  
PLASTIC: HIGH TEMPERATURE THERMOPLASTIC UL94V-0 BLACK  
PIN: COPPER ALLOY
- FINISH (PIN):  
UNDER PLATING: 0.5  $\mu$ M MIN. Ni  
CONTACT AREA: 0.076  $\mu$ M MIN. GOLD  
SOLDER AREA: 2.5  $\mu$ M MIN. Sn-Pb  
: 2.5  $\mu$ M MIN. PURE Sn ( FOR -\*\*\*LF)
- IF LEAD FREE P/N.THE HOUSING WILL WITHSTAND EXPOSURE TO 260°C PEAK TEMPERATURE FOR 10 SECONDS IN A WAVE SOLDER APPLICATION WITH A 1.00MM MINIMUM THICK CIRCUIT BOARD.
- IF LEAD FREE P/N.THE PRODUCT MEETS EUROPEAN UNION DIRECTIVES AND OTHER COUNTRY REGULATIONS AS DESCRIBED IN GS-22-008
- LEAD FREE P/N PACKAGING MEETS GS-14-920 SPECIFICATION
- PRODUCT SPEC:110-263



mat'l. code	surface	tolerance	projection	product family
ISD1302	ISD406	ISD1101	PCMCIA	
date	tolerances unless otherwise specified	angle	scale 1:1	title
		0.X±0.3	MM	3.3VOLT DOUBLE DECK HEADER
		0.XX±0.13		
		0°±2'		
dr	S.DUESERHOEF	07/17/95		dwg no
enr	D.BRANN	07/17/95		sheet 3 of 4
chr	D.BRANN	07/17/95		size
appd	D.BRANN	07/17/95		A4
sheet index	revision sheet			type Product Customer Drawing



