



Chipsmall Limited consists of a professional team with an average of over 10 year of expertise in the distribution of electronic components. Based in Hongkong, we have already established firm and mutual-benefit business relationships with customers from,Europe,America and south Asia,supplying obsolete and hard-to-find components to meet their specific needs.

With the principle of “Quality Parts,Customers Priority,Honest Operation,and Considerate Service”,our business mainly focus on the distribution of electronic components. Line cards we deal with include Microchip,ALPS,ROHM,Xilinx,Pulse,ON,Everlight and Freescale. Main products comprise IC,Modules,Potentiometer,IC Socket,Relay,Connector.Our parts cover such applications as commercial,industrial, and automotives areas.

We are looking forward to setting up business relationship with you and hope to provide you with the best service and solution. Let us make a better world for our industry!



## Contact us

Tel: +86-755-8981 8866 Fax: +86-755-8427 6832

Email & Skype: info@chipsmall.com Web: www.chipsmall.com

Address: A1208, Overseas Decoration Building, #122 Zhenhua RD., Futian, Shenzhen, China





Pushbutton  
A

# ELUM™ Series Right Angle Illuminated Latching Pushbutton

**LEAD FREE  
COMPATIBLE OPTION**

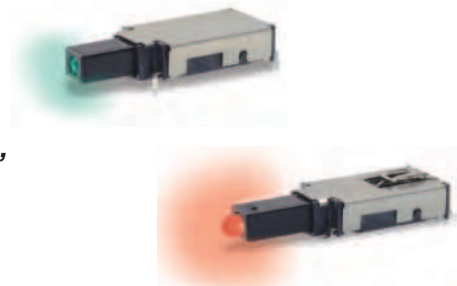
## Features/Benefits

- SPDT (N.O. & N.C.)
- Low height above PCB
- Reliable self-cleaning contact
- Surface-mount or thru-hole PCB
- Standard or custom actuator
- Central LED illumination
- Latching or Momentary
- Long travel. Smooth feel
- RoHS compliant and compatible

## Typical Applications

- Telecom network equipment
- Automotive electronics
- Consumer electronics
- Computer, server, modem, data storage
- Professional instrumentation, medical

Patent Numbers  
6,974,924 B2 US  
EP1583118B1 Europe



## Materials

FIXED CONTACTS: Stainless steel, silver plated with gold flash  
 TERMINALS: Stainless steel, silver plated  
 MOVABLE CONTACTS: Copper alloy, silver plated with gold flash  
 BASE: Glass filled LCP (UL94V-0)  
 ACTUATOR: Glass filled nylon 4/6 (UL94V-0)  
 COVER: Stainless steel

## Electrical

MAXIMUM POWER: 3.5 VA  
 MIN./MAX. VOLTAGE: 20 mV – 50 VDC  
 MIN./MAX. CURRENT: 0.01 mA – 250 mA  
 DIELECTRIC STRENGTH: ≥ 250 Vrms  
 CONTACT RESISTANCE: ≤ 50 mΩ  
 INSULATION RESISTANCE: ≥ 10<sup>9</sup> Ω  
 BOUNCE TIME: ≤ 1 ms  
 LED SPECIFICATIONS: See page A-5

## Mechanical

OPERATING FORCE: 2.5 N at Full Travel  
 SWITCHING TRAVEL: .067" (1.7 mm)  
 LATCH TRAVEL: .131" (3.6 mm)  
 FULL TRAVEL: .200" (5.1 mm)

## Operating Environment

OPERATING TEMPERATURE: -40°C TO 80°C.  
 STORAGE TEMPERATURE: -40°C TO 80°C.  
 RELATIVE HUMIDITY: 90% R.H. @ 80°C.  
 OPERATING LIFE: 30,000 Cycles.  
 VIBRATION: Per EIA 186-E Method  
 MECHANICAL SHOCK: Per EIA 186-E Method 12.  
 OVERLOAD: Withstands 40 N for 1 minute without damage

## Process Environment

SOLDERABILITY: According to Mil STD 202F Method 208D or EIA RS-186E Method 9.  
 LEAD FREE PROCESS COMPATIBLE: 260°C peak, 10 seconds Max. above 250° C.  
 WASHING PROCESS: No clean process compatible (SMT)  
 Bottom wash compatible (Thru-hole)  
 SHEAR TEST (SWITCH/PCB): > 40 N

## Packaging

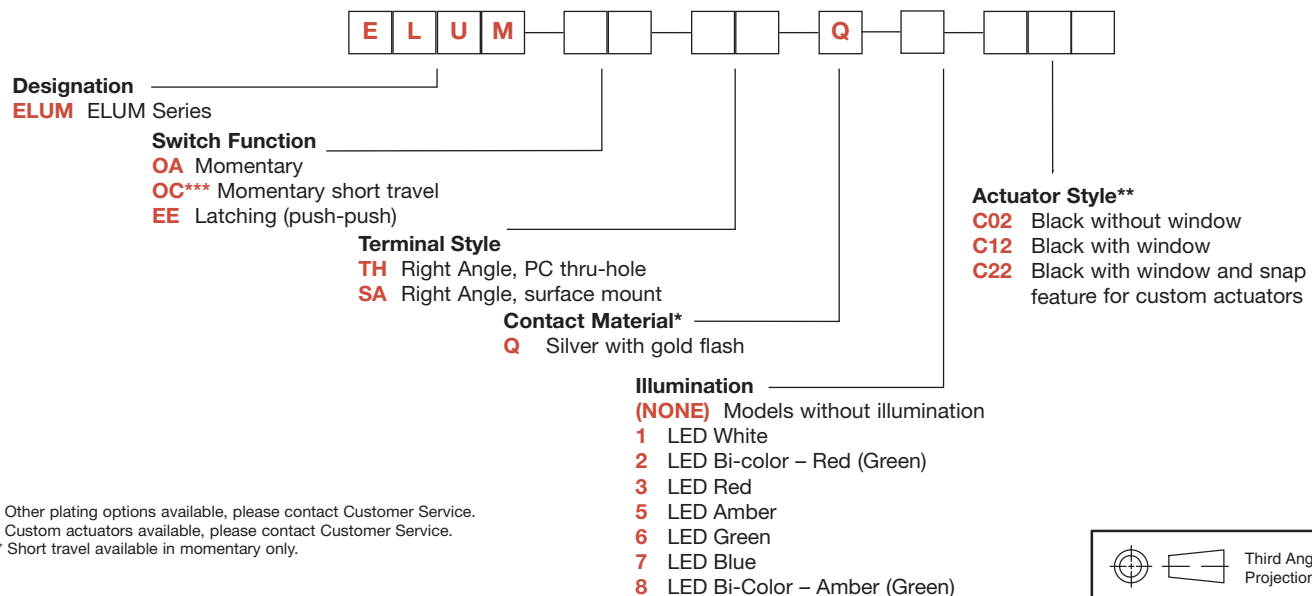
"SA" Terminal Style SMT: Tape and reel per EIA 481-2 (450/reel)  
 "TH" Terminal Style PC: Tray (60/tray)

**NOTE:** Any models supplied with Q, contact material are RoHS compliant.

**NOTE:** Specifications and materials listed above are for switches with standard options. For information on specific and custom switches, please contact Customer Service.

## Build-A-Switch

To order, simply select desired option from each category and place in the appropriate box.



Dimensions are shown: Inches (mm)  
Specifications and dimensions subject to change

# ELUM™ Series Right Angle Illuminated Latching Pushbutton

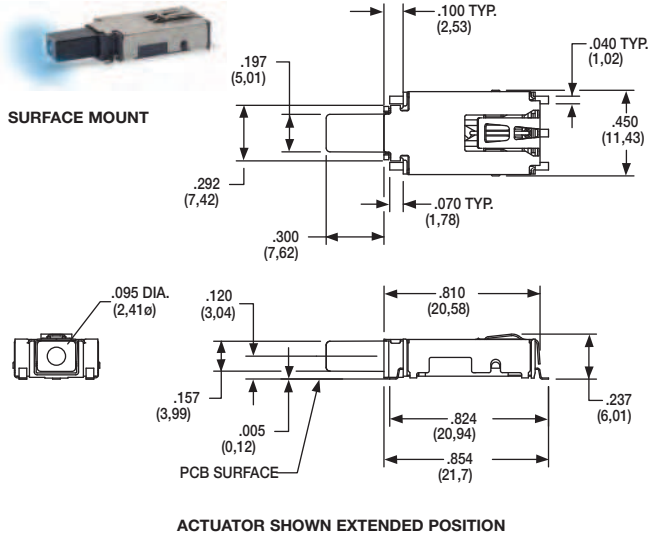


A

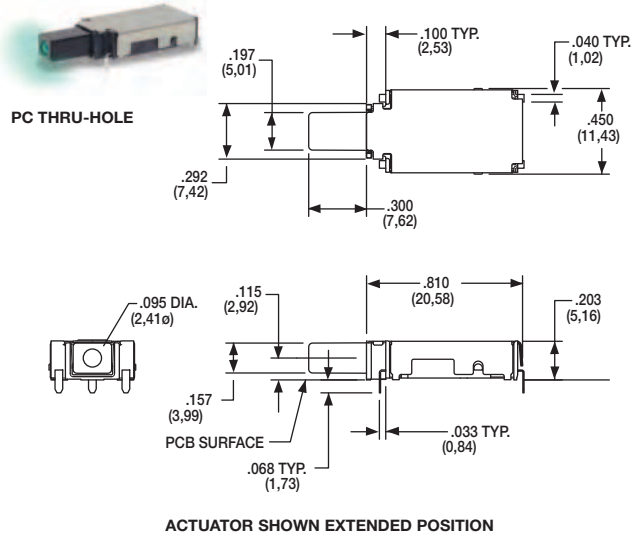
Pushbutton

## STANDARD OPTIONS

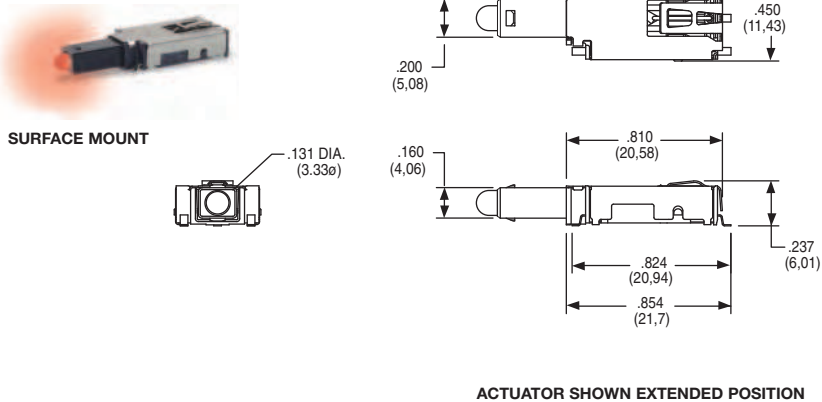
### ELUMEESAQ7C12



### ELUMOATHQ6C12



### ELUMEESAQ3C22



## DESIGNATION **ELUM** □ □ □ □ □ □ □ □ □ □

**ELUM** ELUM SERIES, Illuminated Latching Pushbutton

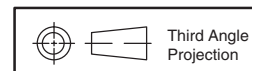
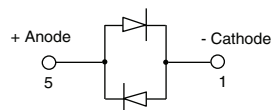
## SWITCH FUNCTION ■ □ □ □ □ □ □ □ □ □ □

OPTION CODE	NO. OF POLES	POSITION 1	CONNECTED TERMINALS	POSITION 2	CONNECTED TERMINALS	SCHEMATIC
		SWITCH FUNCTION		SWITCH FUNCTION		
<b>OA / OC</b>	SP Momentary	ON	3 - 4	ON (Mom.)	3 - 2	
<b>EE</b>	SP Latching (Push-Push)	ON	3 - 4	ON	3 - 2	

For SPST N.O. function, only terminals 3 & 2 are used.  
 For SPST N.C. function, only terminals 3 & 4 are used.  
 Circuit: Make before break

LED pins 1 & 5 are independent of switch function.

**NOTE:**  
 For bi-color LED's the polarity must be reversed to alternate the color



Dimensions are shown: Inches (mm)  
 Specifications and dimensions subject to change

www.ck-components.com



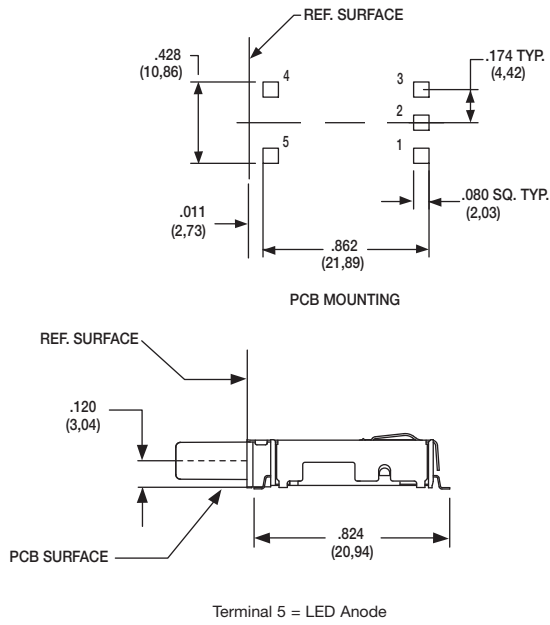
# ELUM™ Series Right Angle Illuminated Latching Pushbutton

Pushbutton  
A

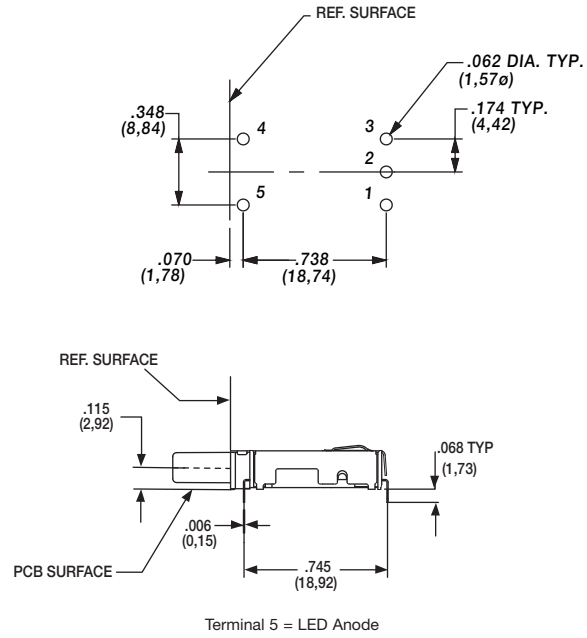
## TERMINAL STYLE



### SA RIGHT ANGLE, SURFACE MOUNT



### TH RIGHT ANGLE, PC THRU-HOLE



## CONTACT MATERIAL



OPTION CODE	CONTACT MATERIAL	TERMINAL PLATING	RATINGS
Q	SILVER WITH GOLD FLASH	SILVER	250 mA

\* Note: See Technical Data section of this catalog for RoHS compliant and compatible definitions and specifications.

FIXED CONTACTS AND TERMINALS: Stainless steel, silver plated with gold flash

MOVABLE CONTACTS: Copper alloy, silver plated with gold flash

**NOTE:** Any models supplied with Q, contact material are RoHS compliant.

## ILLUMINATION



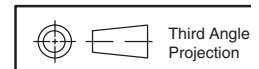
OPTION CODE	ILLUMINATION TYPE	TYPICAL INTENSITY* MIN	TYPICAL INTENSITY* MAX	PEAK WAVELENGTH	Vf Forward Voltage
		(mcd)		(nm)	
0	Model without illumination	N/A		N/A	
1	LED Super White	4,000	5,000	N/A	3.5
2	LED Bi-Color – Red (Green)	10	20	635/565	2.0
3	LED Red	4	8	700	2.0
5	LED Amber	35	50	610	2.0
6	LED Green	35	50	565	2.0
7	LED Super Blue	800	1,500	470	3.8
8	LED Bi-Color – Amber (Green)	10	10	585/565	2.0

\*LED FORWARD CURRENT: 20 mA

LED FORWARD VOLTAGE: see chart above

LED REVERSE VOLTAGE: 5.0 V MAX

\* For information on specific and custom LED, please contact Customer Service.



Dimensions are shown: Inches (mm)  
Specifications and dimensions subject to change

# ELUM™ Series Right Angle Illuminated Latching Pushbutton

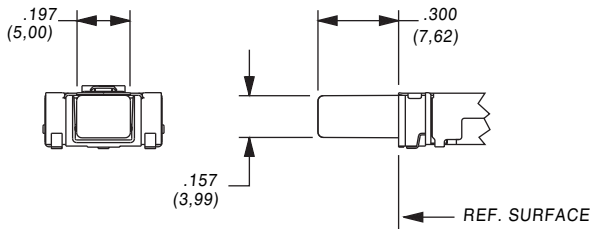


**A**  
Pushbutton

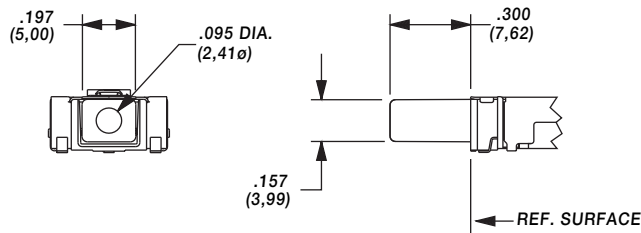
## ACTUATOR STYLE\*



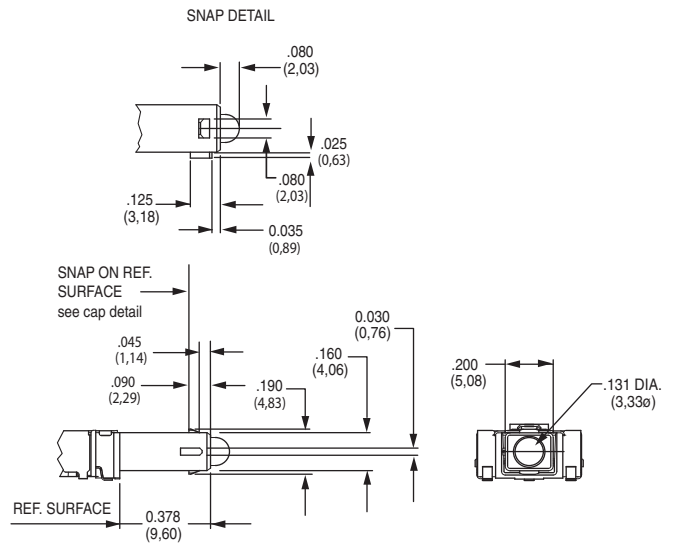
### C02 BLACK WITHOUT WINDOW



### C12 BLACK WITH WINDOW

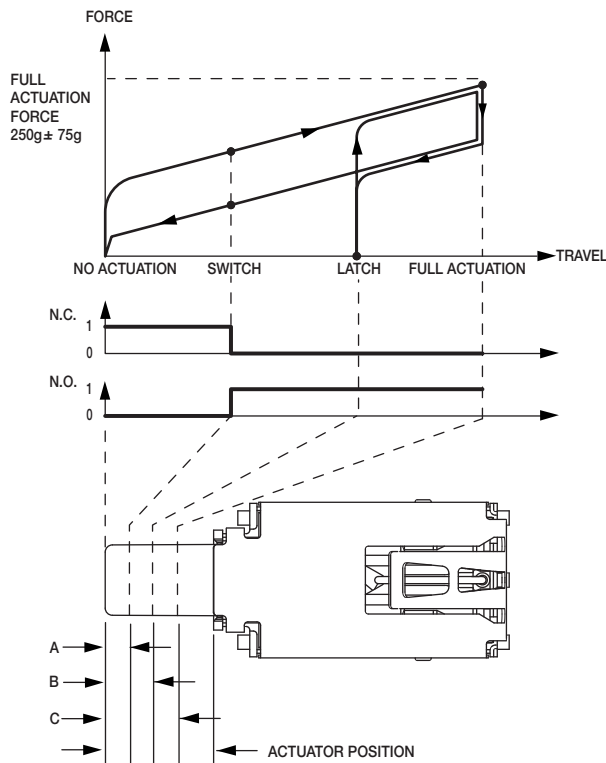


### C22 BLACK WITH WINDOW AND SNAP FEATURE TO ACCEPT CUSTOM CAP



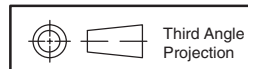
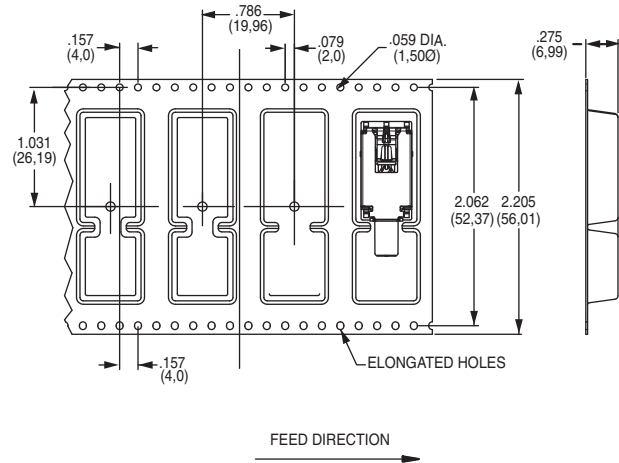
\* Custom actuators available, please contact Customer Service.

## FORCE TRAVEL DIAGRAM



OA, EE ACTUATOR POSITION			
A	SWITCH POINT	.067 ± .020	1,7 ± 0.5mm
B	LATCH	.131 ± .020	3,3 ± 0.5mm
C	FULL ACTUATION	.200 ± .020	5,1 ± 0.5mm
OC ACTUATOR POSITION			
A	SWITCH POINT	.067 ± .020	1,7 ± 0.5mm
C	FULL ACTUATION	.098 ± .020	2,5 ± 0.5mm

## TAPE & REEL



Third Angle  
Projection



Dimensions are shown: Inches (mm)  
Specifications and dimensions subject to change

www.ck-components.com



# ELUM™ Series Right Angle Illuminated Latching Pushbutton

## AVAILABLE HARDWARE

A  
Pushbutton

Cap



**PART NO.**

**957C00000** High temperature black cap with universal standby symbol

**956C02000** High temperature black cap with no symbol

Material: 4/6 Nylon SMT compatible

Cap



**PART NO.**

**181D01000** Paint and Laser Etched with black paint and universal standby symbol

Material: Clear polycarbonate

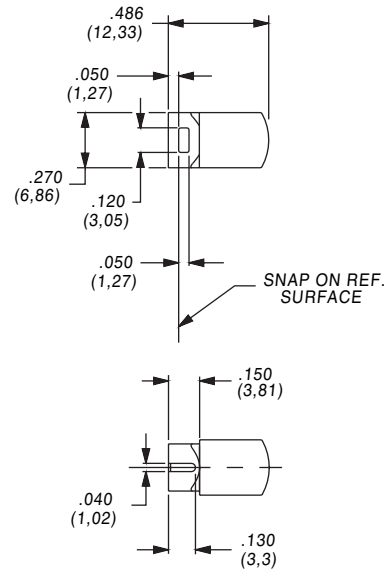
Cap



**PART NO.**

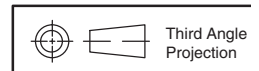
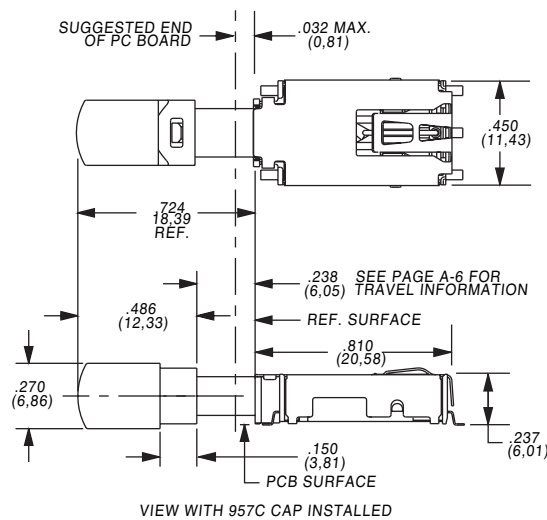
**181D00000** Paint and laser etched with white paint underlay and black paint with universal standby symbol.

Material: Clear polycarbonate



**NOTE:** Caps are for use with the C22 actuator style. Other colors and symbols available, consult Customer Service Center.

## CAP INSTALLATION



Dimensions are shown: Inches (mm)  
Specifications and dimensions subject to change