



Chipsmall Limited consists of a professional team with an average of over 10 year of expertise in the distribution of electronic components. Based in Hongkong, we have already established firm and mutual-benefit business relationships with customers from,Europe,America and south Asia,supplying obsolete and hard-to-find components to meet their specific needs.

With the principle of "Quality Parts,Customers Priority,Honest Operation,and Considerate Service",our business mainly focus on the distribution of electronic components. Line cards we deal with include Microchip,ALPS,ROHM,Xilinx,Pulse,ON,Everlight and Freescale. Main products comprise IC,Modules,Potentiometer,IC Socket,Relay,Connector.Our parts cover such applications as commercial,industrial, and automotives areas.

We are looking forward to setting up business relationship with you and hope to provide you with the best service and solution. Let us make a better world for our industry!



## Contact us

Tel: +86-755-8981 8866 Fax: +86-755-8427 6832

Email & Skype: info@chipsmall.com Web: www.chipsmall.com

Address: A1208, Overseas Decoration Building, #122 Zhenhua RD., Futian, Shenzhen, China



## SERIES 95C

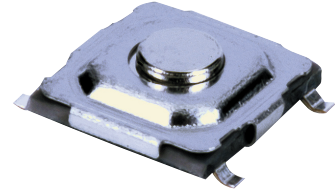
### 5mm Square

#### FEATURES

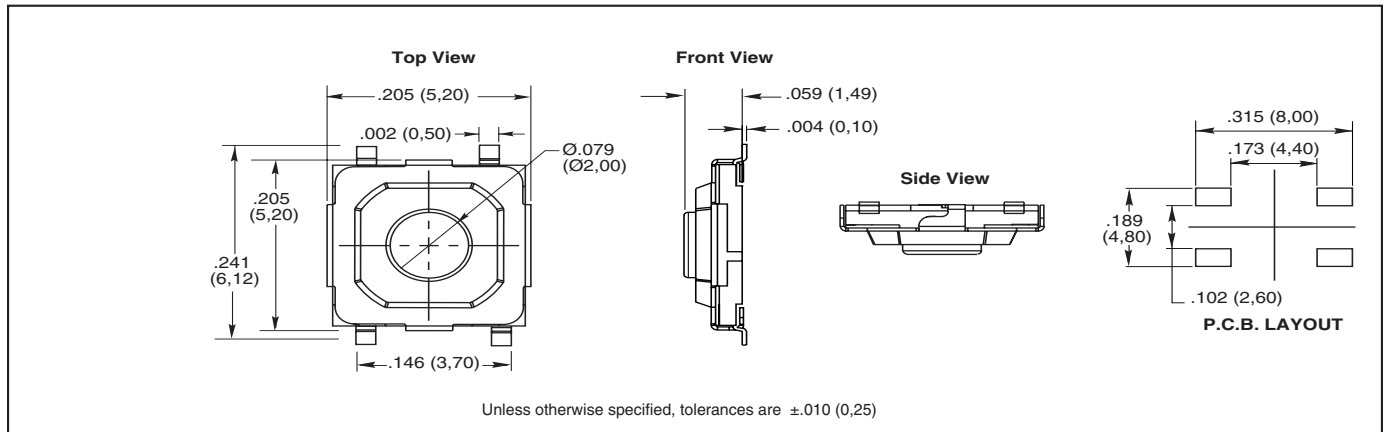
- Excellent Tactile Feedback
- Compatible with SMT Assembly Including Infrared and Vapor Phase
- Ultraminiature and Lightweight Structure Suitable for High Density Mounting

#### APPLICATIONS

Used in applications such as consumer electronics, audio equipment, PCs, VCRs, cable boxes, modems, communications equipment, controls, security and alarm equipment, and test and measurement equipment.



#### DIMENSIONS in inches (and millimeters)



#### SPECIFICATIONS

##### Materials

**Base:** UL94V-0 LCP thermoplastic

**Cover:** Nickel silver

**Actuator:** Brass with nickel-plating

**Terminal:** Brass with silver-plating

**Contact:** Stainless steel with silver-plating

##### Electrical

**Rating:** 50mA, 12 Vdc

**Life:** 160g: 1,000,000 cycles;

260g: 200,000 cycles

**Actuator Travel:** .010" + .008"/ - .004"

**Contact Resistance:** 100 mΩ max.

**Insulation Resistance:** 100 MΩ min. at 500Vdc

**Dielectric Strength:** No dielectric breakdown after 250V for one minute.

**Contact Arrangement:** single pole, single throw

##### Environmental

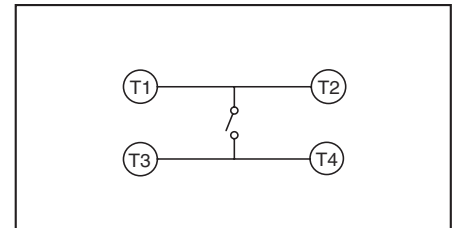
**Operating Temp. Range:** -25 to 70°C

**Storage Temp. Range:** -30 to 80°C

**Mechanical Shock:** MIL-STD-202F, Method 213B, Test Condition A. Gravity: 50G (peak value), 11 msec. Direction and times: 6 sides and 3 times in each direction.

**Vibration:** MIL-STD-202F, Method 201A. Passed 6 hours (2 hours in each) of three perpendicular planes at a cycle of 10-55-10Hz/minute.

#### CIRCUITRY



##### Soldering Process

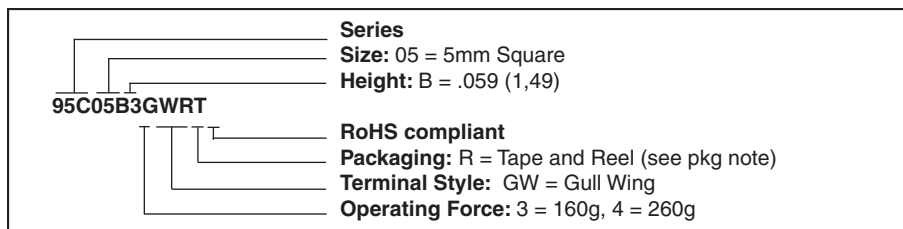
**Hand Soldering:** Use a soldering iron of 30 watts, controlled at 350°C for 5 seconds maximum while applying solder.

**Reflow Soldering:** Peak temperature 260°C (500°F).

##### Packaging

Tape and Reel: 4000 pcs/reel.

#### ORDERING INFORMATION



Available from your local Grayhill Component Distributor.

For prices and discounts, contact a local Sales Office, an authorized local distributor, or Grayhill.