



Chipsmall Limited consists of a professional team with an average of over 10 year of expertise in the distribution of electronic components. Based in Hongkong, we have already established firm and mutual-benefit business relationships with customers from,Europe,America and south Asia,supplying obsolete and hard-to-find components to meet their specific needs.

With the principle of “Quality Parts,Customers Priority,Honest Operation,and Considerate Service”,our business mainly focus on the distribution of electronic components. Line cards we deal with include Microchip,ALPS,ROHM,Xilinx,Pulse,ON,Everlight and Freescale. Main products comprise IC,Modules,Potentiometer,IC Socket,Relay,Connector.Our parts cover such applications as commercial,industrial, and automotives areas.

We are looking forward to setting up business relationship with you and hope to provide you with the best service and solution. Let us make a better world for our industry!



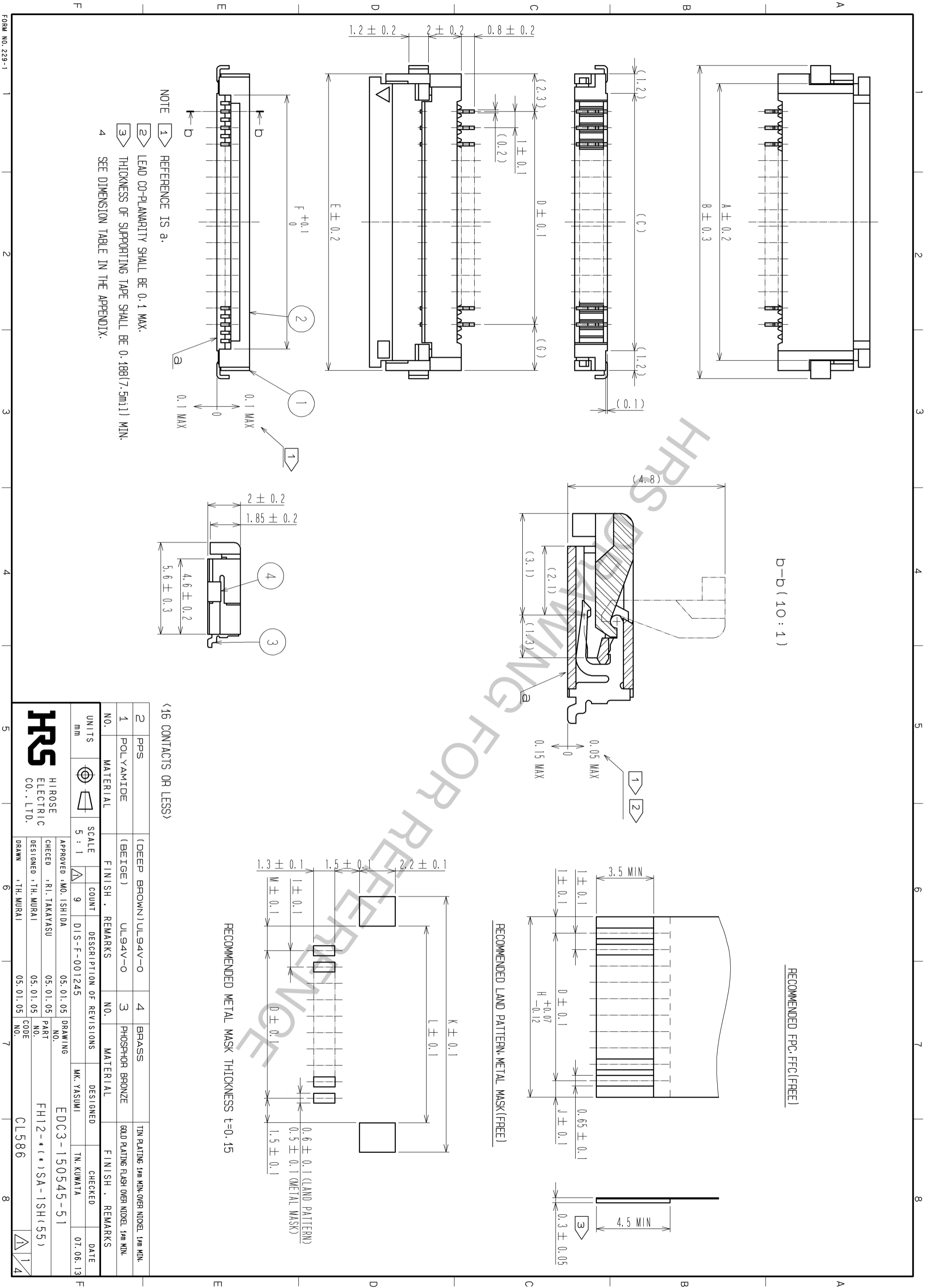
## Contact us

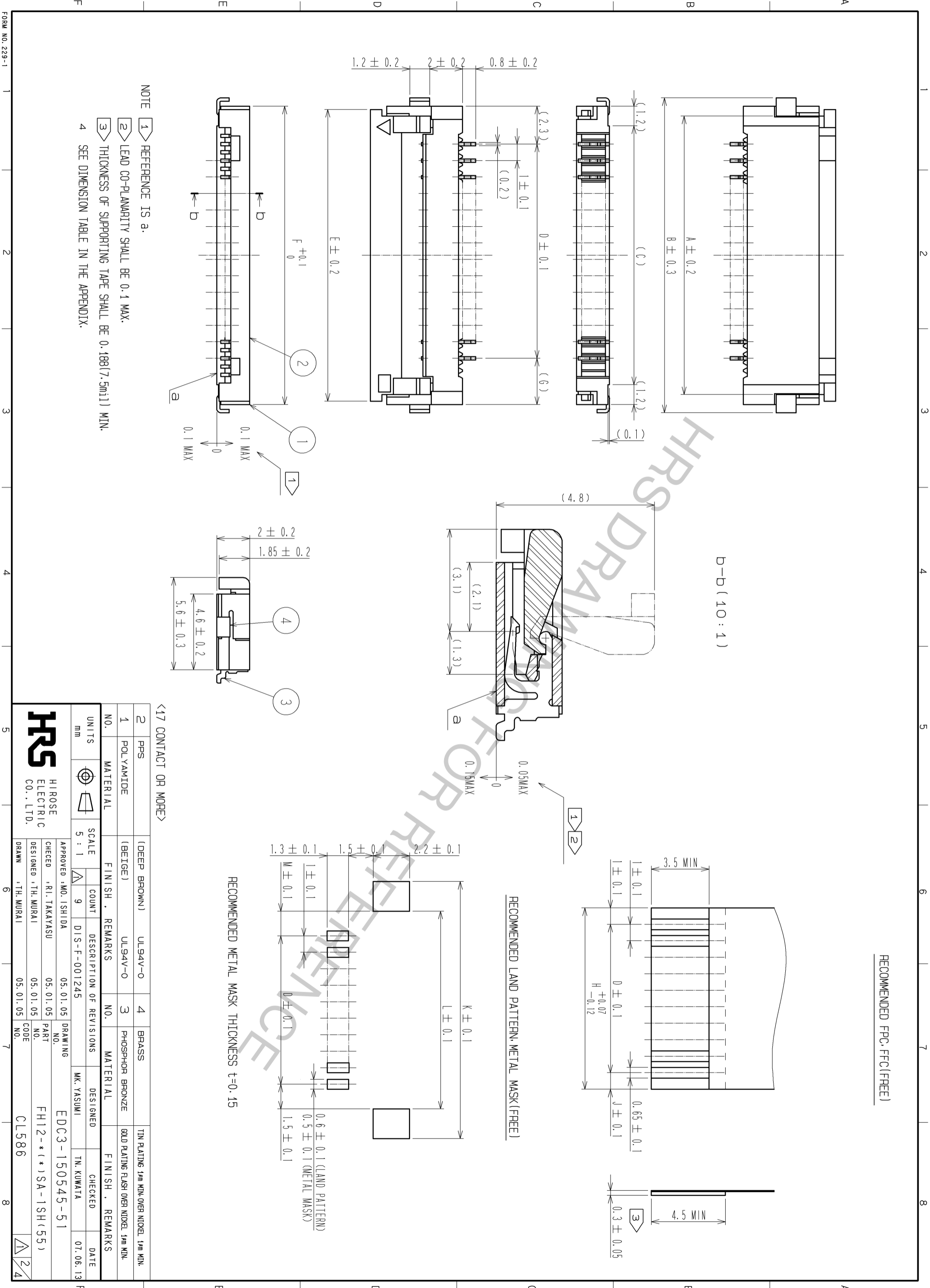
Tel: +86-755-8981 8866 Fax: +86-755-8427 6832

Email & Skype: info@chipsmall.com Web: www.chipsmall.com

Address: A1208, Overseas Decoration Building, #122 Zhenhua RD., Futian, Shenzhen, China

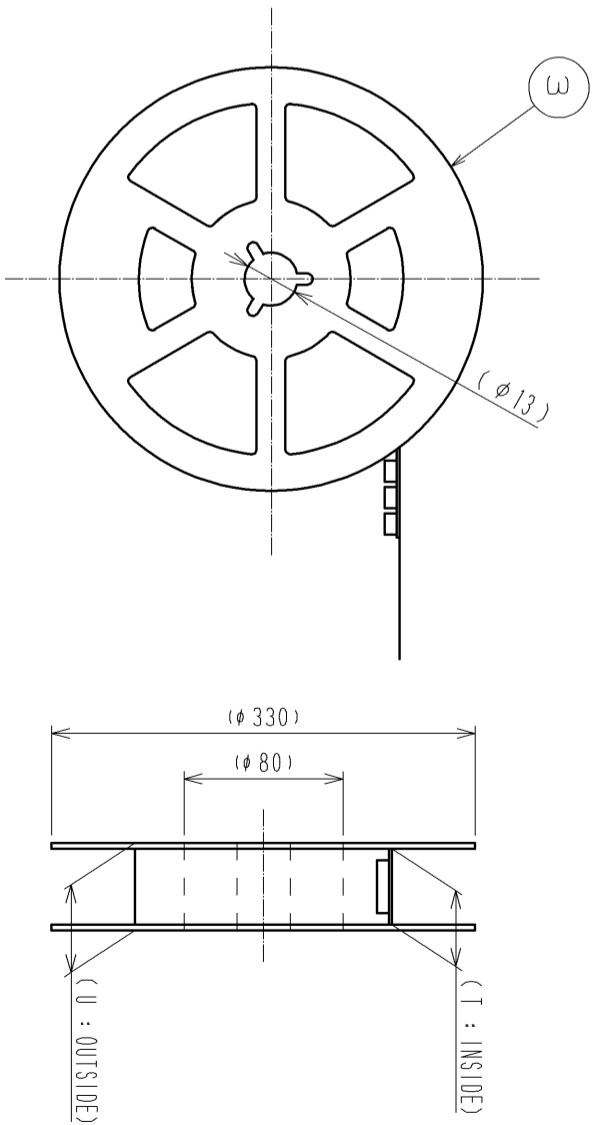
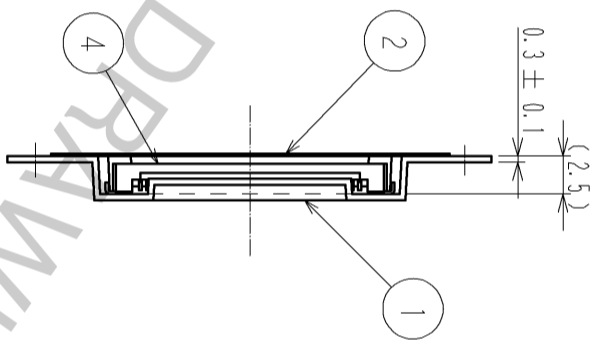
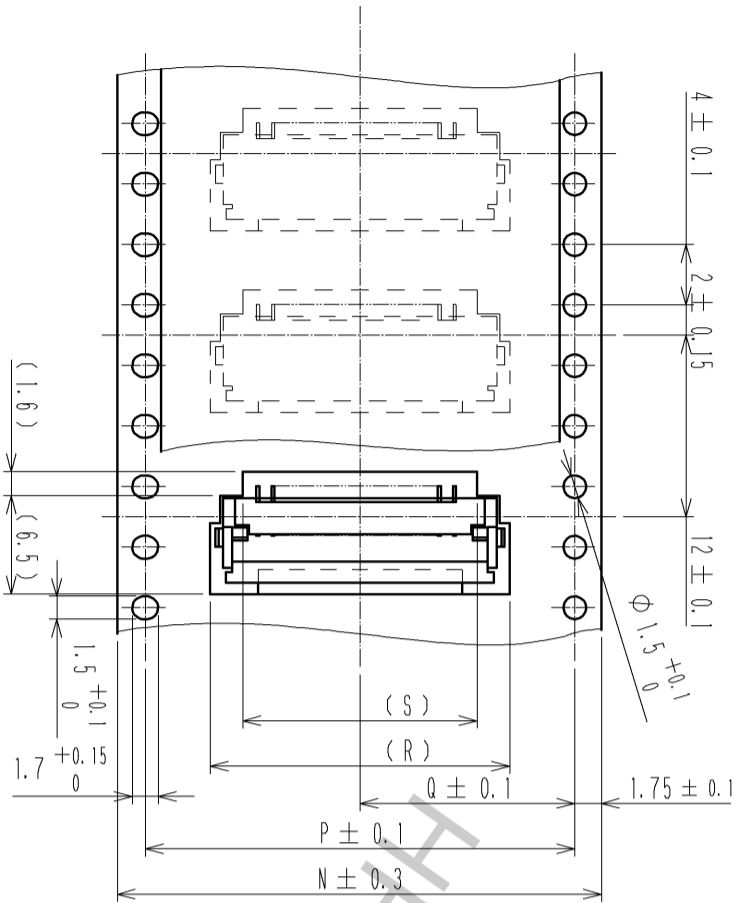






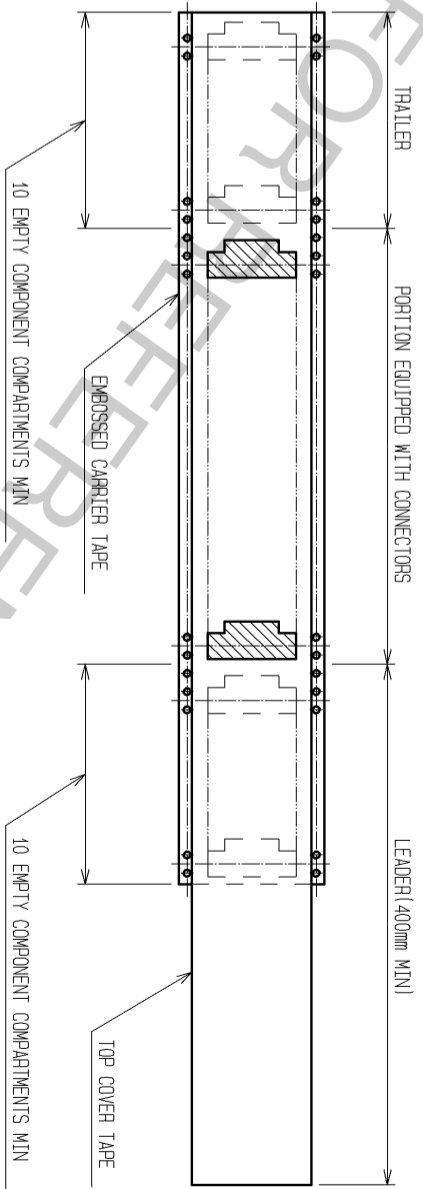
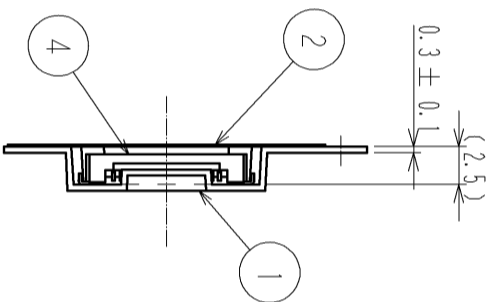
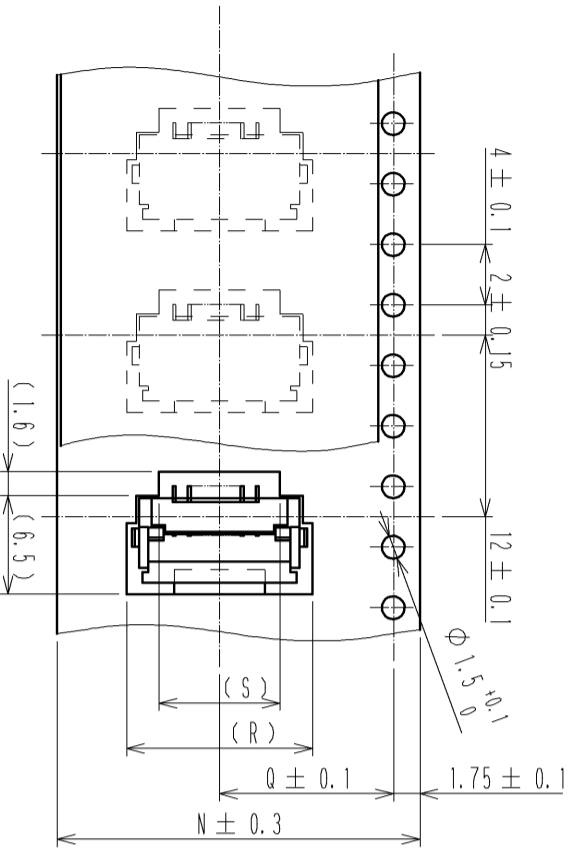
FORM NO. 229-1

TAPE WIDTH: 32mm MIN



△ REEL DIMENSION (SHOW AS BELOW) (FREE)

TAPE WIDTH: 24mm MAX



NOTE 1 THE DIMENSIONS IN PARENTHESES ARE FOR REFERENCE.  
 2 1 REEL : 2000 CONNECTORS.  
 3 SEE DIMENSION TABLE IN THE APPENDIX.

<DRAWING FOR PACKING>

NO.	MATERIAL	FINISH	REMARKS	NO.	MATERIAL	FINISH	REMARKS
1	POLYSTYRENE			3	POLYSTYRENE	△	
2	POLYESTER			4	(CONNECTOR)	△	

UNITS	SCALE	COUNT	DESCRIPTION OF REVISIONS	DESIGNED	CHECKED	DATE
mm	2 : 1	△	DIS-F-001245	MK. YASUMI	TN. KUWATA	07.06.13

APPROVED : MO. ISHIDA	05.01.05	DRAWING NO.	EDC3-150545-51
CHECKED : R.I. TAKAYASU	05.01.05	PART NO.	FH12-*(*)SA-1SH(55)
DESIGNED : TH. MURAI	05.01.05	CODE	CL586
DRAWN : TH. MURAI	05.01.05		



DIMENSION TABLE OF CONNECTOR, FPC, FFC, LAND PATTERN AND METAL MASK

PART NO.	CODE NO.	K	A	B	C	D	E	F	G	H	J	K	L	M
FH12-5S-1SH(55)	CL586-0591-6-55	5	7.4	9.6	6.2	4	8.6	6.07	2.3	6	1	10.6	7	1.5
FH12-6S-1SH(55)	CL586-0607-4-55	6	8.4	10.6	7.2	5	9.6	7.07	2.3	7	1	11.6	8	1.5
FH12-7S-1SH(55)	CL586-0535-5-55	7	9.4	11.6	8.2	6	10.6	8.07	2.3	8	1	12.6	9	1.5
FH12-8S-1SH(55)	CL586-0579-0-55	8	10.4	12.6	9.2	7	11.6	9.07	2.3	9	1	13.6	10	1.5
FH12-9S-1SH(55)	CL586-0540-5-55	9	11.4	13.6	10.2	8	12.6	10.07	2.3	10	1	14.6	11	1.5
FH12-11S-1SH(55)	CL586-0668-9-55	11	13.4	15.6	12.2	10	14.6	12.07	2.3	12	1	16.6	13	1.5
FH12-12S-1SH(55)	CL586-0741-7-55	12	14.4	16.6	13.2	11	15.6	13.07	2.3	13	1	17.6	14	1.5
FH12-16S-1SH(55)	CL586-0536-8-55	16	18.4	20.6	17.2	15	19.6	17.07	2.3	17	1	21.6	18	1.5
FH12-17S-1SH(55)	CL586-0739-5-55	17	19.4	21.6	18.2	16	20.6	18.07	2.3	18	1	22.6	19	1.5
FH12-22S-1SH(55)	CL586-0547-4-55	22	24.4	26.6	23.2	21	25.6	23.07	2.3	23	1	27.6	24	1.5
FH12-26S-1SH(55)	CL586-0592-9-55	26	28.9	30.6	27.2	25	29.6	27.07	2.3	27	1	31.6	28	1.5
FH12-10(4)SA-1SH(55)	CL586-0537-0-55	4	6.9	9.1	5.7	3	8.1	5.57	2.8	5.5	1.5	10.1	6.5	2
FH12-14(6)SA-1SH(55)	CL586-0538-3-55	6	8.9	11.1	7.7	5	10.1	7.57	2.8	7.5	1.5	12.1	8.5	2
FH12-18(8)SA-1SH(55)	CL586-0539-6-55	8	10.9	13.1	9.7	7	12.1	9.57	2.8	9.5	1.5	14.1	10.5	2
FH12-22(10)SA-1SH(55)	CL586-0541-8-55	10	12.9	15.1	11.7	9	14.1	11.57	2.8	11.5	1.5	16.1	12.5	2
FH12-24(11)SA-1SH(55)	CL586-0542-0-55	11	13.9	16.1	12.7	10	15.1	12.57	2.8	12.5	1.5	17.1	13.5	2
FH12-30(14)SA-1SH(55)	CL586-0543-3-55	14	16.9	19.1	15.7	13	18.1	15.57	2.8	15.5	1.5	20.1	16.5	2
FH12-40(19)SA-1SH(55)	CL586-0546-1-55	19	21.9	24.1	20.7	18	23.1	20.57	2.8	20.5	1.5	25.1	21.5	2
FH12-50(24)SA-1SH(55)	CL586-0548-7-55	24	26.9	29.1	25.7	23	28.1	25.57	2.8	25.5	1.5	30.1	26.5	2

DIMENSION TABLE OF DRAWING FOR PACKING

PART NO.	CODE NO.	K	N	P	Q	R	S	T	U
FH12-5S-1SH(55)	CL586-0591-6-55	5	16	—	7.5	10.3	6	17.4	21.4
FH12-6S-1SH(55)	CL586-0607-4-55	6	24	—	11.5	11.3	7	25.4	29.4
FH12-7S-1SH(55)	CL586-0535-5-55	7	24	—	11.5	12.3	8	25.4	29.4
FH12-8S-1SH(55)	CL586-0579-0-55	8	24	—	11.5	13.3	9	25.4	29.4
FH12-9S-1SH(55)	CL586-0540-5-55	9	24	—	11.5	14.3	10	25.4	29.4
FH12-11S-1SH(55)	CL586-0668-9-55	11	24	—	11.5	16.3	12	25.4	29.4
FH12-12S-1SH(55)	CL586-0741-7-55	12	24	—	11.5	17.3	13	25.4	29.4
FH12-16S-1SH(55)	CL586-0536-8-55	16	32	28.4	14.2	21.3	17	33.4	37.4
FH12-17S-1SH(55)	CL586-0739-5-55	17	44	40.4	20.2	22.3	18	45.4	49.4
FH12-22S-1SH(55)	CL586-0547-4-55	22	44	40.4	20.2	27.3	23	45.4	49.4
FH12-26S-1SH(55)	CL586-0592-9-55	26	44	40.4	20.2	31.3	27	45.4	49.4
FH12-10(4)SA-1SH(55)	CL586-0537-0-55	4	16	—	7.5	9.8	5.5	17.4	21.4
FH12-14(6)SA-1SH(55)	CL586-0538-3-55	6	24	—	11.5	11.8	7.5	25.4	29.4
FH12-18(8)SA-1SH(55)	CL586-0539-6-55	8	24	—	11.5	13.8	9.5	25.4	29.4
FH12-22(10)SA-1SH(55)	CL586-0541-8-55	10	24	—	11.5	15.8	11.5	25.4	29.4
FH12-24(11)SA-1SH(55)	CL586-0542-0-55	11	24	—	11.5	16.8	12.5	25.4	29.4
FH12-30(14)SA-1SH(55)	CL586-0543-3-55	14	32	28.4	14.2	19.8	15.5	33.4	37.4
FH12-40(19)SA-1SH(55)	CL586-0546-1-55	19	44	40.4	20.2	24.8	20.5	45.4	49.4
FH12-50(24)SA-1SH(55)	CL586-0548-7-55	24	44	40.4	20.2	29.8	25.5	45.4	49.4

\*: NUMBER OF CONTACT

FOR REFERENCE

NO.	MATERIAL	FINISH	REMARKS	NO.	MATERIAL	FINISH	REMARKS
UNITS	SCALE	COUNT	DESCRIPTION OF REVISIONS	DESIGNED	CHECKED	DATE	
mm	9	9	DIS-F-001245	MK. YASUMI	TN. KUWATA	07.06.13	
APPROVED: MO. ISHIDA	05.01.05	DRAWING	EDC3-150545-51				
CHECKED: R.I. TAKAYASU	05.01.05	PART	FH12-*(*)SA-1SH(55)				
DESIGNED: TH. MURAI	05.01.05	CODE	CL586				
DRAWN: TH. MURAI	05.01.05	NO.					