



Chipsmall Limited consists of a professional team with an average of over 10 year of expertise in the distribution of electronic components. Based in Hongkong, we have already established firm and mutual-benefit business relationships with customers from,Europe,America and south Asia,supplying obsolete and hard-to-find components to meet their specific needs.

With the principle of "Quality Parts,Customers Priority,Honest Operation,and Considerate Service",our business mainly focus on the distribution of electronic components. Line cards we deal with include Microchip,ALPS,ROHM,Xilinx,Pulse,ON,Everlight and Freescale. Main products comprise IC,Modules,Potentiometer,IC Socket,Relay,Connector.Our parts cover such applications as commercial,industrial, and automotives areas.

We are looking forward to setting up business relationship with you and hope to provide you with the best service and solution. Let us make a better world for our industry!



Contact us

Tel: +86-755-8981 8866 Fax: +86-755-8427 6832

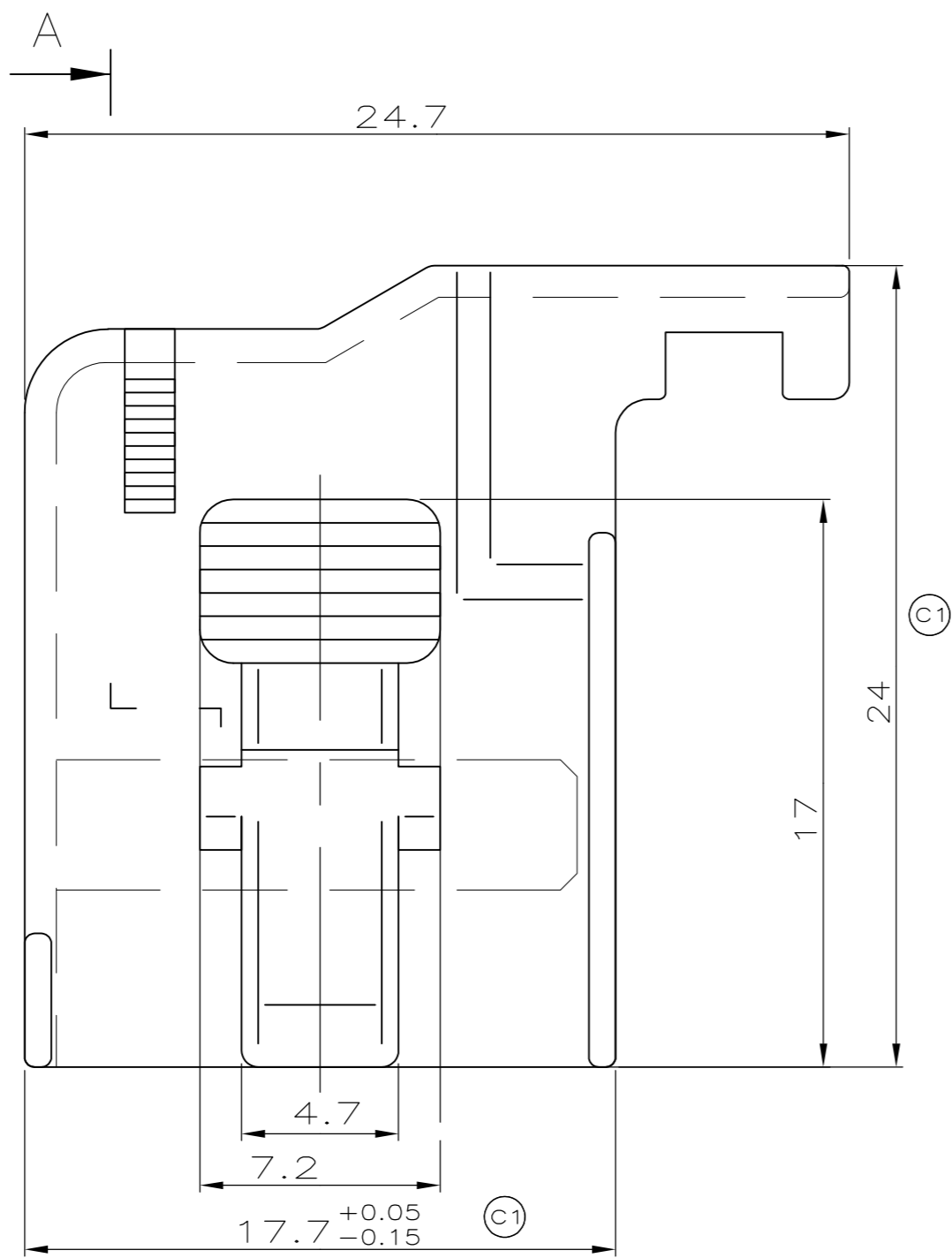
Email & Skype: info@chipsmall.com Web: www.chipsmall.com

Address: A1208, Overseas Decoration Building, #122 Zhenhua RD., Futian, Shenzhen, China

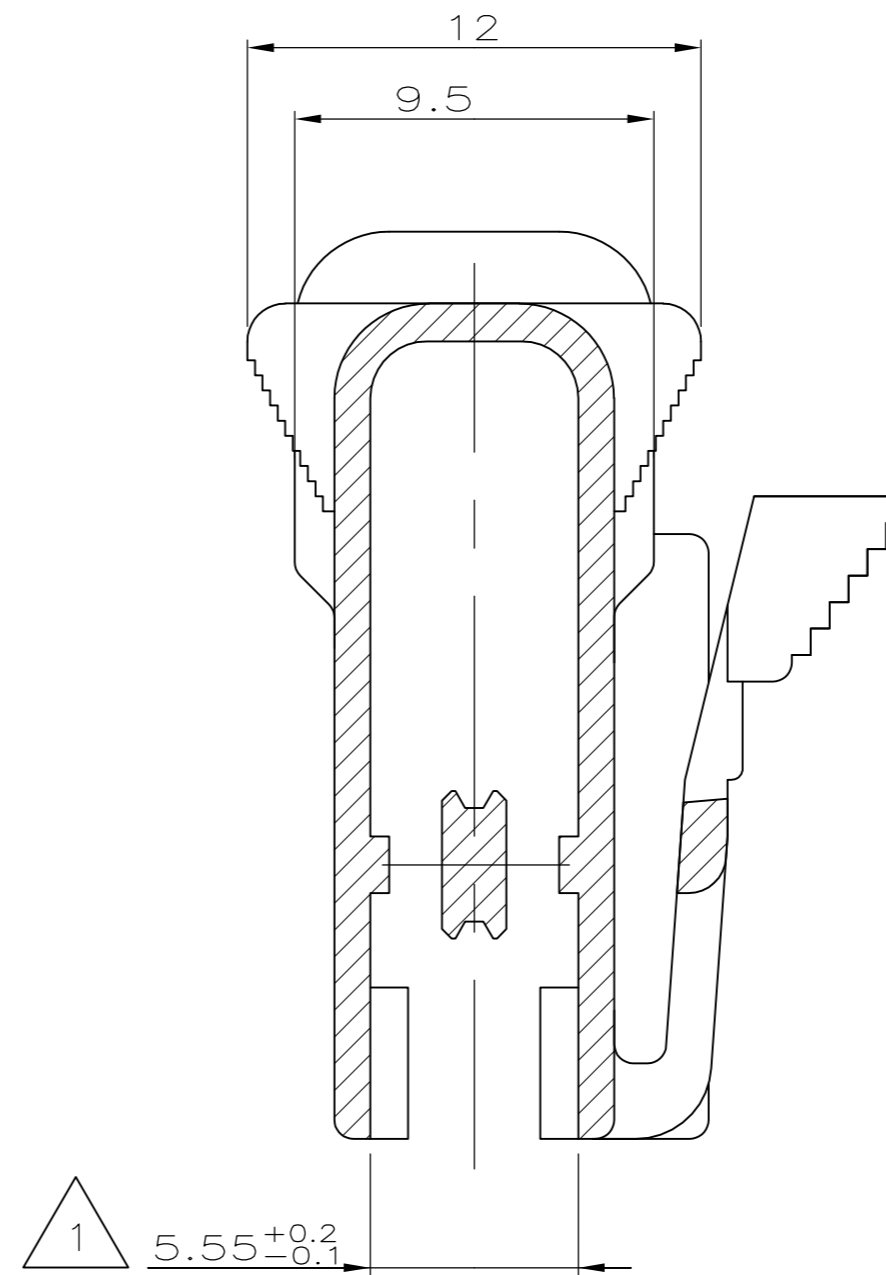


THIS DRAWING IS UNPUBLISHED. RELEASED FOR PUBLICATION
 © COPYRIGHT - By - ALL RIGHTS RESERVED.

LOC		DIST		REVISIONS			
P	LTR	DESCRIPTION		DATE	DWN	APVD	
C2		INCLINATION CHANGED TO 1.5MM [NOTE 1]		18AUG11	MHM	RP	



Schnitt A-D

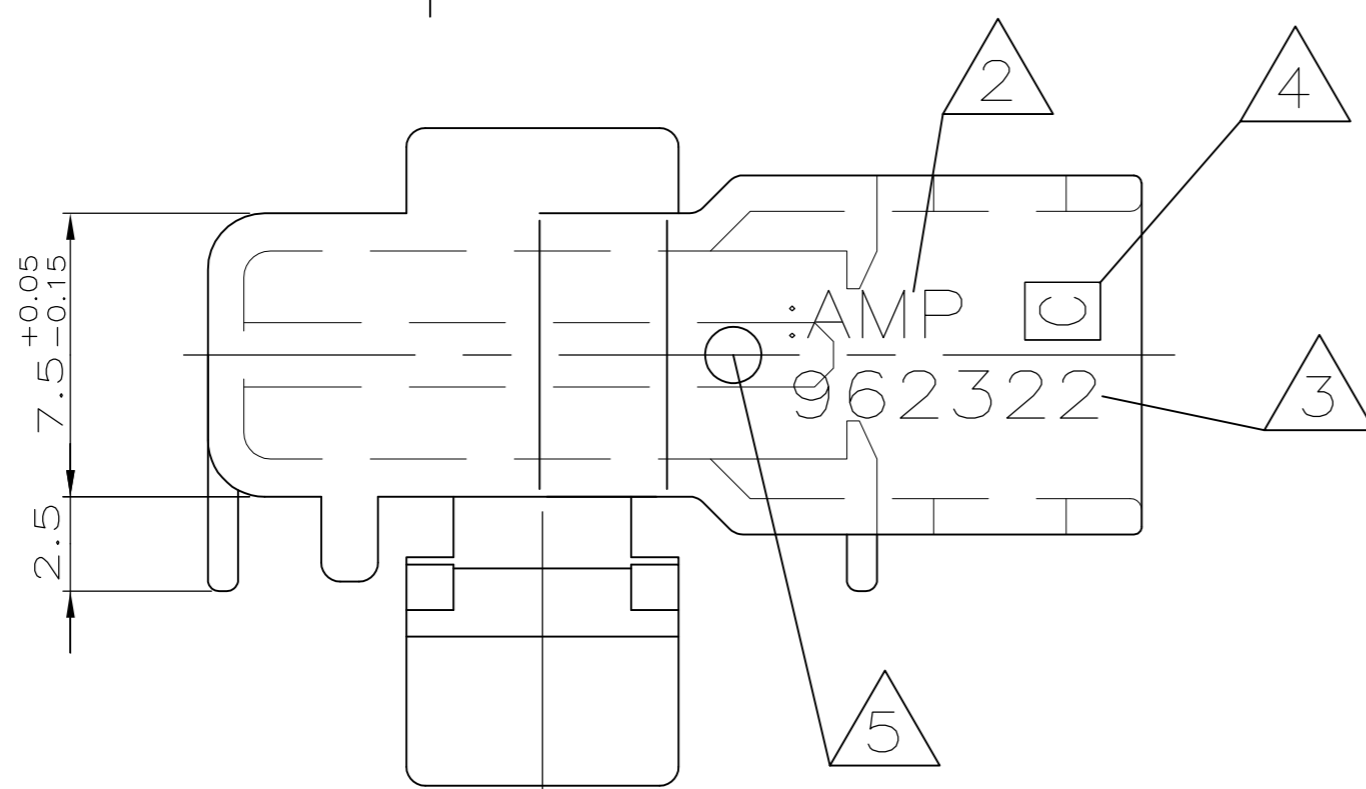


Bemerkungen
NOTES

- 1 Einfall bis 1.5mm zulässig
INCLINATION TO 1.5mm PERMITTED
- 2 AMP-Logo
AMP-LOGO
- 3 TE-Bestell-Nr.
TE ORDER NO.
- 4 Werkzeugänderungsindex
REVISION STATUS OF THE MOULD
- 5 Nestmarkierung
CAVITY MARKING

ONLY FOR OPEL

Muß mit Gehäuse TE-Nr. 0-962321-1 verwendet werden !
 MUST TO BE USED WITH HOUSING TE-NO. 0-962321-1 !



0-962322-1	C	1	1	ABDECKKAPE [COVER]	PA66	SCHWARZ [BLACK]
BESTELL-NR. [ORDER NO.]	REV	POS	STUCK	BENENNUNG EINZELTEIL [DESCRIPTION]	WERKSTOFF [MATERIAL]	OBERFLACHE FARBE [COLOR]

NUMMER	VERWENDET FÜR	WAR NR.
962322	962 231 1-89-52021-2	A89-52023-2

THIS DRAWING IS A CONTROLLED DOCUMENT.		DWN H.HERRMANN 11.07.89	TE Connectivity	
DIMENSIONS: mm		CHK D.JAKOBEIT 12.07.89		
TOLERANCES UNLESS OTHERWISE SPECIFIED:		APVD -	NAME COVER FOR 2X6 POS. MODU IV SOCKET HOUSING [ABDECKKAPE FUER 2X6 POL. MODU IV GEHAEUSE]	
0 PLC ± 0.2		PRODUCT SPEC -	SIZE A2	
1 PLC ± 0.2		APPLICATION SPEC -	CAGE CODE 00779	DRAWING NO. C=962322
2 PLC ± 0.2		WEIGHT -	RESTRICTED TO -	
3 PLC ± -		CUSTOMER DRAWING	SCALE 5:1	SHEET 1 of 1
4 PLC ± -			REV C2	
ANGLES ± 2°				
MATERIAL SEE TABLE	FINISH SEE TABLE			