



Chipsmall Limited consists of a professional team with an average of over 10 year of expertise in the distribution of electronic components. Based in Hongkong, we have already established firm and mutual-benefit business relationships with customers from,Europe,America and south Asia,supplying obsolete and hard-to-find components to meet their specific needs.

With the principle of “Quality Parts,Customers Priority,Honest Operation,and Considerate Service”,our business mainly focus on the distribution of electronic components. Line cards we deal with include Microchip,ALPS,ROHM,Xilinx,Pulse,ON,Everlight and Freescale. Main products comprise IC,Modules,Potentiometer,IC Socket,Relay,Connector.Our parts cover such applications as commercial,industrial, and automotives areas.

We are looking forward to setting up business relationship with you and hope to provide you with the best service and solution. Let us make a better world for our industry!



## Contact us

Tel: +86-755-8981 8866 Fax: +86-755-8427 6832

Email & Skype: info@chipsmall.com Web: www.chipsmall.com

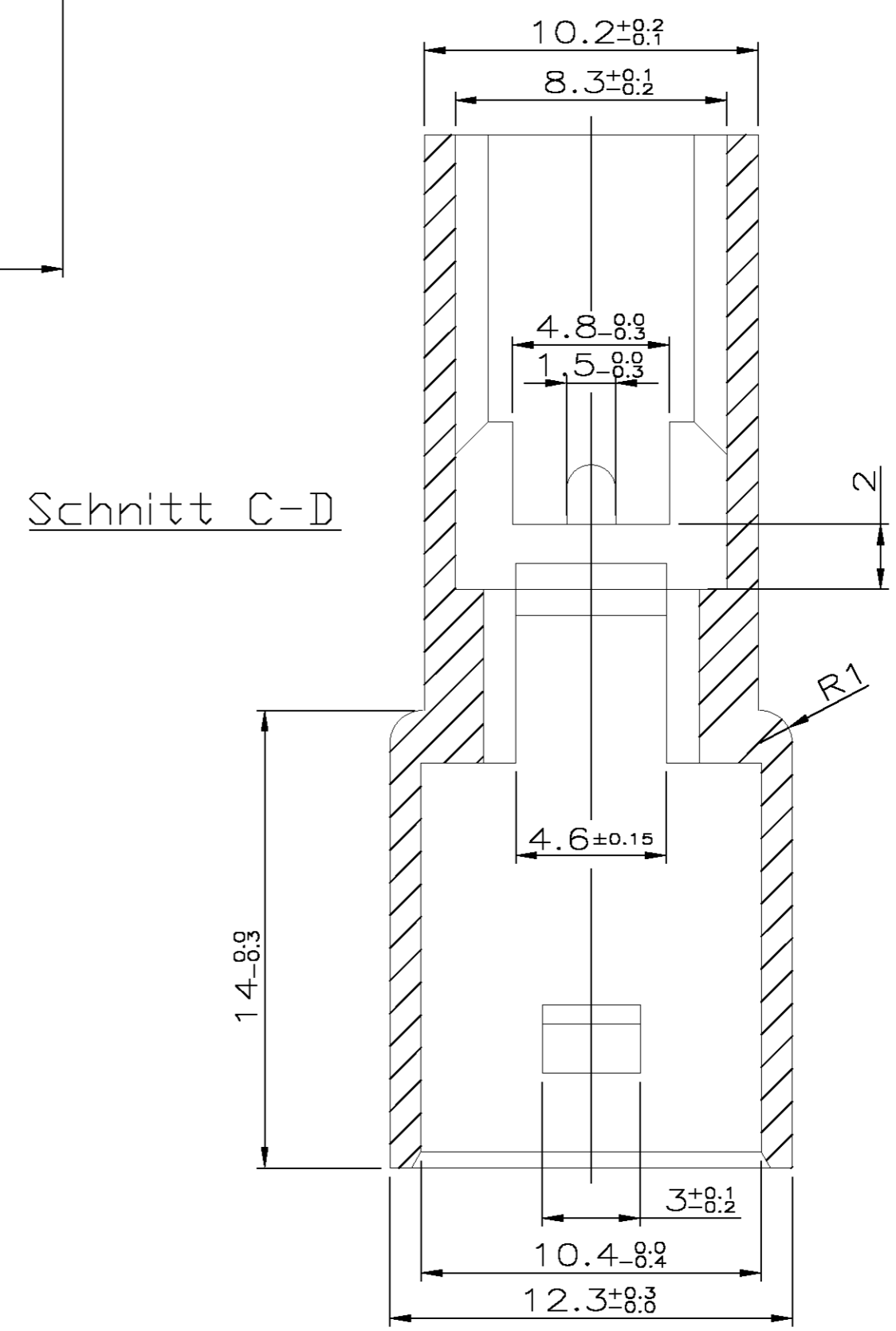
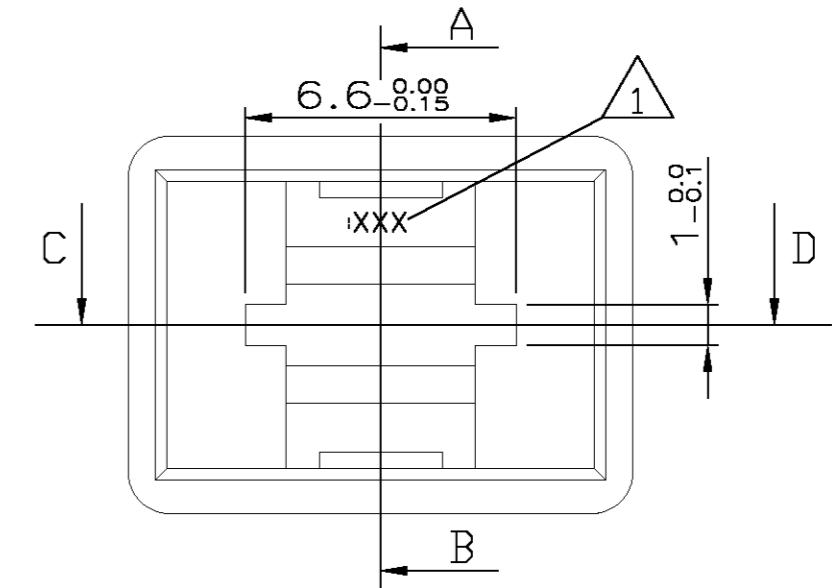
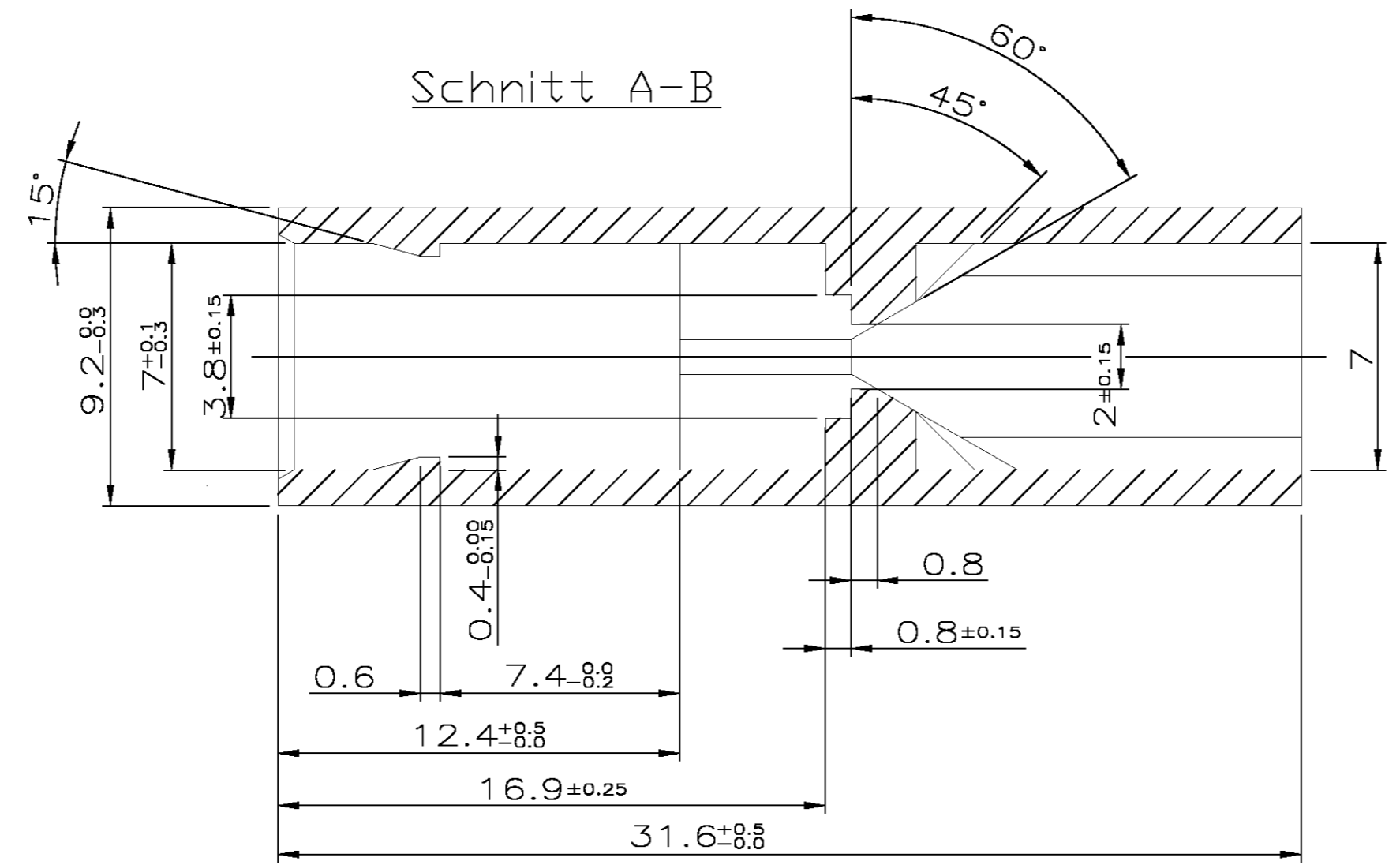
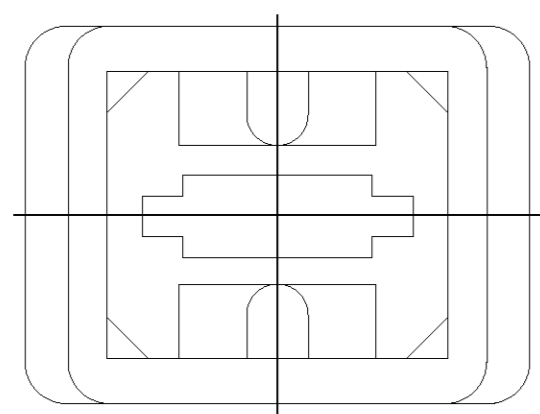
Address: A1208, Overseas Decoration Building, #122 Zhenhua RD., Futian, Shenzhen, China



THIS DRAWING IS UNPUBLISHED. RELEASED FOR PUBLICATION  
 © COPYRIGHT BY TYCO ELECTRONICS CORPORATION. ALL RIGHTS RESERVED.

LOC	DIST	REVISIONS			
P	LTR	DESCRIPTION	DATE	DWN	APVD
	A1	1-962496-0 OBSOLETE	19.02.04	Stredak	Bleicher
	C	CD updated to Production Drawing	29.07.04	Stredak	Bleicher
	C1	new drawing created	25.06.08	Kirschb.	Stredak

war 180916  
(Deutsche Version)



NOTES  
Bemerkungen

ART WORK LOGO  
Firmenlogo

1-962496-0	schwarz	Polycarbonat (Makrolon 6030)	OBSOLETE
962496-9	orange		
-8	violett		
-7	grau		
-6	braun		
-5	schwarz		
-4	gelb		
-3	blau		
-2	gruen		
-1	rot		
962496-0	natur	Zytel 101 F	
Bestell- Nr.	Farbe	Material	

THIS DRAWING IS A CONTROLLED DOCUMENT.

DIMENSIONS: mm	TOLERANCES UNLESS OTHERWISE SPECIFIED: ±0.2mm	DWN Richter 24APR1990	Tyco Electronics Tyco Electronics Corporation 64625 Bensheim; Germany	
	0 PLC ± - 1 PLC ± - 2 PLC ± - 3 PLC ± - 4 PLC ± - ANGLES ± °	CHK Stredak, F. 23JUN2008	NAME 1pol. FASTIN - FASTON Flachsteckergehaeuse	
MATERIAL	FINISH	APVD Bleicher, M. 25JUN2008	SIZE A2	RESTRICTED TO
		PRODUCT SPEC	CAGE CODE 00779	
		APPLICATION SPEC	DRAWING NO. C=962496	
		WEIGHT	SCALE 5:1	SHEET 1 of 1
		CUSTOMER DRAWING	REV C1	