



Chipsmall Limited consists of a professional team with an average of over 10 year of expertise in the distribution of electronic components. Based in Hongkong, we have already established firm and mutual-benefit business relationships with customers from,Europe,America and south Asia,supplying obsolete and hard-to-find components to meet their specific needs.

With the principle of “Quality Parts,Customers Priority,Honest Operation,and Considerate Service”,our business mainly focus on the distribution of electronic components. Line cards we deal with include Microchip,ALPS,ROHM,Xilinx,Pulse,ON,Everlight and Freescale. Main products comprise IC,Modules,Potentiometer,IC Socket,Relay,Connector.Our parts cover such applications as commercial,industrial, and automotives areas.

We are looking forward to setting up business relationship with you and hope to provide you with the best service and solution. Let us make a better world for our industry!



## Contact us

Tel: +86-755-8981 8866 Fax: +86-755-8427 6832

Email & Skype: info@chipsmall.com Web: www.chipsmall.com

Address: A1208, Overseas Decoration Building, #122 Zhenhua RD., Futian, Shenzhen, China



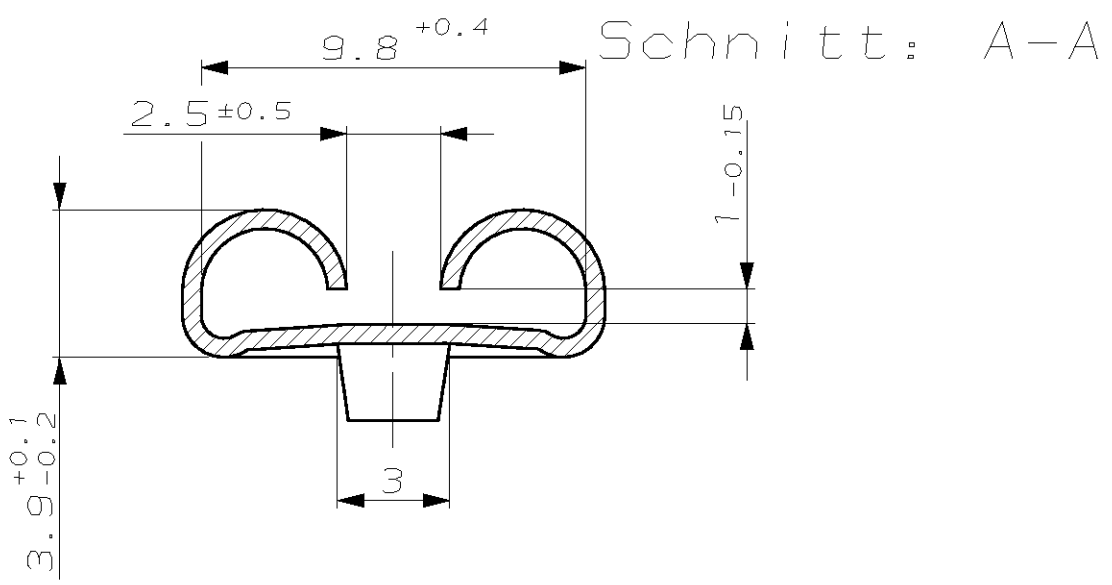
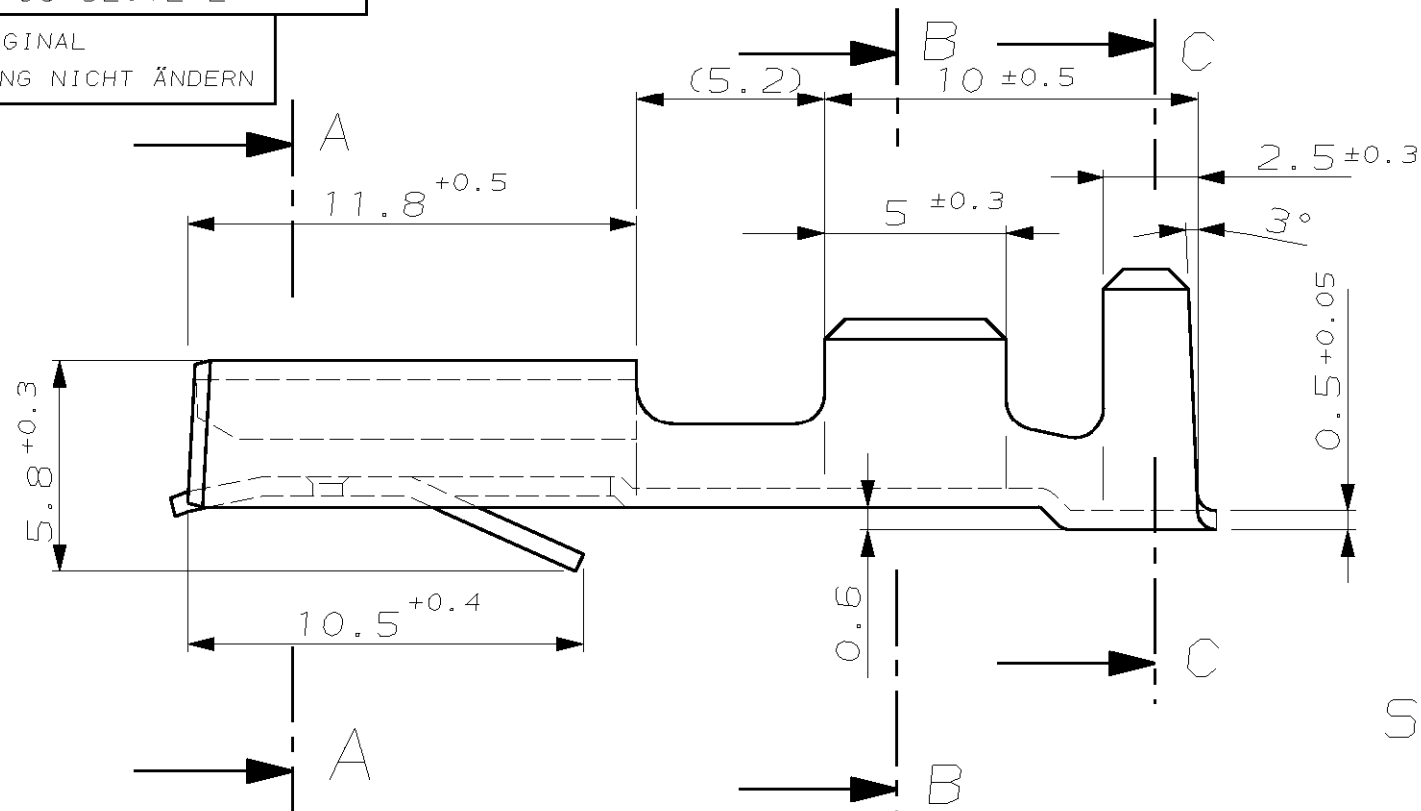
NUMMER 962834  
 VERWENDET FÜR -  
 WAR NR. 88-52012-2

ÄNDERUNGEN DIE DEM TECH-  
 NISCHEN FORTSCHRITT DIENEN,  
 BEHALTEN WIR UNS VOR

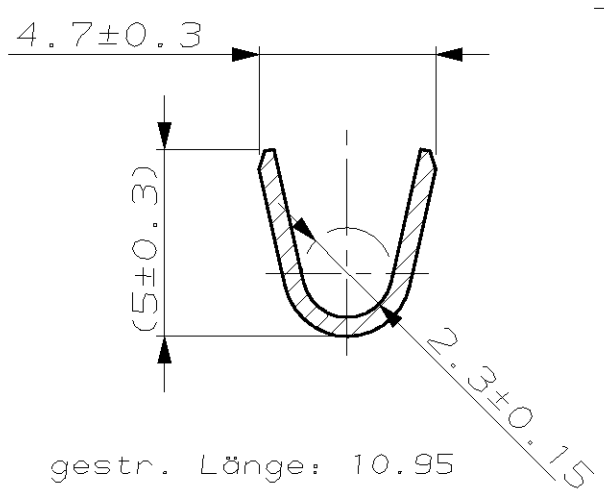
ZEICHNUNG GESCHÜTZT DURCH  
 ©COPYRIGHT 1988  
 AMP DEUTSCHLAND GMBH  
 ALLE RECHTE VORBEHALTEN

REV.	ÄNDERUNG	DATUM	NAME
F	Revisionsstand angeglichen	21-AUG-97	T.Bersch

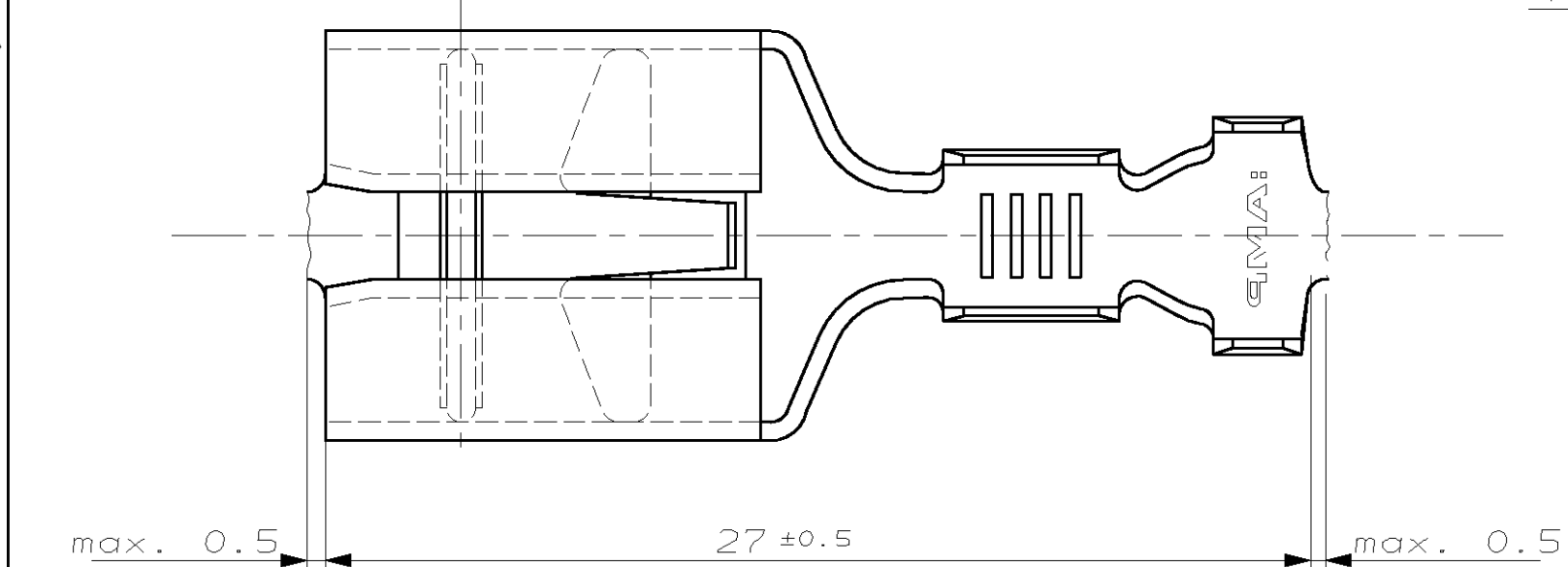
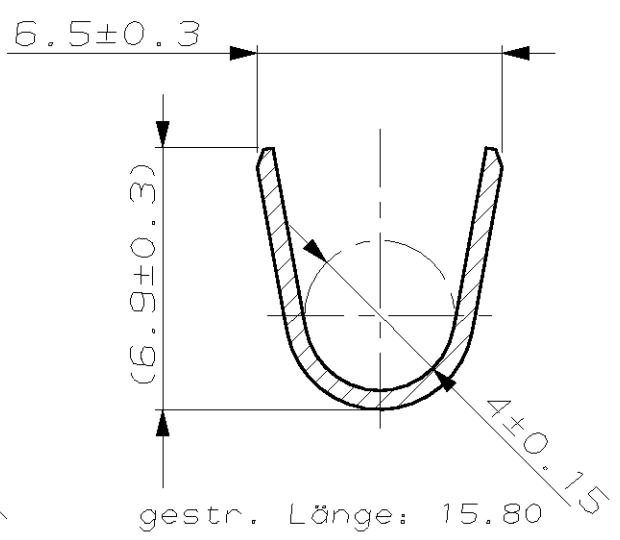
CAD-ORIGINAL  
 ZEICHNUNG NICHT ÄNDERN



Schnitt: B-B



Schnitt: C-C



Drahtgrößenbereich: >2.5-4 mm<sup>2</sup>  
 Isolations-Ø: 3.3-4.5 mm

Leitungsquerschnitt in mm <sup>2</sup>		1.5	2.0	2.5	3.0	4.0
1.0	Einzelanschlag			X		
1.5		X				
2.0						
2.5						
3.0						
4.0		X				

963843-2	962834-2	CuSn4	3µm Ag
963843-1	962834-1	CuSn4	blank
BESTELL-NR. Einzelanführung	BESTELL-NR. Bandware	WERKSTOFF	OBERFLÄCHE FARBE
GEZ. G.KORB	07.12.90	GEPR. 0.GELTSCH	10.12.90

ZEICHNUNG GÜLTIG AB .....			
<b>AMP</b>		AMP DEUTSCHLAND G.m.b.H. Langen b.Ffm., West Germany	
BENENNUNG F.F. Steckhülse Serie 9.5			
NICHT TOLERIERTE MASSE ± 0.2 ± 2°		FORMAT A3	ZEICHNUNGS-NR. 962834
MASSTAB 5:1	BLATT 1 VON 1	REV. F	

**K**