



Chipsmall Limited consists of a professional team with an average of over 10 year of expertise in the distribution of electronic components. Based in Hongkong, we have already established firm and mutual-benefit business relationships with customers from,Europe,America and south Asia,supplying obsolete and hard-to-find components to meet their specific needs.

With the principle of “Quality Parts,Customers Priority,Honest Operation,and Considerate Service”,our business mainly focus on the distribution of electronic components. Line cards we deal with include Microchip,ALPS,ROHM,Xilinx,Pulse,ON,Everlight and Freescale. Main products comprise IC,Modules,Potentiometer,IC Socket,Relay,Connector.Our parts cover such applications as commercial,industrial, and automotives areas.

We are looking forward to setting up business relationship with you and hope to provide you with the best service and solution. Let us make a better world for our industry!



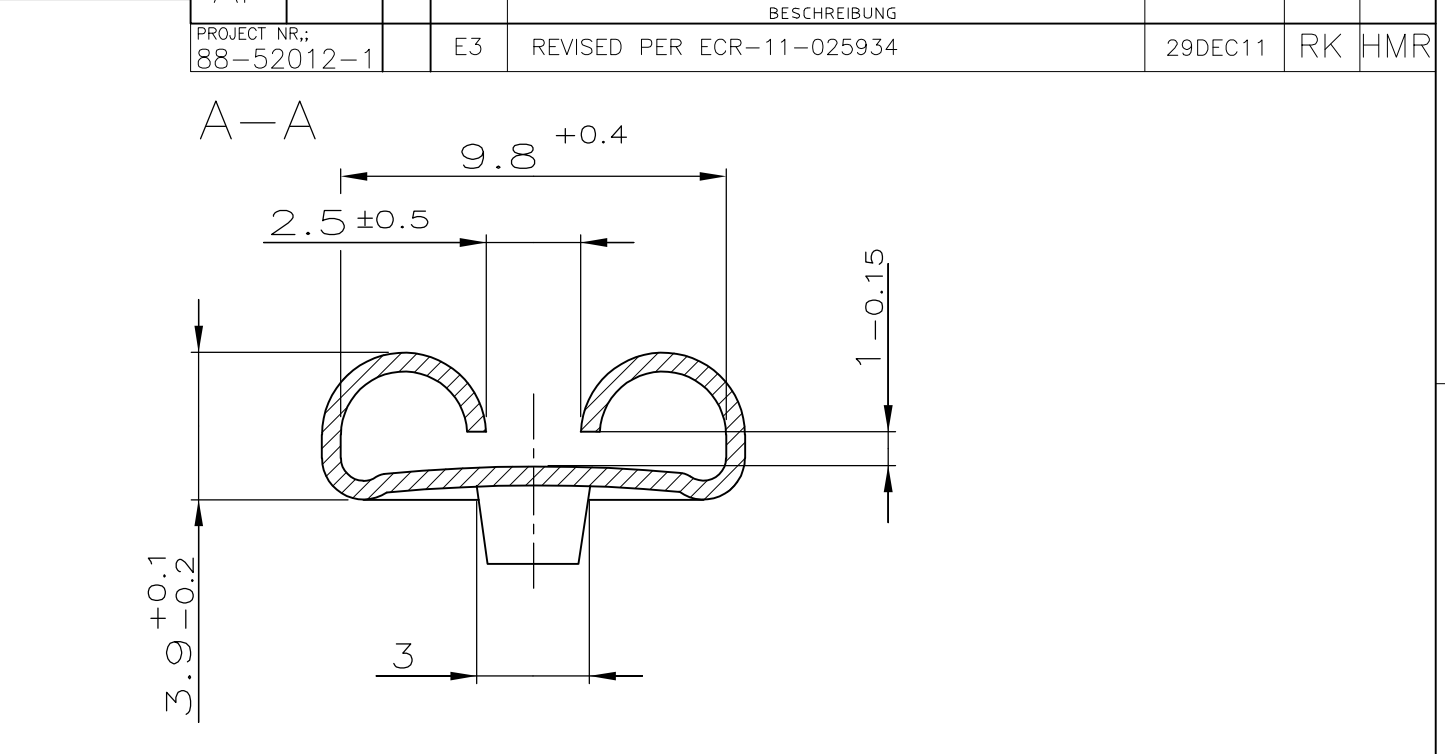
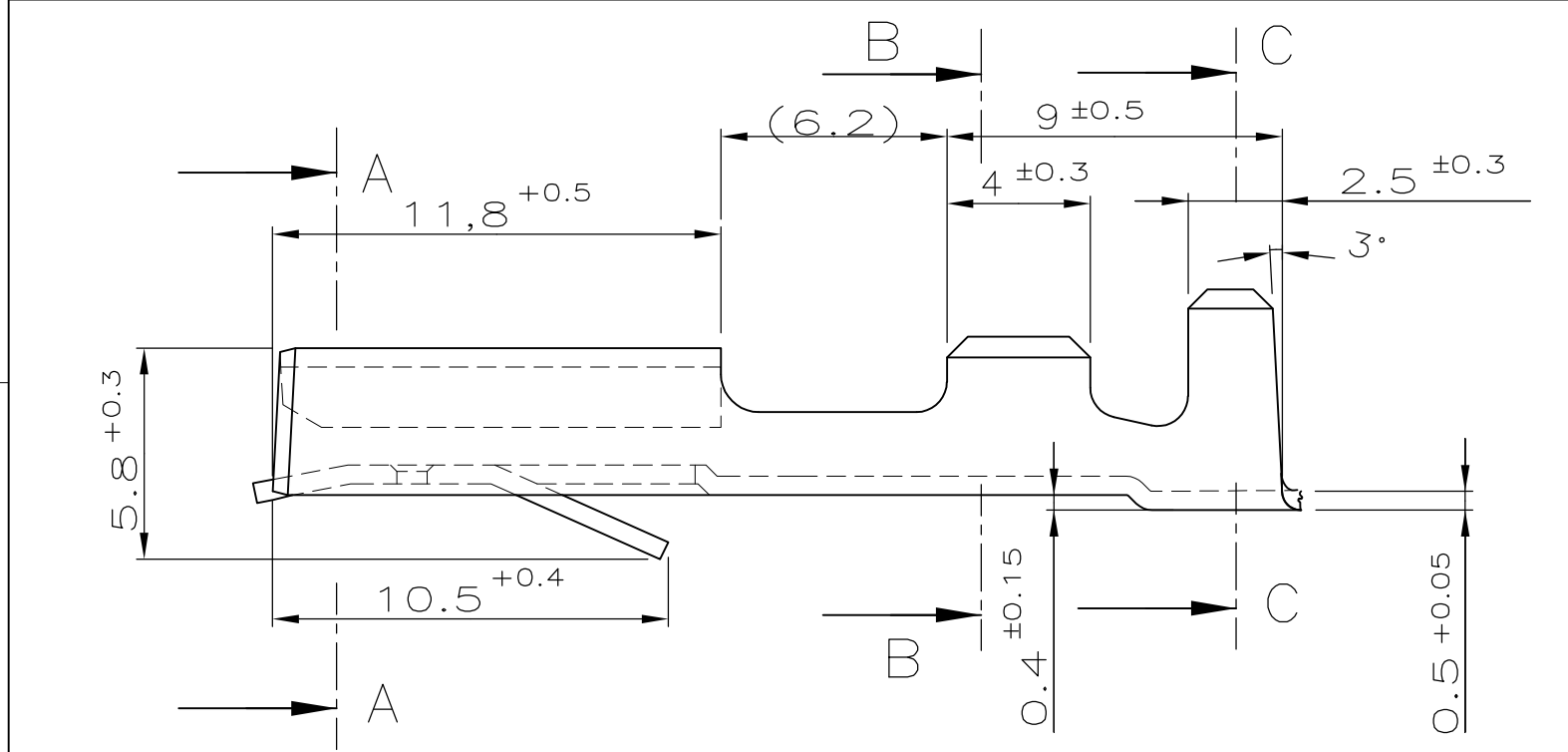
Contact us

Tel: +86-755-8981 8866 Fax: +86-755-8427 6832

Email & Skype: info@chipsmall.com Web: www.chipsmall.com

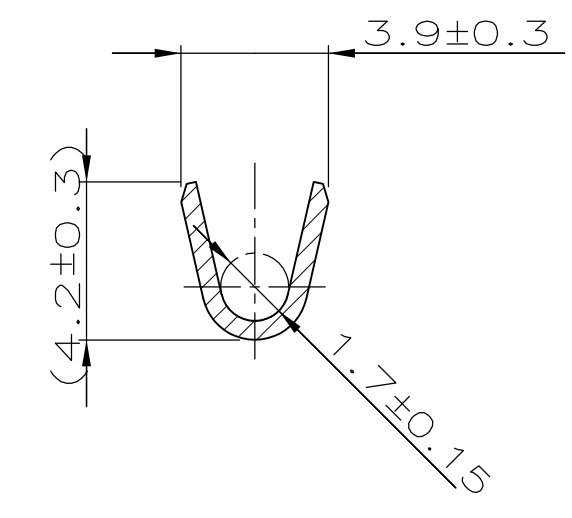
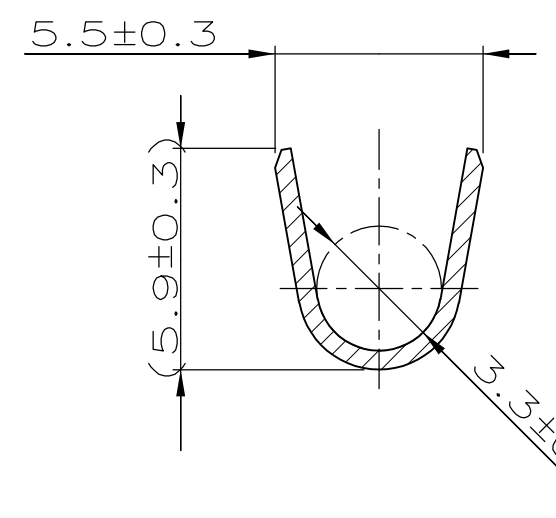
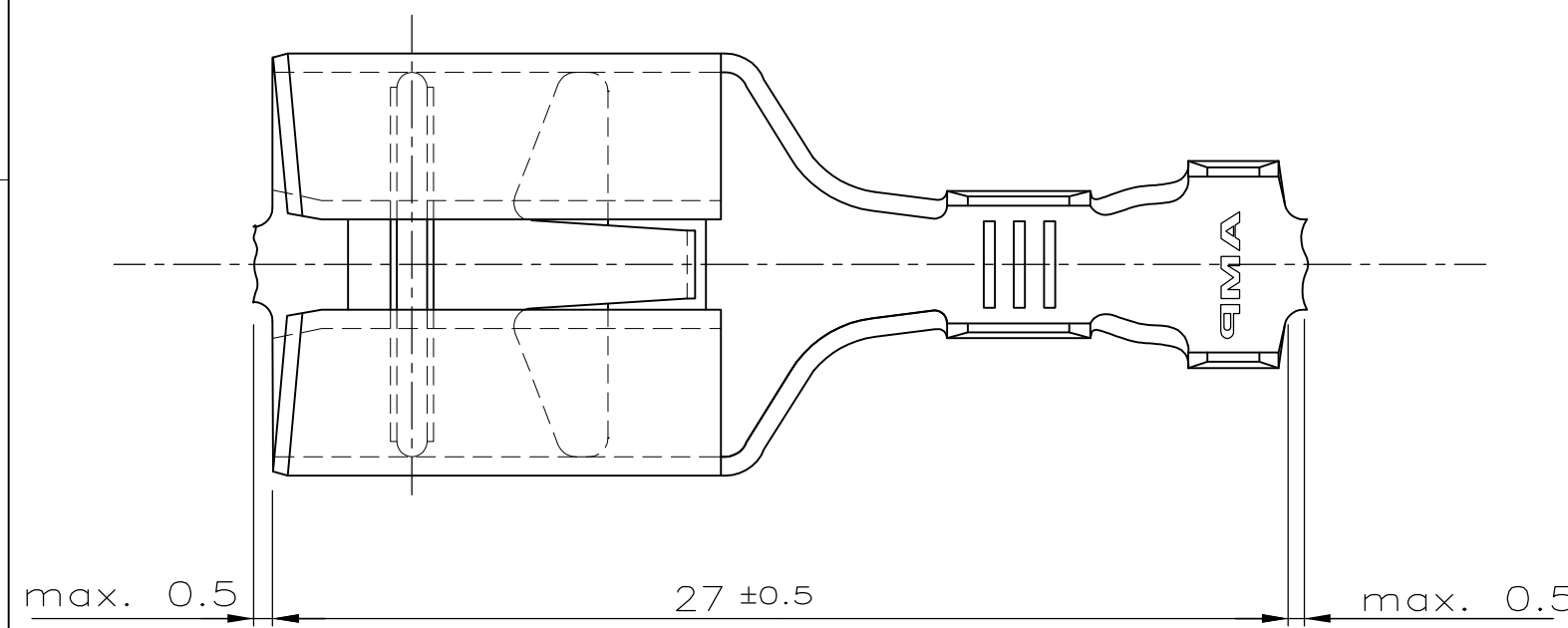
Address: A1208, Overseas Decoration Building, #122 Zhenhua RD., Futian, Shenzhen, China





Schnitt: C-C

Schnitt: B-B



Drahtgröß enbereich: >1.0-2.5 mm²
 Isolations-Ø: 2.4-3.7 mm

Leitungsquerschnitt in mm ² CROSS-SECTION IN mm ²		mit			
Doppelanschlag Kombinationen		0.50	1.00	1.50	2.50
von					
CONNECTION Einzelanschlag	0.50			X	
	1.00	X	X	X	
	1.50	X	X		
	2.50				

TE CONNECTIVITY PART NO LOOSE PIECE	TE CONNECTIVITY PART NO	REV.	PCS.	MATERIAL	SURFACE COLOR	DESCRIPTION	ITEM NO
963827-3	962835-3	E	-	CuSn4	min 1µm Sn	Steckhuelse, Serie 9.5mm	-
963827-2	962835-2	E	-	CuSn4	versilbert, 3µm Ag	Steckhuelse, Serie 9.5mm	-
963827-1	962835-1	E	-	CuSn4	blank	Steckhuelse, Serie 9.5mm	-

THIS DRAWING IS A CONTROLLED DOCUMENT. DIESE ZEICHNUNG IST EIN KONTROLLIERTES DOKUMENT.

DIMENSIONS: DIMENSIONEN mm

TOLERANCES UNLESS OTHERWISE SPECIFIED: ALL GEMEINTOLERANZEN
 n. ISO 2768-MS
 n. ISO 9001-14.0

0 PLC ±
 1 PLC ± 0.2
 2 PLC ± -
 3 PLC ± -
 4 PLC ± -
 ANGLES / WINKEL ± 2'

MATERIAL: CuSn4
 FINISH / OBERFLAECHE / FARBE: SEE TABLE siehe Tabelle

DWN: R. Schaefer 16-SEP-03
 CHK: U. Muenk 31OCT2003
 APVD: S. Glaser 31OCT2003

NAME: FASTIN FASTON RECEPTACLE, SERIES 9.5mm
 Fastin Faston Steckhuelse, Serie 9.5mm

PRODUCT SPEC: 108-18149
 APPLICATION SPEC: 114-18022

WEIGHT: 1.7 g

SIZE: A3
 CAGE CODE: 00779
 DRAWING NO: G-962835

RESTRICTED TO NUR FUER: -

CUSTOMER DRAWING / KUNDENZEICHNUNG
 SCALE: MASSTAB 5:1
 SHEET: BLATT 1 OF VON 1
 REV: E3