



Chipsmall Limited consists of a professional team with an average of over 10 year of expertise in the distribution of electronic components. Based in Hongkong, we have already established firm and mutual-benefit business relationships with customers from,Europe,America and south Asia,supplying obsolete and hard-to-find components to meet their specific needs.

With the principle of “Quality Parts,Customers Priority,Honest Operation,and Considerate Service”,our business mainly focus on the distribution of electronic components. Line cards we deal with include Microchip,ALPS,ROHM,Xilinx,Pulse,ON,Everlight and Freescale. Main products comprise IC,Modules,Potentiometer,IC Socket,Relay,Connector.Our parts cover such applications as commercial,industrial, and automotives areas.

We are looking forward to setting up business relationship with you and hope to provide you with the best service and solution. Let us make a better world for our industry!



## Contact us

Tel: +86-755-8981 8866 Fax: +86-755-8427 6832

Email & Skype: info@chipsmall.com Web: www.chipsmall.com

Address: A1208, Overseas Decoration Building, #122 Zhenhua RD., Futian, Shenzhen, China



REVISIONS					
P	LTR	DESCRIPTION	DATE	DWN	APVD
	B1	Mass $\varnothing 2.55+0.15$ war $\varnothing 2.7\pm 0.15$	08JUL93	—	R.Schäfer
	B2	INFORMATION TRANSFERRED TO PGD 2294553	10MAY2016	MR	—


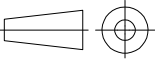
**FOR LATEST INFORMATION OF THE PRODUCT REFER TO  
 PRODUCT GROUP DRAWING  
 2294553  
 FUER DIE AKTUELLSTEN INFORMATIONEN ZUM PRODUKT  
 SIEHE PRODUKT-GRUPPENZEICHNUNG  
 2294553**

RELEASED FOR PUBLICATION

ALL RIGHTS RESERVED.

© COPYRIGHT - By Tyco Electronics Corporation

THIS DRAWING IS UNPUBLISHED.

DIMENSIONS: mm  TOLERANCES UNLESS OTHERWISE SPECIFIED: $\pm 0.2\text{mm}$ $\pm 1.5^\circ$ <del>                     0 PLC <math>\pm</math>                      1 PLC <math>\pm -</math>                      2 PLC <math>\pm -</math>                      3 PLC <math>\pm -</math>                      4 PLC <math>\pm -</math>                      ANGLES <math>\pm -</math> </del>	DWN D.Bozzer 21JUL1992	MATERIAL —	FINISH —	
	CHK U.Münk 11JUL1994	 TE Connectivity		
APVD —	NAME $\varnothing 2.5\text{mm}$ SOCKET-CONTACT BUCHSEN-KONTAKT			
PRODUCT SPEC —	SIZE A4	CAGE CODE 00779	DRAWING NO C-962854	RESTRICTED TO —
APPLICATION SPEC —	WEIGHT CUSTOMER DRAWING			
	SCALE NTS	SHEET 1 OF 1	REV B2	