



Chipsmall Limited consists of a professional team with an average of over 10 year of expertise in the distribution of electronic components. Based in Hongkong, we have already established firm and mutual-benefit business relationships with customers from,Europe,America and south Asia,supplying obsolete and hard-to-find components to meet their specific needs.

With the principle of “Quality Parts,Customers Priority,Honest Operation,and Considerate Service”,our business mainly focus on the distribution of electronic components. Line cards we deal with include Microchip,ALPS,ROHM,Xilinx,Pulse,ON,Everlight and Freescale. Main products comprise IC,Modules,Potentiometer,IC Socket,Relay,Connector.Our parts cover such applications as commercial,industrial, and automotives areas.

We are looking forward to setting up business relationship with you and hope to provide you with the best service and solution. Let us make a better world for our industry!



Contact us

Tel: +86-755-8981 8866 Fax: +86-755-8427 6832

Email & Skype: info@chipsmall.com Web: www.chipsmall.com

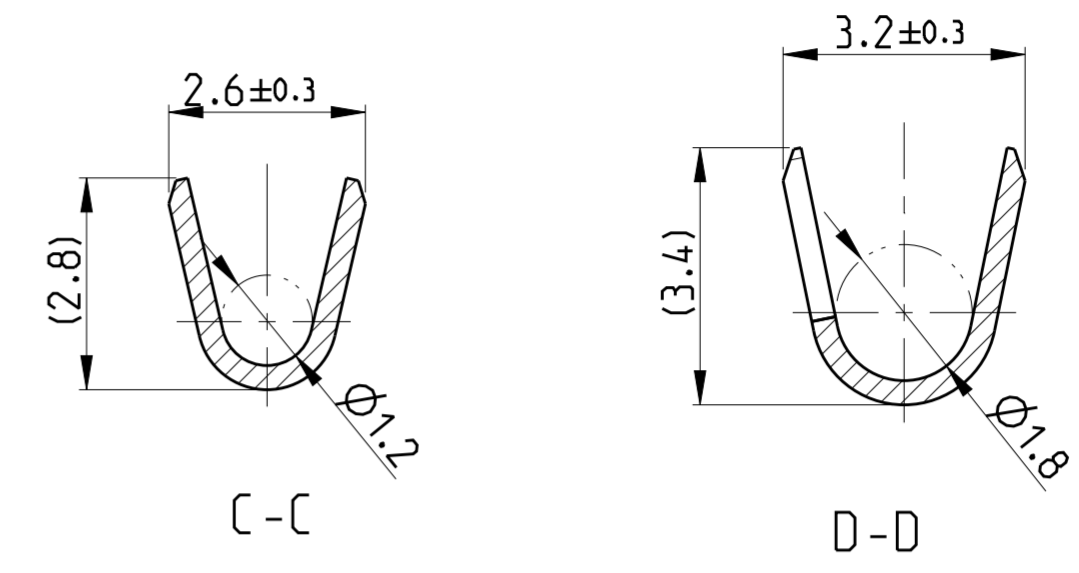
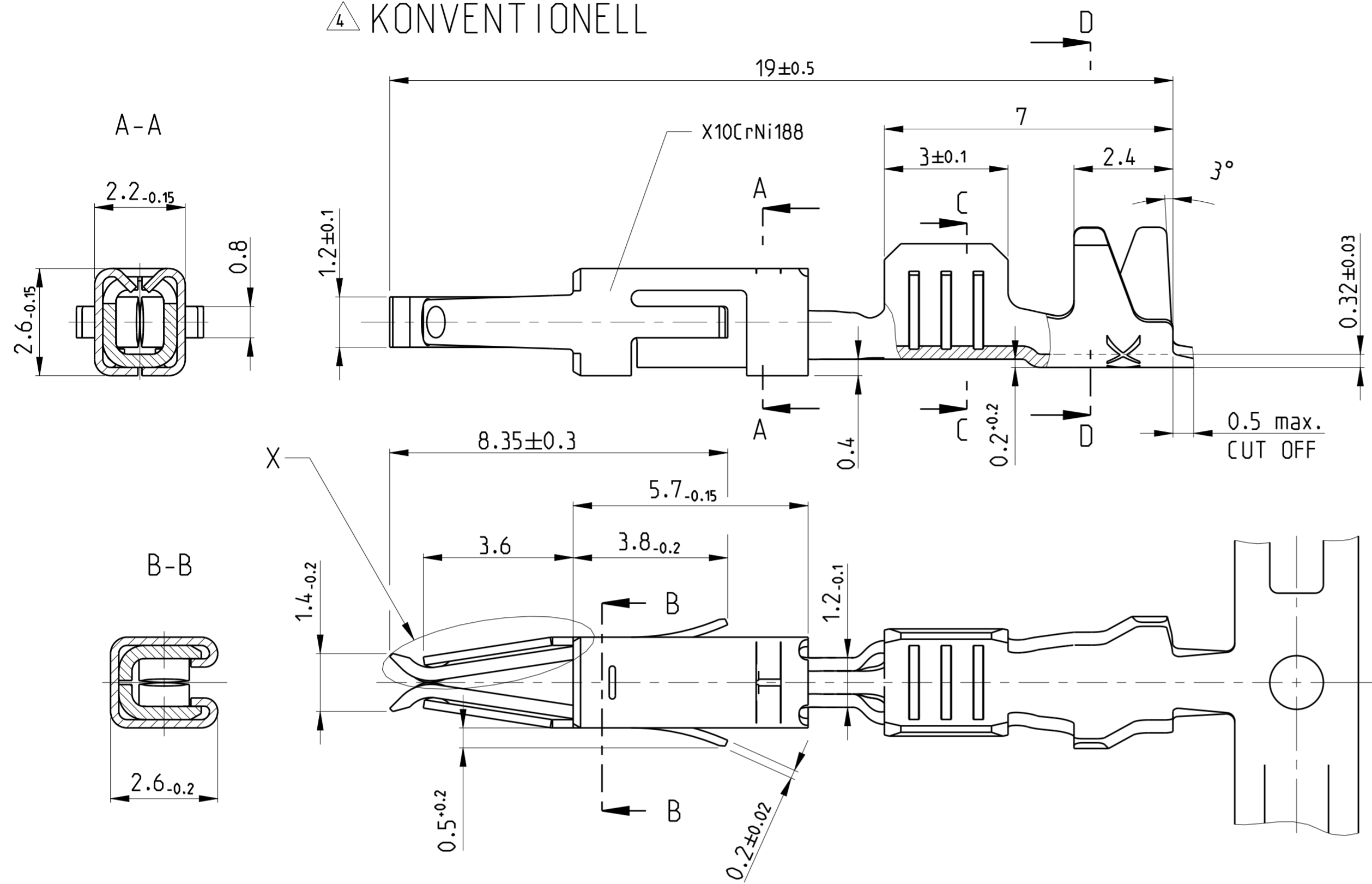
Address: A1208, Overseas Decoration Building, #122 Zhenhua RD., Futian, Shenzhen, China



THIS DRAWING IS UNPUBLISHED. RELEASED FOR PUBLICATION
 COPYRIGHT - ALL RIGHTS RESERVED.

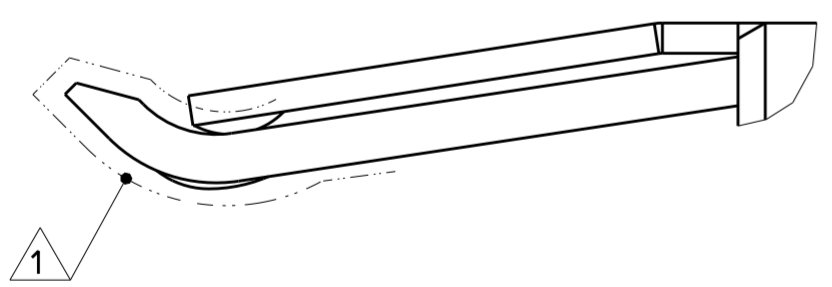
LOC		DIST		REVISIONS			
P	LTR	DESCRIPTION	DATE	DWN	APVD		
A1	-						
K3		NEW VERSION OF GOLD CONTACTS PERMITTED.	18MAY2011	Kirs	Mair		
K4		OPTIONAL to note 6 TTD added. (area A3)	29JUN2011	Kirs	Mair		
K5		SET PN 's OBSOLETE	19JUN2014	Ho.	Eder		
K6		ECR-15-012070	13AUG2015	JB.JH	BK		

4 KONVENTIONELL

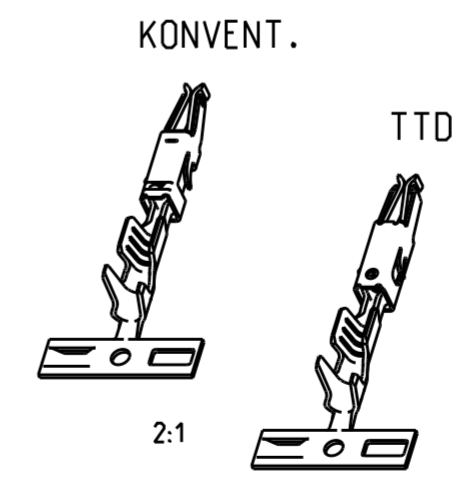
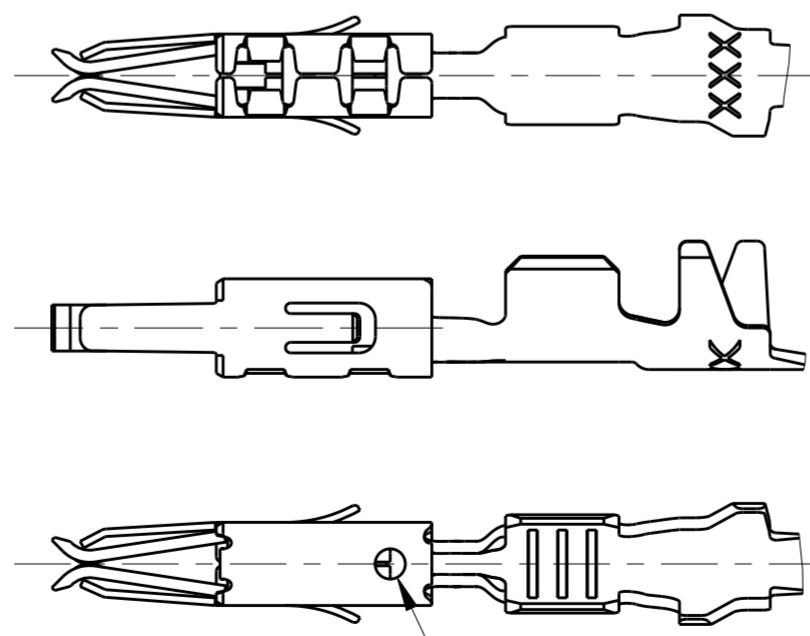


- 1 SELECTIVE GOLD PLATED MIN. 0.8 µm OVER NI
selektiv vergoldet 0.8 µm ueber Ni
- 2 TIN PLATED MIN. 0.2 µm OVER NI
verzinkt 0.2 µm ueber Ni
- 3 WIRE RANGE : 0.5 - 1.0 mm²
INSULATION-Ø : 1.4 - 2.0 mm (FLR)
Drahtgroessebereich : 0.5 - 1.0 mm²
Isolations-Ø : 1.4 - 2.0 mm (FLR)

X
M20:1



5 TWO TRACK DIE
M 5:1



SINGLE CRIMP Einzelanschlag		DOUBLE CRIMP Doppelanschlag OFF / VON	WITH mit			
			0.2	0.35	0.5	1.0
		0.2		X		
		0.35	X		X	
X		0.5		X		
X		1.0				

VERSION	SURFACE / Oberflaeche	MATERIAL	PART NO	REV
4 5	1 2	CuFe2	962943-5	K
5	PRETIN	CuFe2	962943-2	K
5	PRETIN	CuSn4	962943-1	K

THIS DRAWING IS A CONTROLLED DOCUMENT.

DIMENSIONS: mm

TOLERANCES UNLESS OTHERWISE SPECIFIED:
 0-PLC ±
 1-PLC ±
 2-PLC ±0.2
 3-PLC ±
 4-PLC ±
 ANGLES ±2°
 FINISH

MATERIAL: -

DWN: R.Hofer 06JUN1989
 CHK: H.Gehrke 13AUG1992
 APVD: Bleicher, M. 03AUG2008

PRODUCT SPEC: 108-18055
 APPLICATION SPEC: 114-18081
 WEIGHT: 0.3 g

Customer Drawing

SCALE: 10:1

SHEET 1 OF 1

REV: K6

STE TE Connectivity

MICRO TIMER 2 CONTACT WITH DOUBLE LOCKING LANCE mit doppelter Rastfeder

SIZE: A2
 CAGE CODE: 00779
 DRAWING NO: C-962943

RESTRICTED TO: -