



Chipsmall Limited consists of a professional team with an average of over 10 year of expertise in the distribution of electronic components. Based in Hongkong, we have already established firm and mutual-benefit business relationships with customers from,Europe,America and south Asia,supplying obsolete and hard-to-find components to meet their specific needs.

With the principle of “Quality Parts,Customers Priority,Honest Operation,and Considerate Service”,our business mainly focus on the distribution of electronic components. Line cards we deal with include Microchip,ALPS,ROHM,Xilinx,Pulse,ON,Everlight and Freescale. Main products comprise IC,Modules,Potentiometer,IC Socket,Relay,Connector.Our parts cover such applications as commercial,industrial, and automotives areas.

We are looking forward to setting up business relationship with you and hope to provide you with the best service and solution. Let us make a better world for our industry!



Contact us

Tel: +86-755-8981 8866 Fax: +86-755-8427 6832

Email & Skype: info@chipsmall.com Web: www.chipsmall.com

Address: A1208, Overseas Decoration Building, #122 Zhenhua RD., Futian, Shenzhen, China



4

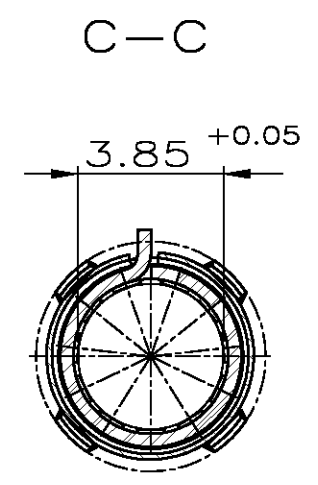
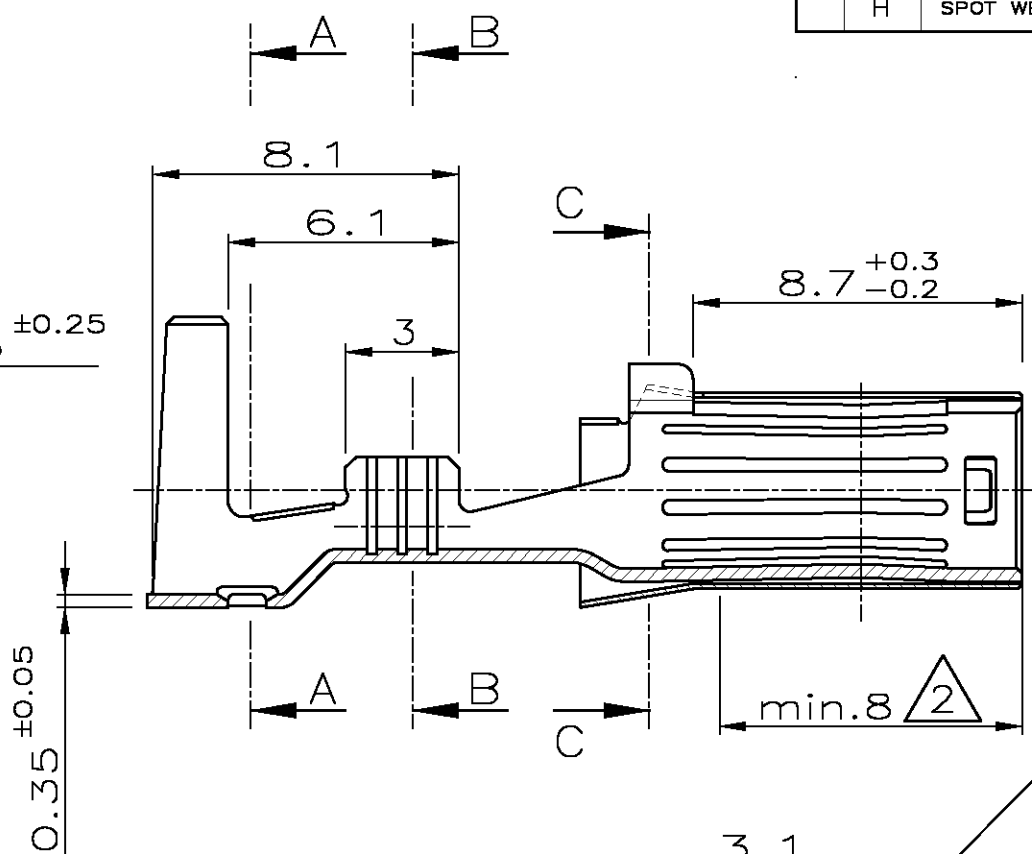
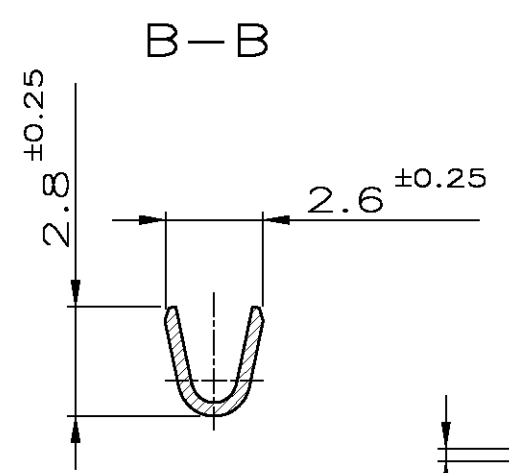
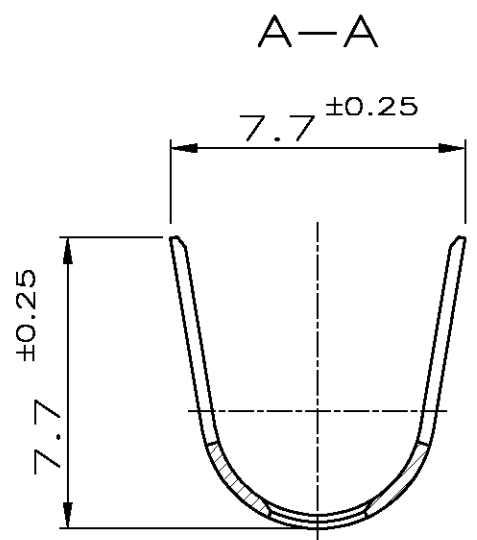
3

2

1

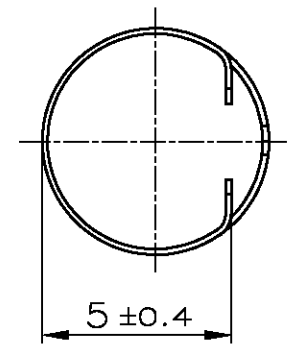
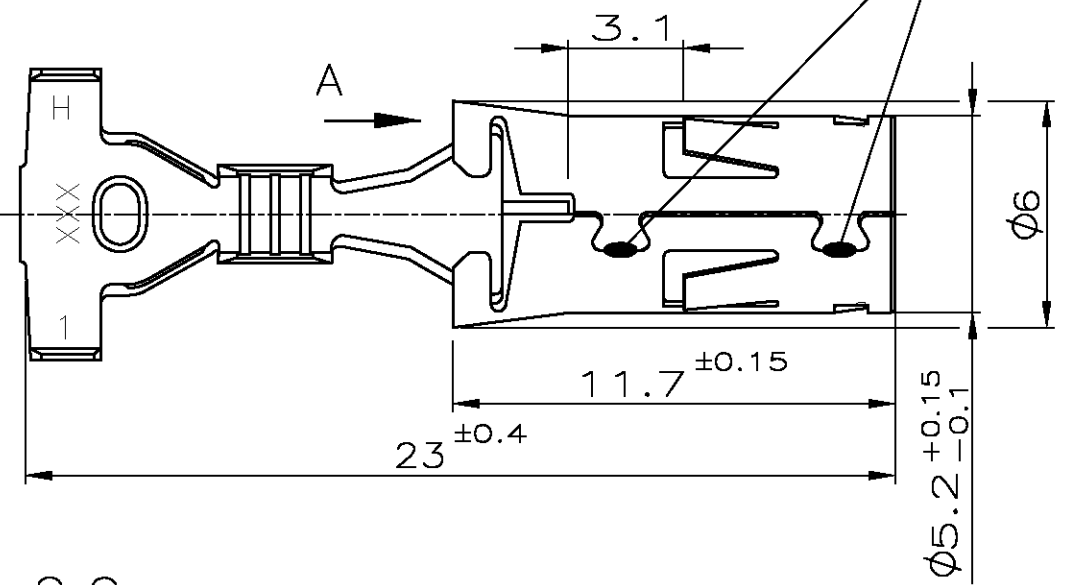
THIS DRAWING IS UNPUBLISHED. RELEASED FOR PUBLICATION
 © COPYRIGHT - ALL RIGHTS RESERVED.

LOC	DIST	REVISIONS			
P	LTR	DESCRIPTION	DATE	DWN	APVD
A1	-				
F		DOVE TAIL ADDED / Schwabenschwanz eingefuegt	27JUL2006	C.H.	C.G.
G		DRAWING ADAPTED / Zeichnung angepasst	13AUG2007	Abr	C.G.
H		SPOT WELDING CHANGED INTO LINE WELDING	27SEP2012	Sch	Abr



LASER WELDED (LINE)
Laserschweissung (Linie)

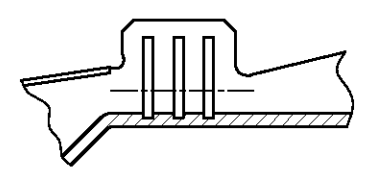
Teilansicht A



NOTES
Bemerkungen

- 1 1-3µm Sn
1-3µm Sn
- 2 3-4µm GALVANIC Ag
REST GALV. Sn (1-3µm)
3-4µm galvanisch Ag
Rest galv. Sn (1-3µm)
- 3 WIRE RANGE
Drahtgroessenbereich (mm²): 0.5-1
- 4 INSULATION RANGE FOR SWS Ø6 (mm): 1.4-2.0
Isolationsbereich fuer EDS Ø6

OPTIONAL



2	vorversilbert	0-962952-2	H
1	vorverzinkt	0-962952-1	H
	FINISH	PART NO.	REV.

THIS DRAWING IS A CONTROLLED DOCUMENT.		DWN E. Palmie 02FEB1995	TE Connectivity																				
DIMENSIONS: mm		CHK H. Lutsch 02FEB1995																					
TOLERANCES UNLESS OTHERWISE SPECIFIED:		APVD -	NAME Ø4mm SOCKET CONTACT, SWS Ø4mm Buchsenkontakt, EDS																				
<table border="0"> <tr> <td>0 PLC</td> <td>±</td> <td>±0.2mm</td> </tr> <tr> <td>1 PLC</td> <td>±</td> <td>±0.2mm</td> </tr> <tr> <td>2 PLC</td> <td>±</td> <td>±0.2mm</td> </tr> <tr> <td>3 PLC</td> <td>±</td> <td>±0.2mm</td> </tr> <tr> <td>4 PLC</td> <td>±</td> <td>±0.2mm</td> </tr> <tr> <td>ANGLES</td> <td>±</td> <td>±1.5°</td> </tr> </table>		0 PLC	±	±0.2mm	1 PLC	±	±0.2mm	2 PLC	±	±0.2mm	3 PLC	±	±0.2mm	4 PLC	±	±0.2mm	ANGLES	±	±1.5°	PRODUCT SPEC 108-18472	SIZE A3		
0 PLC	±	±0.2mm																					
1 PLC	±	±0.2mm																					
2 PLC	±	±0.2mm																					
3 PLC	±	±0.2mm																					
4 PLC	±	±0.2mm																					
ANGLES	±	±1.5°																					
MATERIAL CuNiSi		FINISH -	APPLICATION SPEC 114-18118	CAGE CODE 00779	DRAWING NO C-962952																		
			WEIGHT -	RESTRICTED TO -																			
CUSTOMER DRAWING			SCALE 5:1	SHEET 1 OF 1	REV H																		