



Chipsmall Limited consists of a professional team with an average of over 10 year of expertise in the distribution of electronic components. Based in Hongkong, we have already established firm and mutual-benefit business relationships with customers from,Europe,America and south Asia,supplying obsolete and hard-to-find components to meet their specific needs.

With the principle of “Quality Parts,Customers Priority,Honest Operation,and Considerate Service”,our business mainly focus on the distribution of electronic components. Line cards we deal with include Microchip,ALPS,ROHM,Xilinx,Pulse,ON,Everlight and Freescale. Main products comprise IC,Modules,Potentiometer,IC Socket,Relay,Connector.Our parts cover such applications as commercial,industrial, and automotives areas.

We are looking forward to setting up business relationship with you and hope to provide you with the best service and solution. Let us make a better world for our industry!



Contact us

Tel: +86-755-8981 8866 Fax: +86-755-8427 6832

Email & Skype: info@chipsmall.com Web: www.chipsmall.com

Address: A1208, Overseas Decoration Building, #122 Zhenhua RD., Futian, Shenzhen, China



4

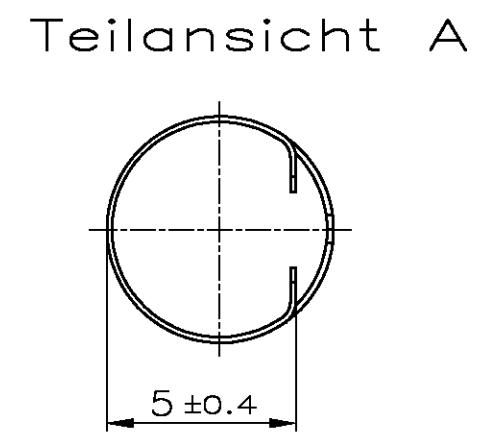
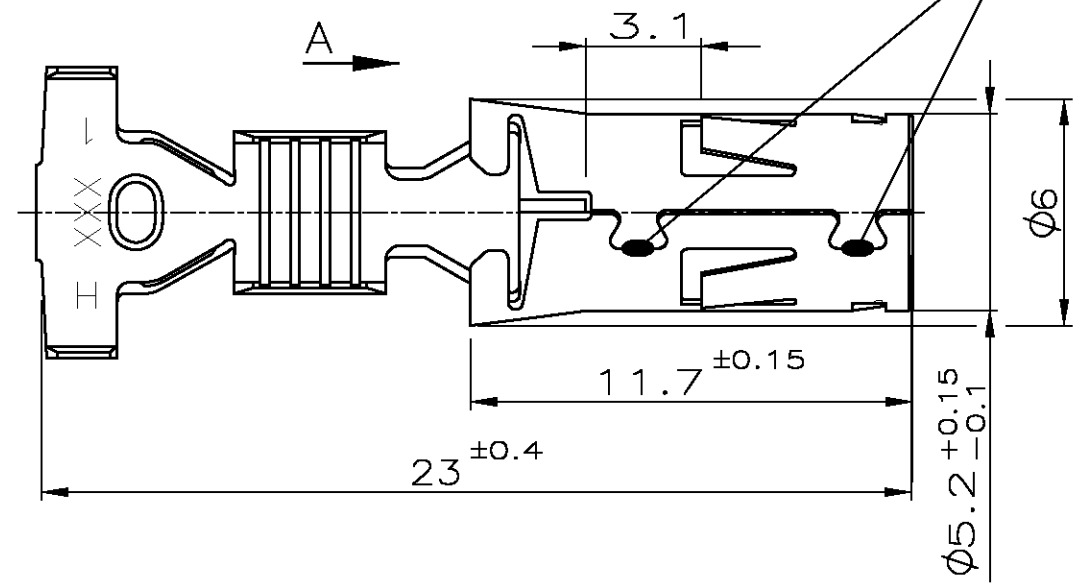
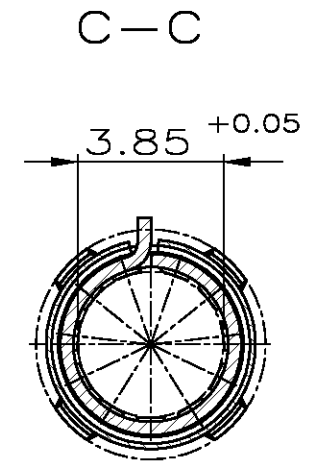
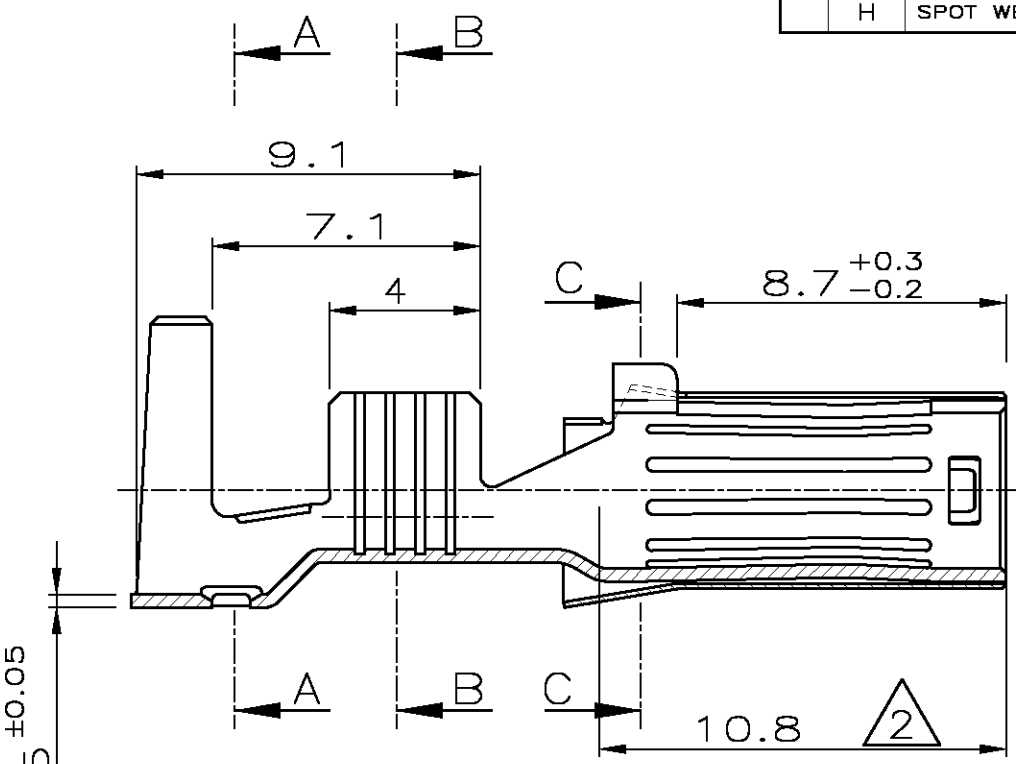
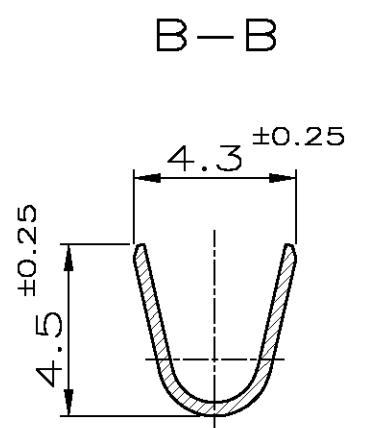
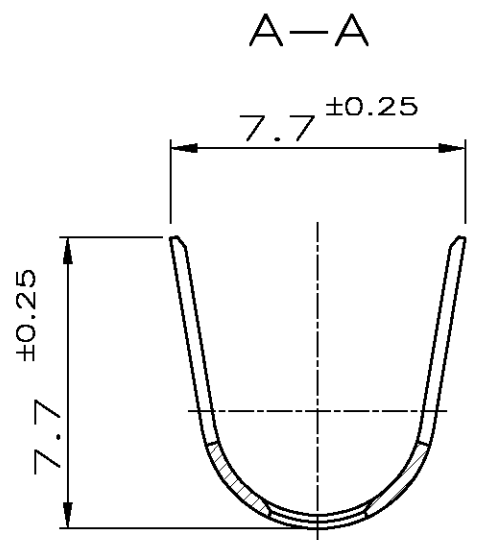
3

2

1

THIS DRAWING IS UNPUBLISHED. RELEASED FOR PUBLICATION
 © COPYRIGHT - By - ALL RIGHTS RESERVED.

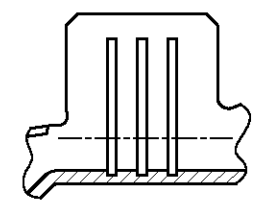
LOC	DIST	REVISIONS			
P	LTR	DESCRIPTION	DATE	DWN	APVD
A1	-				
F		DOVE TAIL ADDED/Schwalbenschwanz eingefuegt	28JUL2006	C.H.	C.G.
G		DRAWING ADAPTED / Zeichnung angepasst	14AUG2007	Abr	C.G.
H		SPOT WELDING CHANGED INTO LINE WELDING	27SEP2012	Sch	Abr



NOTES
Bemerkungen

- 1 1-3µm Sn
1-3µm Sn
- 2 3-4µm GALVANIC Ag
REST GALV. Sn (1-3µm)
3-4µm galvanisch Ag
Rest galv. Sn (1-3µm)
- 3 WIRE RANGE
Drahtgroessenbereich (mm²): >2.5-4.0
- 4 INSULATION RANGE FOR SWS Ø6 (mm): 2.7-3.7
Isolationsbereich fuer EDS Ø6

OPTIONAL



FINISH	PART NO.	REV.
vorversilbert	0-962956-2	H
vorverzinkt	0-962956-1	H

THIS DRAWING IS A CONTROLLED DOCUMENT.		DWN E. Palmie' 30JAN1995		STE TE Connectivity	
DIMENSIONS: mm		CHK H. Lutsch 30JAN1995			
TOLERANCES UNLESS OTHERWISE SPECIFIED:		APVD -		NAME	
0 PLC ± ±0.2mm		PRODUCT SPEC		Ø4mm SOCKET CONTACT, SWS	
1 PLC ± ±		APPLICATION SPEC		Ø4mm Buchsenkontakt, EDS	
2 PLC ± ±		WEIGHT -		SIZE	CAGE CODE
3 PLC ± ±		CUSTOMER DRAWING		A3	00779
4 PLC ± ±		SCALE 5:1		DRAWING NO	C-962956
ANGLES ±1.5°		SHEET 1 OF 1		RESTRICTED TO	-
FINISH -		REV H			