



Chipsmall Limited consists of a professional team with an average of over 10 year of expertise in the distribution of electronic components. Based in Hongkong, we have already established firm and mutual-benefit business relationships with customers from,Europe,America and south Asia,supplying obsolete and hard-to-find components to meet their specific needs.

With the principle of “Quality Parts,Customers Priority,Honest Operation,and Considerate Service”,our business mainly focus on the distribution of electronic components. Line cards we deal with include Microchip,ALPS,ROHM,Xilinx,Pulse,ON,Everlight and Freescale. Main products comprise IC,Modules,Potentiometer,IC Socket,Relay,Connector.Our parts cover such applications as commercial,industrial, and automotives areas.

We are looking forward to setting up business relationship with you and hope to provide you with the best service and solution. Let us make a better world for our industry!



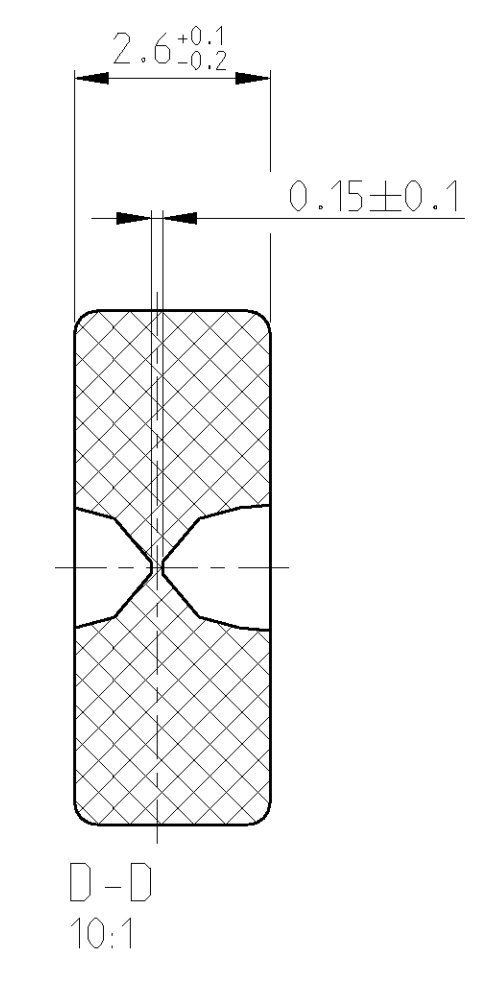
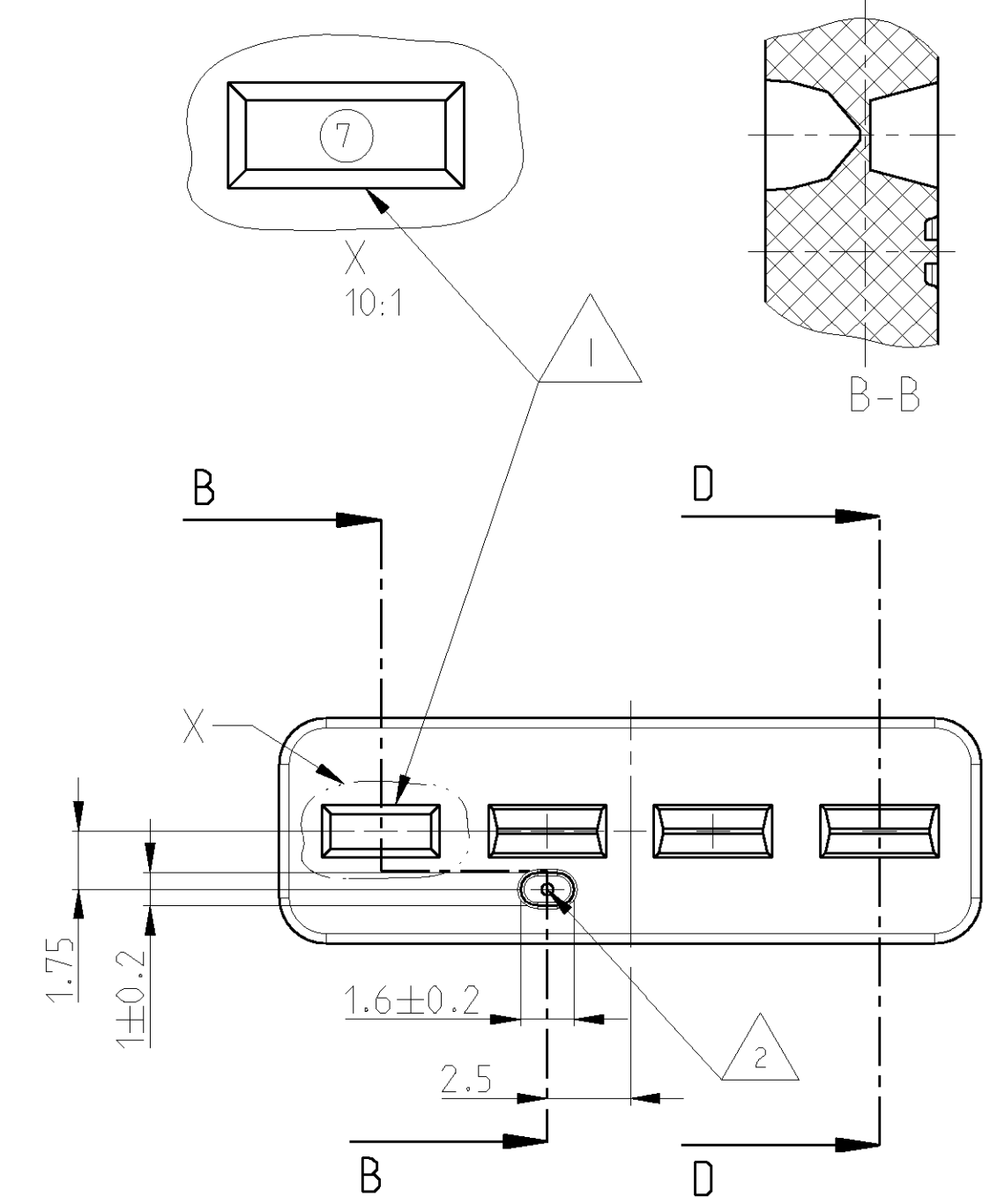
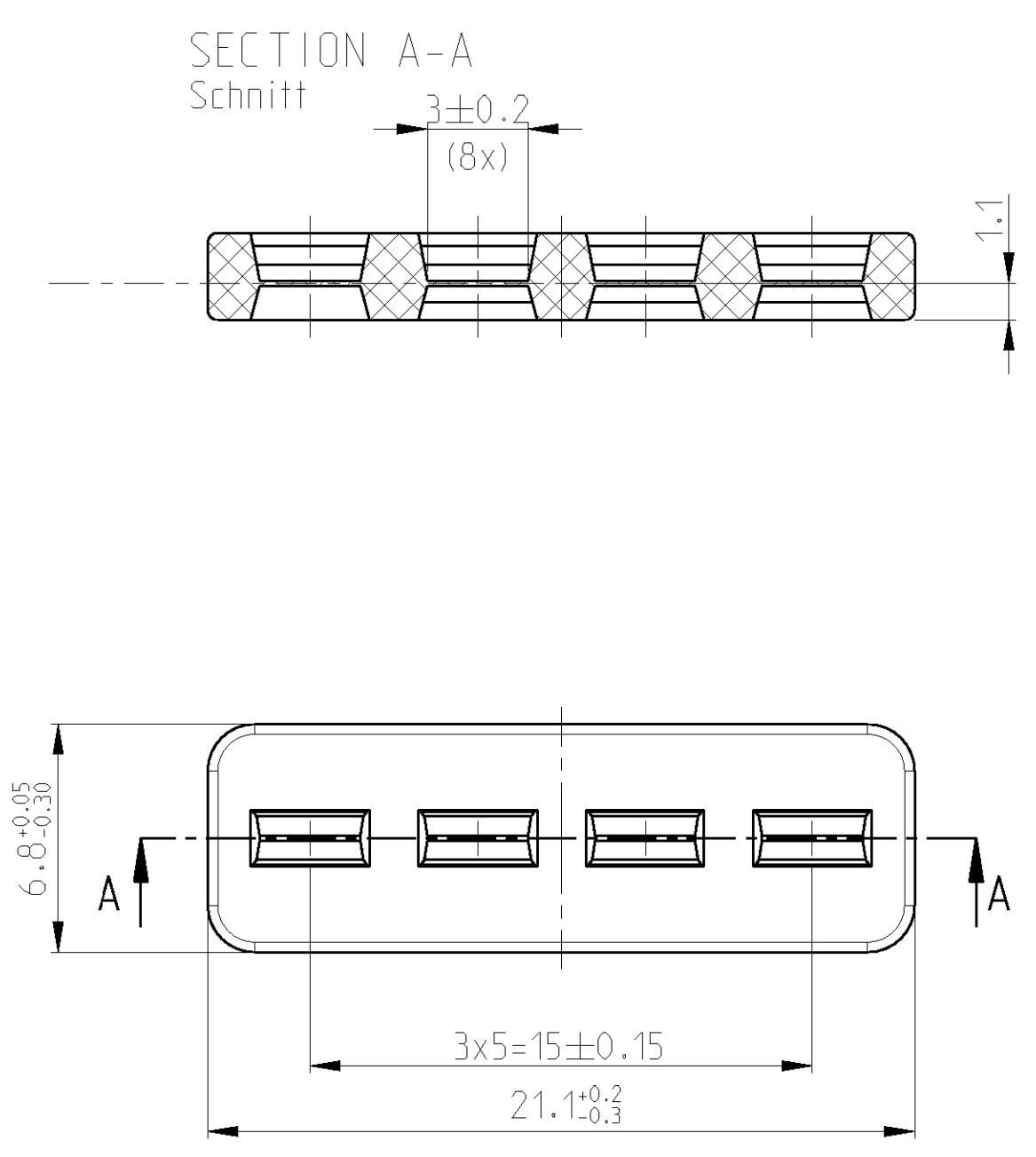
## Contact us

Tel: +86-755-8981 8866 Fax: +86-755-8427 6832

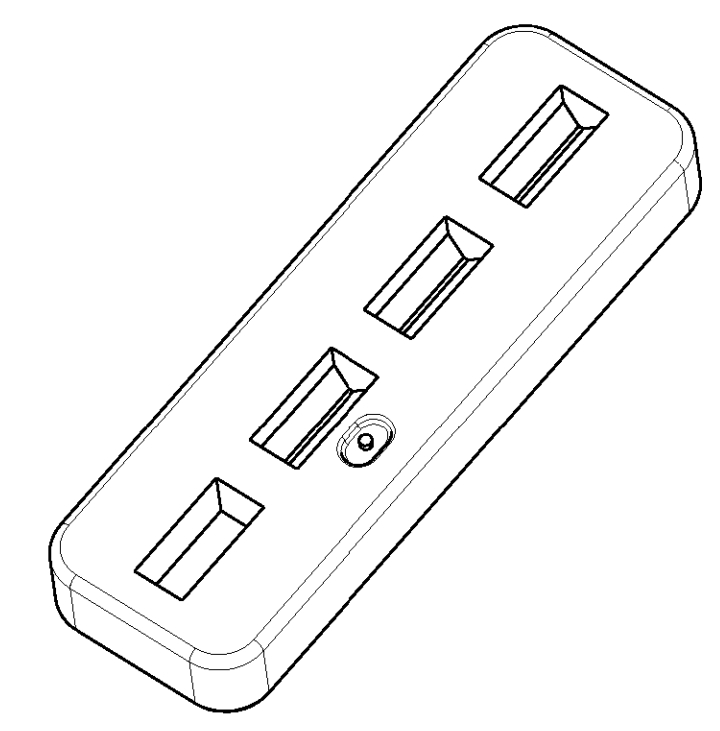
Email & Skype: info@chipsmall.com Web: www.chipsmall.com

Address: A1208, Overseas Decoration Building, #122 Zhenhua RD., Futian, Shenzhen, China





- NOTES  
Bemerkungen
- ① CAVITY MARKING RAISED, OPTIONAL IN ONE OF THE WINDOWS  
Nestmarkierung erhaben, wahlweise in einem Fenster
  - ② GATE AREA SUNK, GATEMARK MUST NOT GET THROUGH OUTER GEOMETRY  
Angußbereich vertief, Anguß darf nicht aus der äußeren Geometrie überstehen



963208-2	B	0.358	SEAL	GREEN	SILICON	2
963208-1	D	0.358	SEAL	NATUR	SILICON	1
PART NO	REV	WEIGHT [g]	DESCRIPTION	COLOUR	MATERIAL	ITEM

Verwendet für: 965102 / 962340 / 962341 / 965261

<small>THIS DRAWING IS A CONTROLLED DOCUMENT FOR TYCO ELECTRONICS CORPORATION                      IT IS SUBJECT TO CHANGE AND THE CONTROLLING ENGINEERING ORGANIZATION                      SHOULD BE CONTACTED FOR THE LATEST REVISION.</small>		DWN S. Kann-Henzel CHK T. Kilian APVD -	30AUG2004 01SEP2004	<b>tyco</b> Electronics		tyco Electronics AMP GmbH D - 64625 Bensheim
DIMENSIONS: mm		TOLERANCES UNLESS OTHERWISE SPECIFIED: 0 PLC ±0.3 1 PLC ±0.3 2 PLC ±0.3 3 PLC ± 4 PLC ± ANGLES ±°		PRODUCT SPEC 108-18102 APPLICATION SPEC 114-18175		NAME SEAL FOR 4POS. JPT CONNECTOR
MATERIAL -		FINISH -		WEIGHT -	SIZE A2	CAGE CODE 00779
CUSTOMER DRAWING				DRAWING NO G=963208	RESTRICTED TO -	SCALE 5:1 SHEET 1 OF 1 REV D