



Chipsmall Limited consists of a professional team with an average of over 10 year of expertise in the distribution of electronic components. Based in Hongkong, we have already established firm and mutual-benefit business relationships with customers from,Europe,America and south Asia,supplying obsolete and hard-to-find components to meet their specific needs.

With the principle of "Quality Parts,Customers Priority,Honest Operation,and Considerate Service",our business mainly focus on the distribution of electronic components. Line cards we deal with include Microchip,ALPS,ROHM,Xilinx,Pulse,ON,Everlight and Freescale. Main products comprise IC,Modules,Potentiometer,IC Socket,Relay,Connector.Our parts cover such applications as commercial,industrial, and automotives areas.

We are looking forward to setting up business relationship with you and hope to provide you with the best service and solution. Let us make a better world for our industry!



## Contact us

Tel: +86-755-8981 8866 Fax: +86-755-8427 6832

Email & Skype: info@chipsmall.com Web: www.chipsmall.com

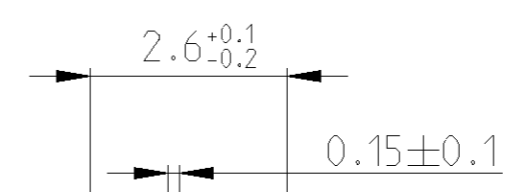
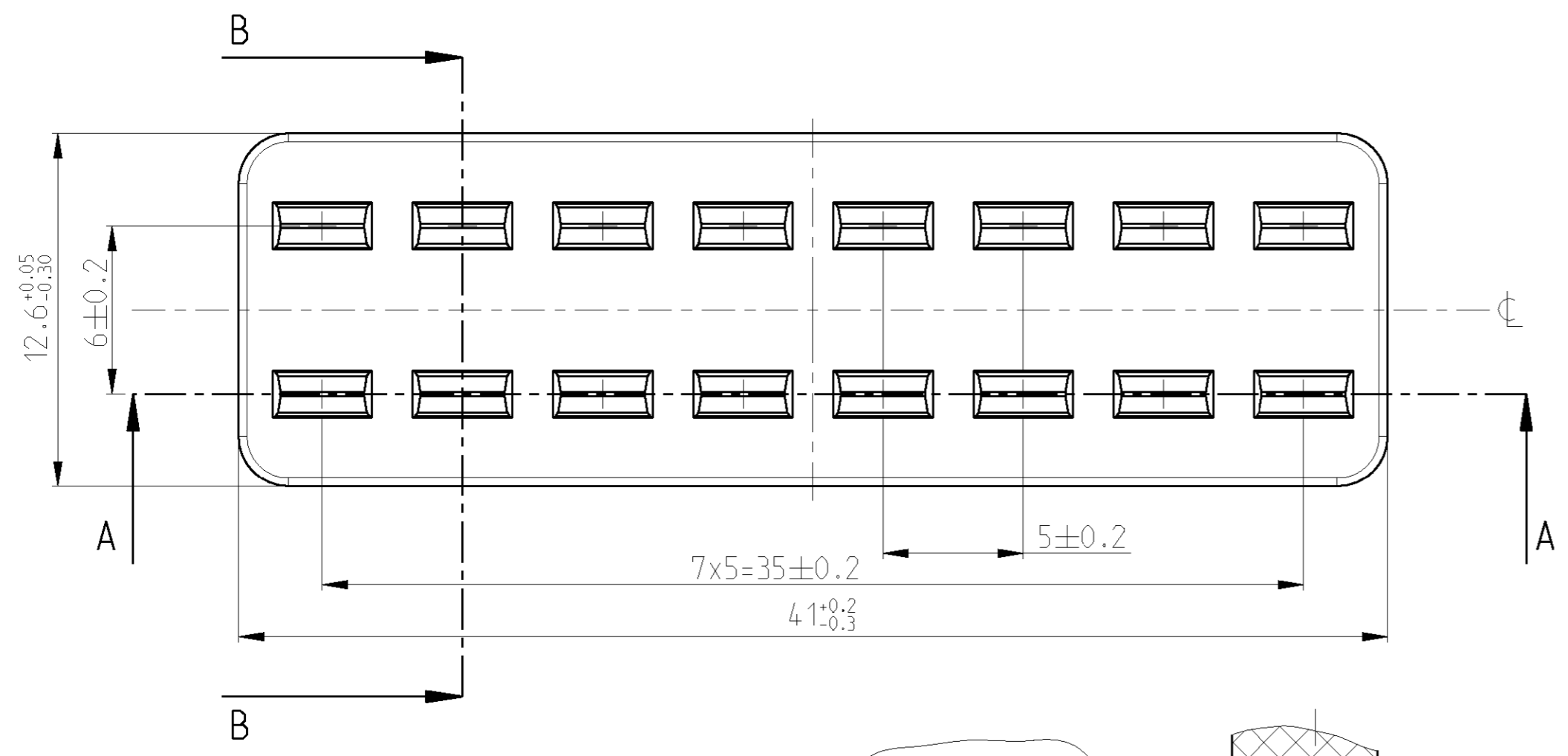
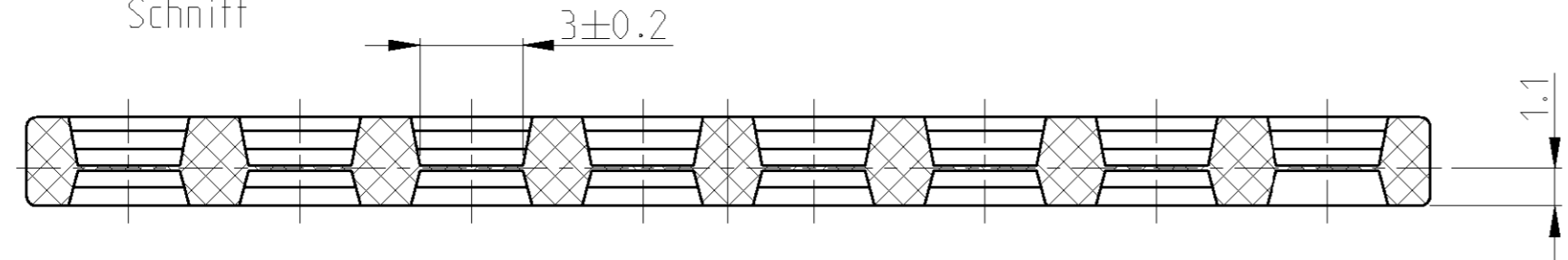
Address: A1208, Overseas Decoration Building, #122 Zhenhua RD., Futian, Shenzhen, China



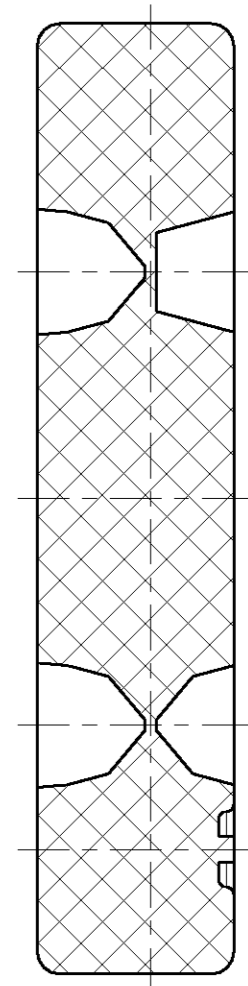
USE WITH 963215 / Verwendet für 963215

LOC	DIST	REVISIONS					
		P	LTR	DESCRIPTION	DATE	DWN	APVD
A1	-	B1		Neues Format (war DIN A4)	11.05.93	Garcia	-
		B2		Zeichnung überarbeitet	16.06.94	Kress	-
		C		SEE PCN EGO0-0094-03 (REV. CHANGE)	14JAN2003	Richt.	-
		D		SEE PCN EGA0-1960-04	31AUG2004	SKH	T.K.

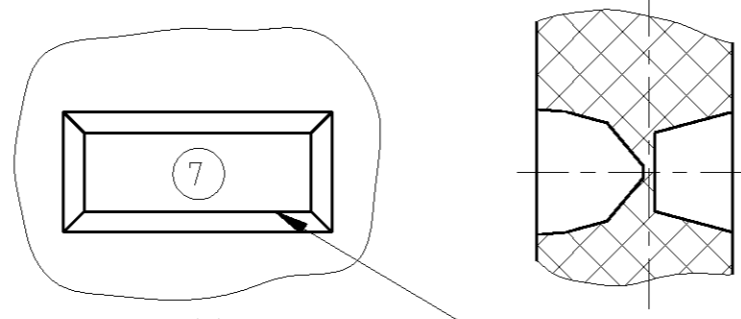
SECTION A-A  
Schnitt



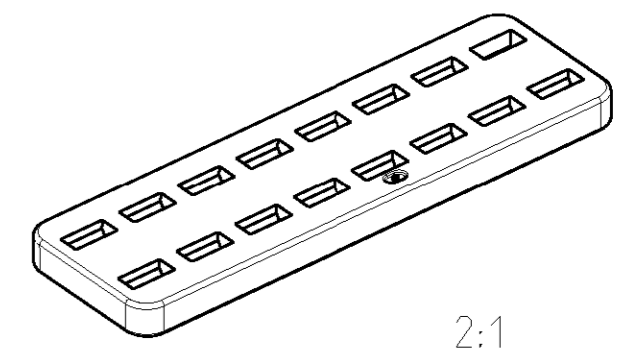
SECTION B-B  
Schnitt  
10:1



SECTION D-D  
Schnitt  
10:1



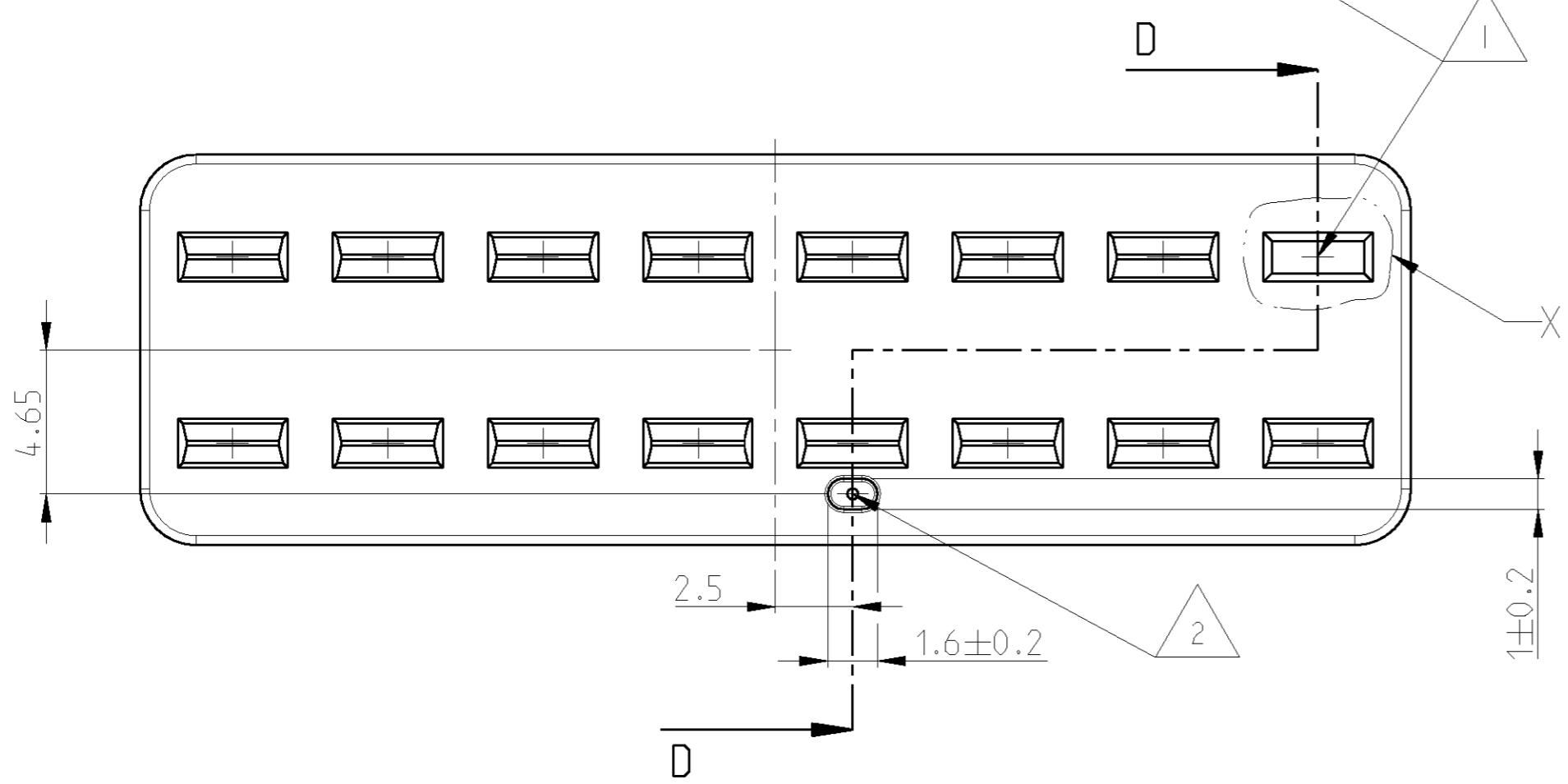
X  
10:1



2:1

NOTES  
Bemerkungen

- 1 CAVITY MARKING RAISED, OPTIONAL IN ONE OF THE WINDOWS  
Nestmarkierung erhaben, wahlweise in einem Fenster
- 2 GATE AREA SUNK, GATEMARK MUST NOT GET THROUGH OUTER GEOMETRY  
Angußbereich vertief, Anguß darf nicht aus der äußeren Geometrie überstehen



963216-1	D	1.29	SILICON	SEAL	NATUR	1
PART NO	REV	WEIGHT [g]	MATERIAL	DESCRIPTION	COLOUR	ITEM

THIS DRAWING IS A CONTROLLED DOCUMENT FOR TYCO ELECTRONICS CORPORATION IT IS SUBJECT TO CHANGE AND THE CONTROLLING ENGINEERING ORGANIZATION SHOULD BE CONTACTED FOR THE LATEST REVISION.		DWN S. Kann-Henzel 31AUG2004 CHK T. Kilian 15SEP2004 APVD -	<b>tyco</b> tyco Electronics AMP GmbH <b>Electronics</b> D - 64625 Bensheim			
DIMENSIONS: mm		PRODUCT SPEC 108-18102 APPLICATION SPEC 114-18175 WEIGHT -	NAME SEAL FOR 16POS. JPT CONNECTOR			
TOLERANCES UNLESS OTHERWISE SPECIFIED: 0 PLC ±0.3 1 PLC ±0.3 2 PLC ±0.3 3 PLC ± 4 PLC ± ANGLES ±° FINISH		SIZE A2 CAGE CODE 00779 DRAWING NO. 963216	RESTRICTED TO			
MATERIAL		CUSTOMER DRAWING	SCALE 5:1	SHEET 1 OF 1	REV D	