



Chipsmall Limited consists of a professional team with an average of over 10 year of expertise in the distribution of electronic components. Based in Hongkong, we have already established firm and mutual-benefit business relationships with customers from,Europe,America and south Asia,supplying obsolete and hard-to-find components to meet their specific needs.

With the principle of “Quality Parts,Customers Priority,Honest Operation,and Considerate Service”,our business mainly focus on the distribution of electronic components. Line cards we deal with include Microchip,ALPS,ROHM,Xilinx,Pulse,ON,Everlight and Freescale. Main products comprise IC,Modules,Potentiometer,IC Socket,Relay,Connector.Our parts cover such applications as commercial,industrial, and automotives areas.

We are looking forward to setting up business relationship with you and hope to provide you with the best service and solution. Let us make a better world for our industry!



Contact us

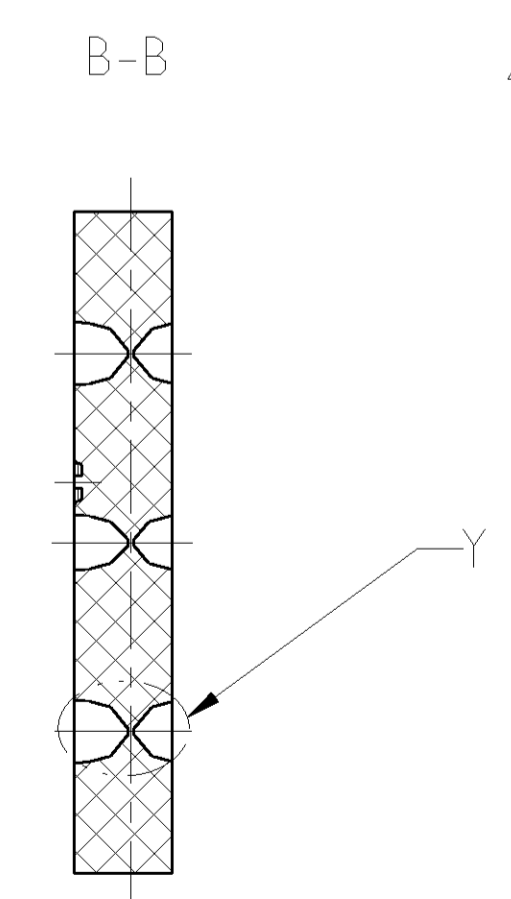
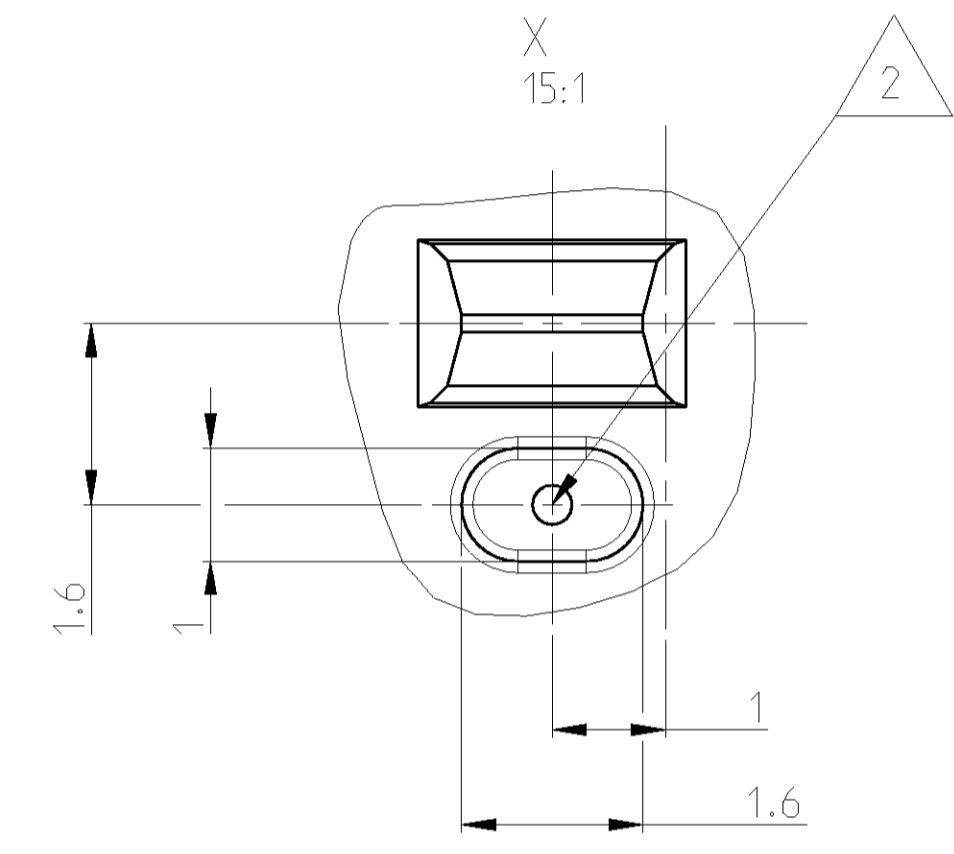
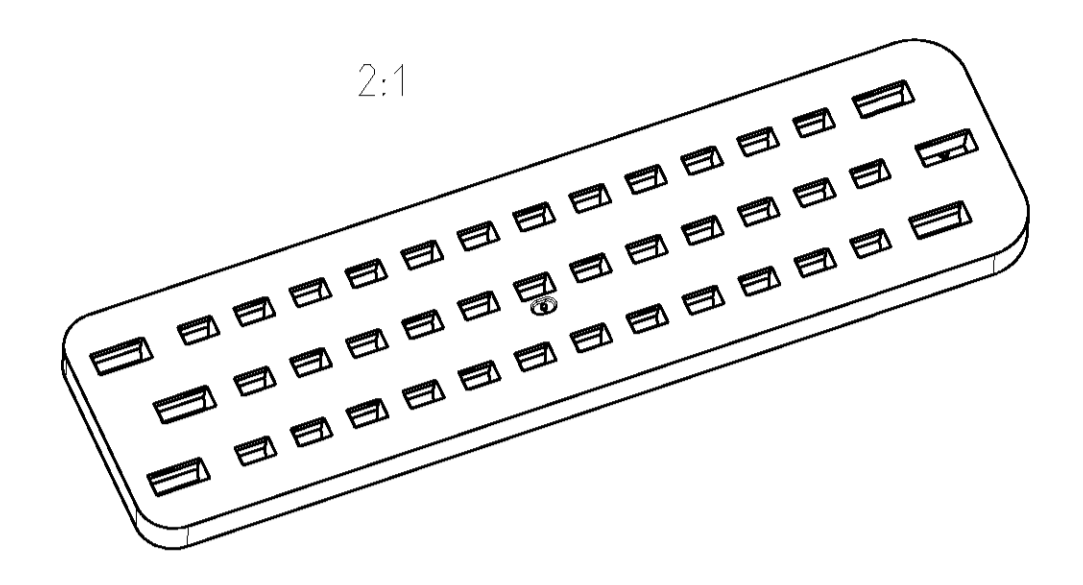
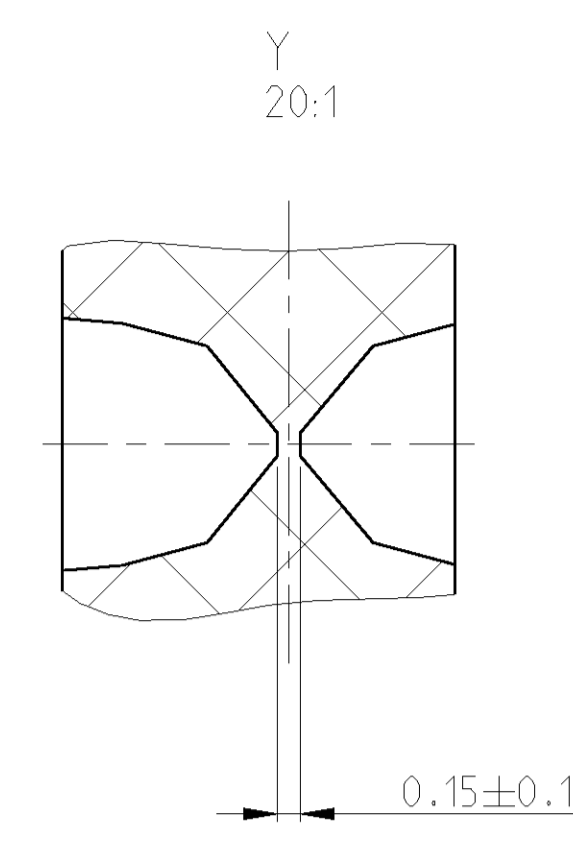
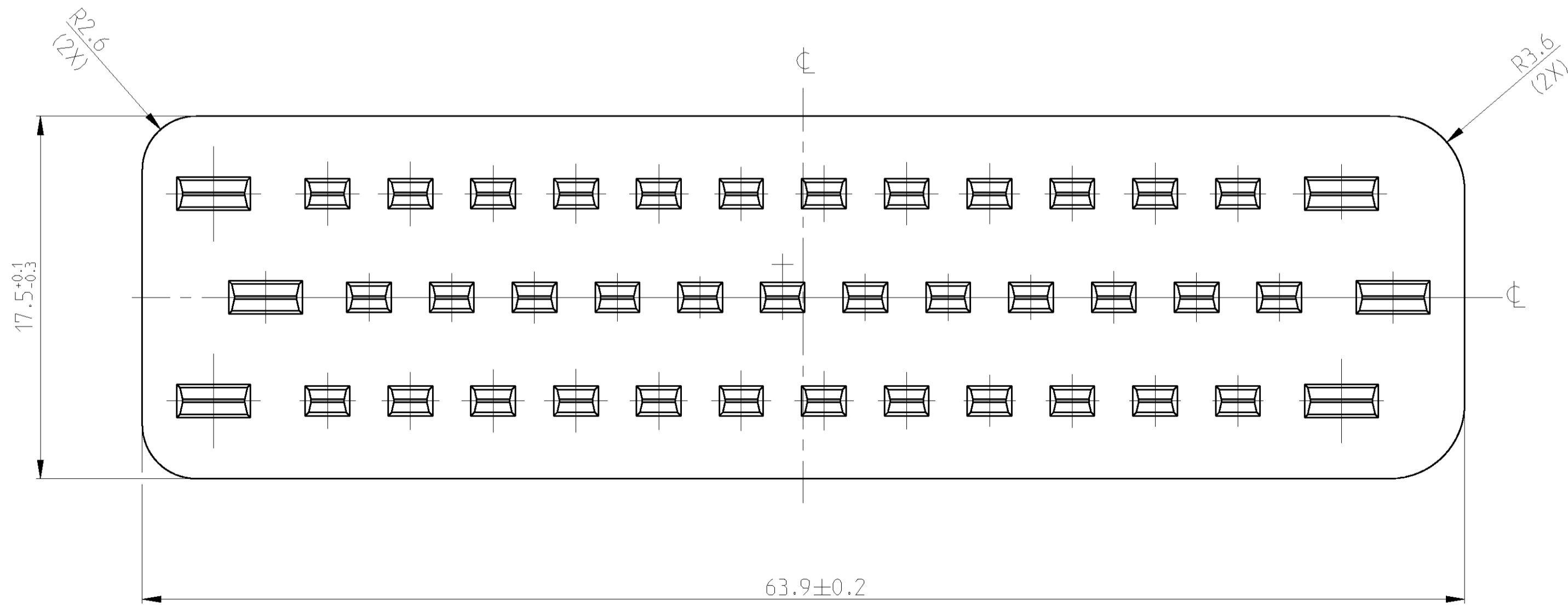
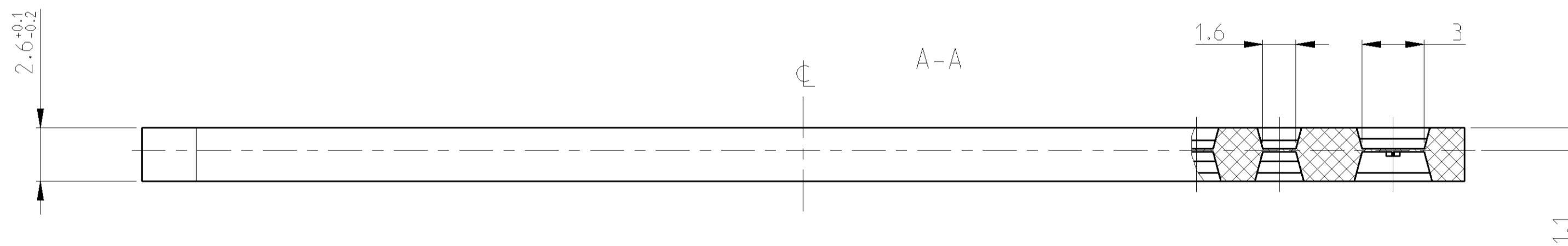
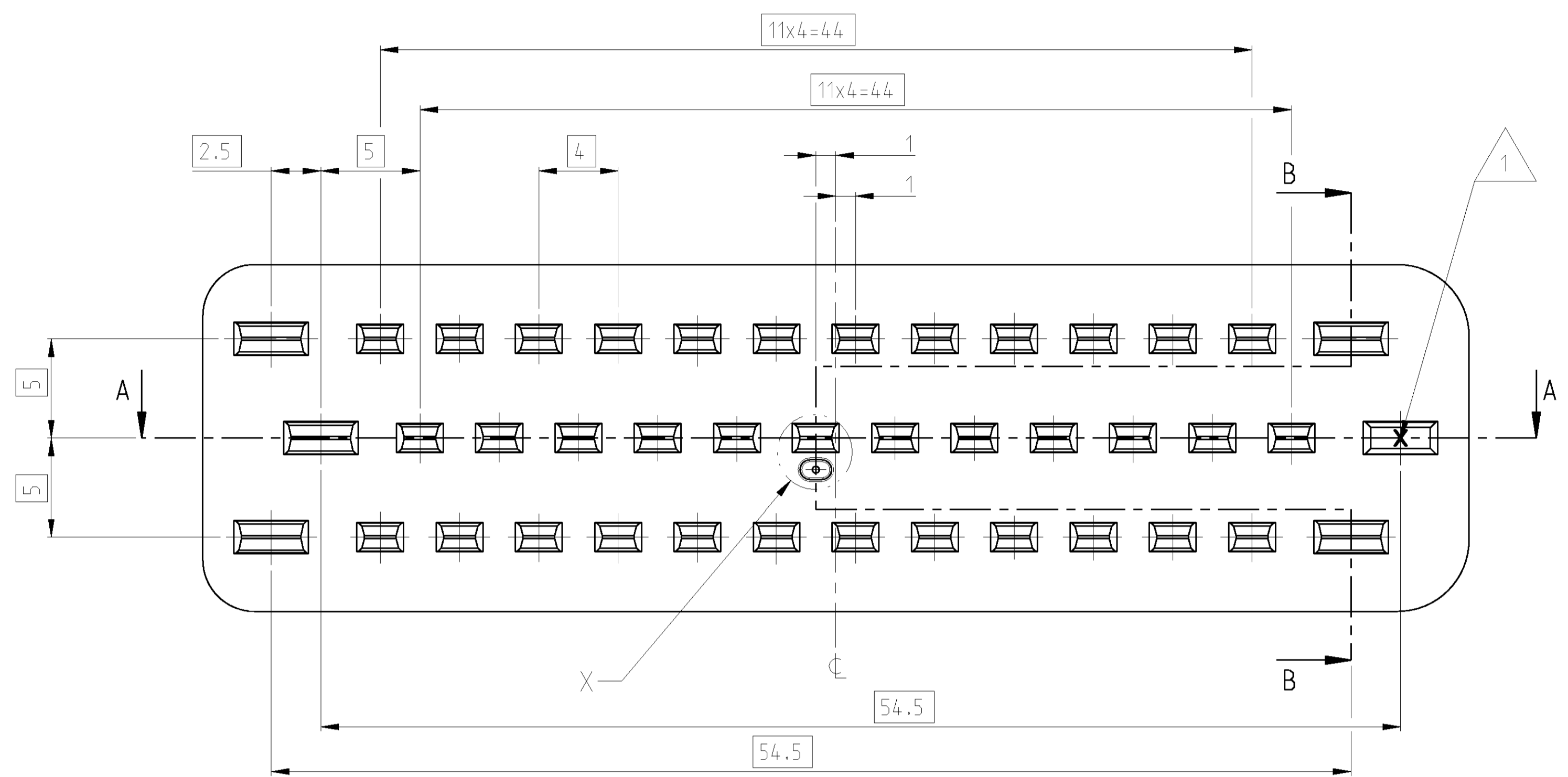
Tel: +86-755-8981 8866 Fax: +86-755-8427 6832

Email & Skype: info@chipsmall.com Web: www.chipsmall.com

Address: A1208, Overseas Decoration Building, #122 Zhenhua RD., Futian, Shenzhen, China



PROJECT NO. A89-52119	LOC A1	DIST -	REVISIONS			
	P	LTR	DESCRIPTION	DATE	DRN	APVD
	D		SEE E-06-017312	04.JUL.2006	LN	TK



NOTES
Bemerkungen

- 1 CAVITY MARKING RAISED, OPTIONAL
IN ONE OF THE WINDOWS
Nestmarkierung erhaben, wahlweise
in einem der Fenster
- 2 GATE AREA SUNK
GATEMARK MUST NOT GET THROUGH OUTER GEOMETRY
Angussbereich vertieft
Anguss darf nicht aus der aeusseren
Geometrie ueberstehen

963225-1	D	SEALING	NATURE	2.89	1
PART NO	REV	DESCRIPTION	COLOR	WEIGHT (g)	ITEM NO

DIMENSIONS:		TOLERANCES UNLESS OTHERWISE SPECIFIED:		DRN	04.JUL.2006	tyco Electronics	tyco Electronics AMP GmbH 64625 Bensheim (Germany)
mm		0 PLC ± 0.2 1 PLC ± 0.2 2 PLC ± 0.2 3 PLC ± 0.2 4 PLC ± 0.2 ANGLES \pm FINISH \pm		CHK	17.JUL.2006		
MATERIAL		SILICONE		APVD	18.JUL.2006	SIZE	CAGE CODE DRAWING NO
				CUSTOMER DRAWING		SCALE	5:1
						SHEET	1 OF 1
						REV	D