



Chipsmall Limited consists of a professional team with an average of over 10 year of expertise in the distribution of electronic components. Based in Hongkong, we have already established firm and mutual-benefit business relationships with customers from,Europe,America and south Asia,supplying obsolete and hard-to-find components to meet their specific needs.

With the principle of “Quality Parts,Customers Priority,Honest Operation,and Considerate Service”,our business mainly focus on the distribution of electronic components. Line cards we deal with include Microchip,ALPS,ROHM,Xilinx,Pulse,ON,Everlight and Freescale. Main products comprise IC,Modules,Potentiometer,IC Socket,Relay,Connector.Our parts cover such applications as commercial,industrial, and automotives areas.

We are looking forward to setting up business relationship with you and hope to provide you with the best service and solution. Let us make a better world for our industry!



Contact us

Tel: +86-755-8981 8866 Fax: +86-755-8427 6832

Email & Skype: info@chipsmall.com Web: www.chipsmall.com

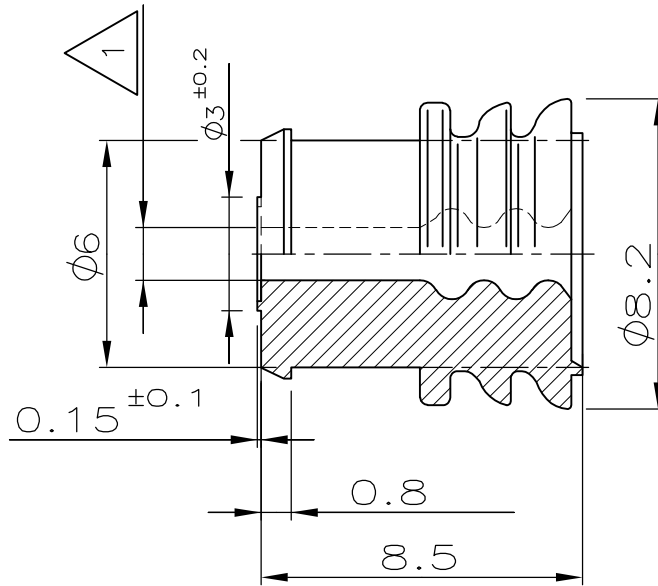
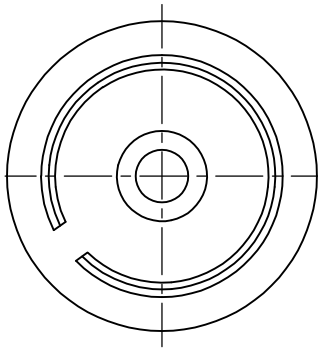
Address: A1208, Overseas Decoration Building, #122 Zhenhua RD., Futian, Shenzhen, China



LOC	DIST	REVISIONS ÄNDERUNGEN DESCRIPTION BESCHREIBUNG			DATE	DWN	APVD
—	—	P	LTR				
VERWENDET FÜR		B1	REVISED PER ECO-11-005150		21MAR11	RK	HMR
WAR NR. 88-52108-10-2							

VERTRAULICH

FFENTLICHE ZEICHNUNG. ALLE RECHTE
VORBEHALTEN. VERVIELFÄLTIGUNG UND WEITERGABE
NUR MIT GENEHMIGUNG DURCH - DEUTSCHLAND GMBH



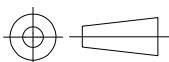
1 Für Isolationsø 2.2-3.0 mm

CAD-ORIGINAL
ZEICHNUNG NICHT ÄNDERN
NICHT VERMASSTE KANTEN
SIND NICHT MAßSTÄBLICH

0-0963244-1	B	SILICON SHORE A 50° lubriziert	weiß
-------------	---	--------------------------------------	------

BESTELL-NR.	REV.	WERKSTOFF	OBERFLÄCHE FARBE	ZEICHNUNG GÜLTIG AB
-------------	------	-----------	---------------------	---------------------------

DIMENSIONS: MASSENEHTEIN mm	DWN	23.08.89	MATERIAL	SILICON	FINISH OBERFLÄCHE/FARBE	-					
	CHK	23.08.89	TE Connectivity								
TOLERANCES UNLESS OTHERWISE SPECIFIED: ALLGEMEINTOLERANZEN	APVD	-					NAME				
	PRODUCT SPEC PRODUKTSPEZ.	-	Einzeldichtung (DIA 8.2)								
	APPLICATION SPEC VERARBEITUNGSSPEZ.	weiß	SIZE	CAGE CODE	DRAWING NO ZEICHNUNGS-NR.	RESTRICTED TO NUR FUER					
0 PLC ± -	1 PLC ± 0.3	2 PLC ± -	3 PLC ± -	4 PLC ± -	ANGLES / WINKEL ± -	WEIGHT GEWICHT	-	A4	00779	C-963244	-
CUSTOMER DRAWING / KUNDENZEICHNUNG			SCALE MASSSTAB	5:1	SHEET BLATT	1 OF VON 1	REV	B1			



RELEASED FOR PUBLICATION
FREI FUER VERÖFFENTLICHUNG
ALL RIGHTS RESERVED.

THIS DRAWING IS UNPUBLISHED.
VERTRAULICHE UNVERÖFFENTLICHTE ZEICHNUNG.
COPYRIGHT - By -