



Chipsmall Limited consists of a professional team with an average of over 10 year of expertise in the distribution of electronic components. Based in Hongkong, we have already established firm and mutual-benefit business relationships with customers from,Europe,America and south Asia,supplying obsolete and hard-to-find components to meet their specific needs.

With the principle of "Quality Parts,Customers Priority,Honest Operation,and Considerate Service",our business mainly focus on the distribution of electronic components. Line cards we deal with include Microchip,ALPS,ROHM,Xilinx,Pulse,ON,Everlight and Freescale. Main products comprise IC,Modules,Potentiometer,IC Socket,Relay,Connector.Our parts cover such applications as commercial,industrial, and automotives areas.

We are looking forward to setting up business relationship with you and hope to provide you with the best service and solution. Let us make a better world for our industry!



Contact us

Tel: +86-755-8981 8866 Fax: +86-755-8427 6832

Email & Skype: info@chipsmall.com Web: www.chipsmall.com

Address: A1208, Overseas Decoration Building, #122 Zhenhua RD., Futian, Shenzhen, China

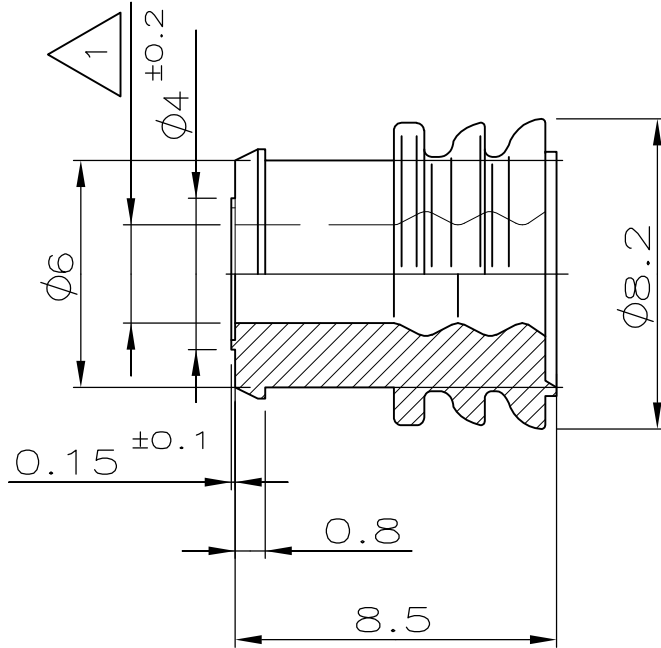
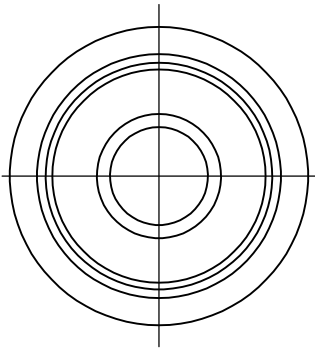


LOC	DIST	REVISIONS ÄNDERUNGEN DESCRIPTION BESCHREIBUNG			DATE	DWN	APVD
—	—	P	LTR				
		C1	REVISED PER ECO-11-005150		21MAR11	RK	HMR

NUMMER 963 245
 VERWENDET FÜR _
 WAR NR. 88-52108-10-3

VERTRAULICH

UNVERÖFFENTLICHTE ZEICHNUNG. ALLE RECHTE
 VORBEHALTEN. VERVIELFÄLTIGUNG UND WEITERGABE
 NUR MIT GENEHMIGUNG DURCH AMP DEUTSCHLAND GMBH



△ 1 Für Isolationsø 3.4-3.7 mm

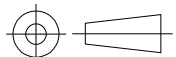
RELEASED FOR PUBLICATION
 FREI FÜR VERÖFFENTLICHUNG
 ALL RIGHTS RESERVED.
 VERTRAULICHE UNVERÖFFENTLICHTE ZEICHNUNG.
 THIS DRAWING IS UNPUBLISHED.
 ALL RIGHTS RESERVED.

CAD-ORIGINAL
 ZEICHNUNG NICHT ÄNDERN
 NICHT VERMASSTE KANTEN
 SIND NICHT MAßSTÄBLICH

0-0963245-1	C	SILICON SHORE A 50° lubriziert	gelb
BESTELL-NR.	REV.	WERKSTOFF	OBERFLÄCHE FARBE

ZEICHNUNG GÜLTIG AB

DIMENSIONS: MASSEINHEITEN mm TOLERANCES UNLESS OTHERWISE SPECIFIED: ALLGEMEINTOLERANZEN 0 PLC ± - 1 PLC ± 0.3 2 PLC ± - 3 PLC ± - 4 PLC ± - ANGLES / WINKEL ± -	DWN	30.10.90	MATERIAL	SILICON	FINISH OBERFLÄCHE/FARBE	-				
	CHK	31.10.90	TE Connectivity							
APVD	31.10.90									
PRODUCT SPEC PRODUKTSPEZ.			NAME							
APPLICATION SPEC VERARBEITUNGSSPEZ.			Einzeldichtung (DIA 8.2)							
WEIGHT GEWICHT		-	SIZE	A4	CAGE CODE	00779	DRAWING NO ZEICHNUNGS-NR.	C-963245	RESTRICTED TO NUR FUER	-



CUSTOMER DRAWING / KUNDENZEICHNUNG SCALE MASSSTAB 5:1 SHEET BLATT 1 OF VON 1 REV C1