



Chipsmall Limited consists of a professional team with an average of over 10 year of expertise in the distribution of electronic components. Based in Hongkong, we have already established firm and mutual-benefit business relationships with customers from,Europe,America and south Asia,supplying obsolete and hard-to-find components to meet their specific needs.

With the principle of "Quality Parts,Customers Priority,Honest Operation,and Considerate Service",our business mainly focus on the distribution of electronic components. Line cards we deal with include Microchip,ALPS,ROHM,Xilinx,Pulse,ON,Everlight and Freescale. Main products comprise IC,Modules,Potentiometer,IC Socket,Relay,Connector.Our parts cover such applications as commercial,industrial, and automotives areas.

We are looking forward to setting up business relationship with you and hope to provide you with the best service and solution. Let us make a better world for our industry!



Contact us

Tel: +86-755-8981 8866 Fax: +86-755-8427 6832

Email & Skype: info@chipsmall.com Web: www.chipsmall.com

Address: A1208, Overseas Decoration Building, #122 Zhenhua RD., Futian, Shenzhen, China



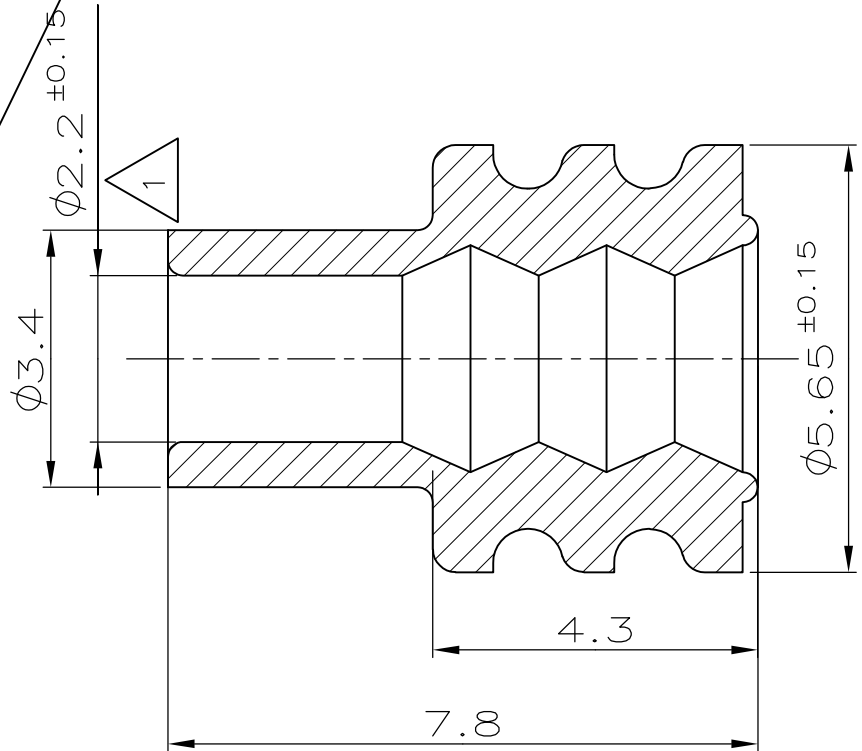
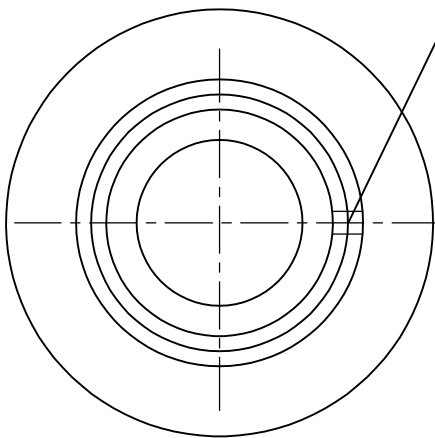
WAR NR. — PASSEND ZU —	LOC A	DIST —	REVISIONS ÄNDERUNGEN DESCRIPTION BESCHREIBUNG			DATE	DWN	APVD
VERWENDET FÜR			E3	REVISED PER ECO-11-005150		21MAR11	RK	HMR

ÄNDERUNGEN, DIE DEM TECHNISCHEN FORTSCHRITT DIENEN, BEHALTEN WIR UNS VOR



M1:1

wahlweise unterbrochen



1 Für Isolationsø 2.7–3.0mm
Leitungen: FLR 2.5mm²
FLK 1.5mm²

RELEASED FOR PUBLICATION
 FREI FÜR VERÖFFENTLICHUNG
 ALL RIGHTS RESERVED.
 THIS DRAWING IS UNPUBLISHED.
 VERTRAULICHE UNVERÖFFENTLICHTE ZEICHNUNG.
 COPYRIGHT — By —

963292-1	SILIKON SHORE A 50° lubriziert	gelb
----------	--------------------------------------	------

BESTELL-NR.	WERKSTOFF	OBERFLÄCHE FARBE	ZEICHNUNG GÜLTIG AB
-------------	-----------	---------------------	---------------------

DIMENSIONS: MASSENEHTEIN mm	DWN R. Schäfer	16-Apr-96	MATERIAL SILIKON	FINISH OBERFLÄCHE/FARBE	—
	CHK U. Münk	16-Apr-96	TE Connectivity		
TOLERANCES UNLESS OTHERWISE SPECIFIED: ALLGEMEINTOLERANZEN	APVD	—			
0 PLC ± —	PRODUCT SPEC PRODUKTSPEZ.	—	für Flachkontakt u. Flachstecker 2,8mm (Junior-Power-Timer Kontaktsystem)		
1 PLC ± —	APPLICATION SPEC VERARBEITUNGSSPEZ.	—	SIZE	CAGE CODE	DRAWING NO ZEICHNUNGS-NR.
2 PLC ± 0.2 mm	WEIGHT GEWICHT	—	A4	00779	G-963292
3 PLC ± —	CUSTOMER DRAWING / KUNDENZEICHNUNG SCALE MASSSTAB 10:1(1:1)	RESTRICTED TO NUR FÜR	SHEET BLATT		1 OF 1 VON 1
4 PLC ± —			REV		E3
ANGLES / WINKEL ± —					

