



Chipsmall Limited consists of a professional team with an average of over 10 year of expertise in the distribution of electronic components. Based in Hongkong, we have already established firm and mutual-benefit business relationships with customers from,Europe,America and south Asia,supplying obsolete and hard-to-find components to meet their specific needs.

With the principle of “Quality Parts,Customers Priority,Honest Operation,and Considerate Service”,our business mainly focus on the distribution of electronic components. Line cards we deal with include Microchip,ALPS,ROHM,Xilinx,Pulse,ON,Everlight and Freescale. Main products comprise IC,Modules,Potentiometer,IC Socket,Relay,Connector.Our parts cover such applications as commercial,industrial, and automotives areas.

We are looking forward to setting up business relationship with you and hope to provide you with the best service and solution. Let us make a better world for our industry!



## Contact us

Tel: +86-755-8981 8866 Fax: +86-755-8427 6832

Email & Skype: info@chipsmall.com Web: www.chipsmall.com

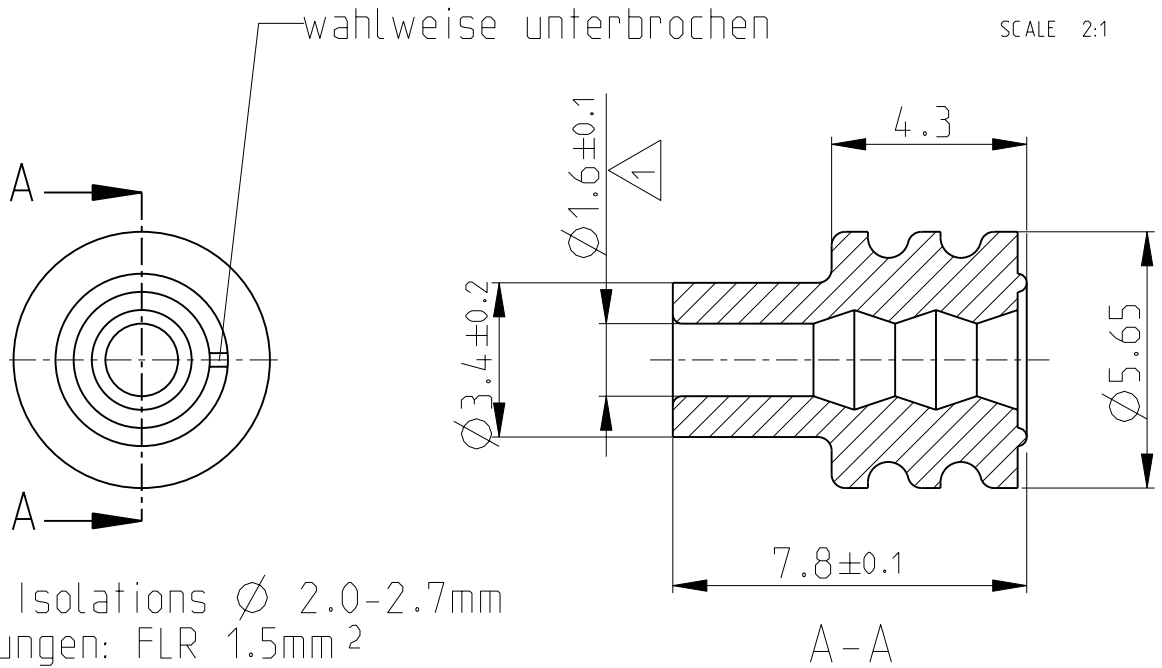
Address: A1208, Overseas Decoration Building, #122 Zhenhua RD., Futian, Shenzhen, China



LOC	DIST	REVISIONS				
P	LTR	DESCRIPTION	DATE	DWN	APVD	
AI	-					
Pr-No 87-9088	G2	REVISED PER ECO-11-005027	20MAR2011	RK	HMR	



SCALE 2:1



1 Für Isolations  $\varnothing$  2.0-2.7mm  
 Leitungen: FLR 1.5mm<sup>2</sup>  
 FLK 0.5-1.0mm<sup>2</sup>

963293-2	G	FLUOR-SILIKONKAUTSCHUK SHORE A 50°	rotbraun (~RAL 3011)
963293-1	F	SILIKONKAUTSCHUK SHORE A 50° lubriziert	braunrot (~RAL 3011)
BESTELL-NR.	REV.	WERKSTOFF	FARBE

19- RELEASED FOR PUBLICATION

ALL RIGHTS RESERVED.

THIS DRAWING IS UNPUBLISHED.

BY -

© COPYRIGHT 19-

DIMENSIONS: mm	DWN R.SCHÖFER 29JAN97	MATERIAL	SEE TABLE	FINISH	SEE TABLE
TOLERANCES UNLESS OTHERWISE SPECIFIED:	CHK U.MÜNCK 29JAN97	TE Connectivity			
0 PLC ±	APVD -				
1 PLC ±	PRODUCT SPEC	NAME SINGLE-WIRE-SEAL INSULDIA 2.0-2.7 EINZELLEITERDICHTUNG			
2 PLC ±0.2	108-18159-1	SIZE	CAGE CODE	DRAWING NO	RESTRICTED TO
3 PLC ±	APPLICATION SPEC	A 4	00779	©-963293	-
4 PLC ±0.000	114-18018				
ANGLES ±	WEIGHT ca. 0.1g	CUSTOMER DRAWING			
		SCALE	10:1	SHEET	1 OF 1
				REV	G2