



Chipsmall Limited consists of a professional team with an average of over 10 year of expertise in the distribution of electronic components. Based in Hongkong, we have already established firm and mutual-benefit business relationships with customers from,Europe,America and south Asia,supplying obsolete and hard-to-find components to meet their specific needs.

With the principle of “Quality Parts,Customers Priority,Honest Operation,and Considerate Service”,our business mainly focus on the distribution of electronic components. Line cards we deal with include Microchip,ALPS,ROHM,Xilinx,Pulse,ON,Everlight and Freescale. Main products comprise IC,Modules,Potentiometer,IC Socket,Relay,Connector.Our parts cover such applications as commercial,industrial, and automotives areas.

We are looking forward to setting up business relationship with you and hope to provide you with the best service and solution. Let us make a better world for our industry!



Contact us

Tel: +86-755-8981 8866 Fax: +86-755-8427 6832

Email & Skype: info@chipsmall.com Web: www.chipsmall.com

Address: A1208, Overseas Decoration Building, #122 Zhenhua RD., Futian, Shenzhen, China



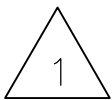
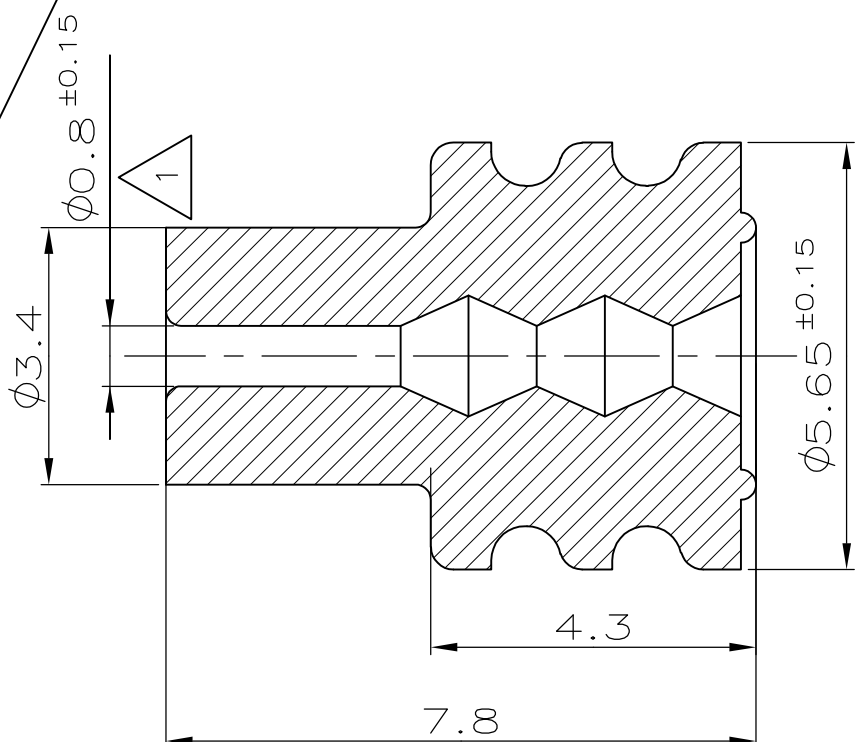
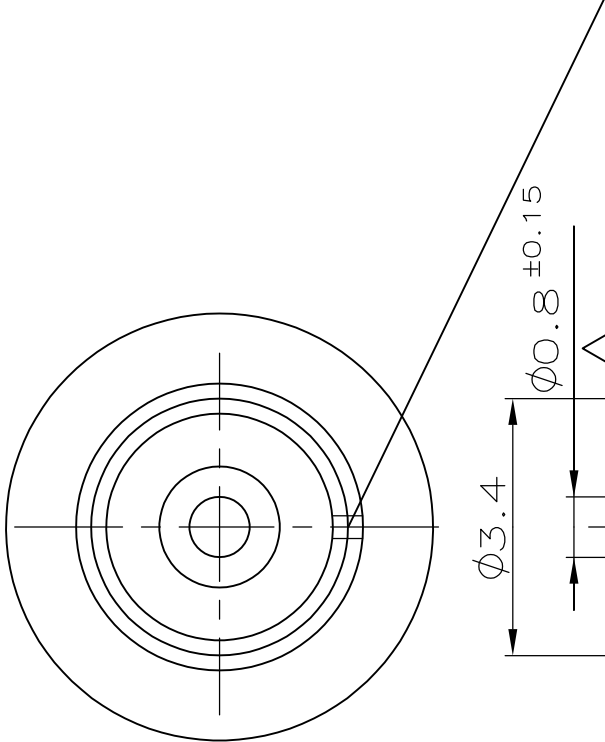
WAR NR. —	LOC	DIST	REVISIONS ÄNDERUNGEN DESCRIPTION BESCHREIBUNG			DATE	DWN	APVD
PASSEND ZU —	A1	—	P	LTR				
VERWENDET FÜR —			E2	REVISED PER ECO-11-005150		21MAR11	RK	HMR

ÄNDERUNGEN, DIE DEM
TECHNISCHEN FORT-
SCHRITT DIENEN, BE-
HALTEN WIR UNS VOR



M 1:1

wahlweise unterbrochen



Für Isolations ϕ 1.2–2.1mm
Leitungen: FLR 0.35–1.0mm²
FLK 0.35mm²

RELEASED FOR PUBLICATION
 FREI FÜR VERÖFFENTLICHUNG
 ALL RIGHTS RESERVED.
 THIS DRAWING IS UNPUBLISHED.
 VERTRAULICHE UNVERÖFFENTLICHTE ZEICHNUNG.
 COPYRIGHT — By —

963294-1	SILIKON SHORE A 50° lubriziert	blau
BESTELL-NR.	WERKSTOFF	OBERFLÄCHE FARBE

ZEICHNUNG GÜLTIG AB

DIMENSIONS: MASSENHHEITEN mm	DWN	16-Apr-96	MATERIAL	SILIKON	FINISH OBERFLÄCHE/FARBE	—
	CHK	16-Apr-96	TE Connectivity			
TOLERANCES UNLESS OTHERWISE SPECIFIED: ALLGEMEINTOLERANZEN	APVD	—				
	0 PLC	± —	Einzelleiterdichtung			
1 PLC	± 0.2 mm	PRODUCT SPEC PRODUKTSPEZ.	Fuer Flachkontakt u. Flachstecker 2,8mm(Junior-Power-Timer Kontaktsystem)			
2 PLC	± —	APPLICATION SPEC VERARBEITUNGSSPEZ.	SIZE	CAGE CODE	DRAWING NO ZEICHNUNGS-NR.	RESTRICTED TO NUR FUER
3 PLC	± —	WEIGHT GEWICHT	A4	00779	G-963294	—
4 PLC	± —		CUSTOMER DRAWING / KUNDENZEICHNUNG			
ANGLES / WINKEL	± —	SCALE MASSSTAB		—	SHEET BLATT	1 OF 1 VON 1
		REV E2				